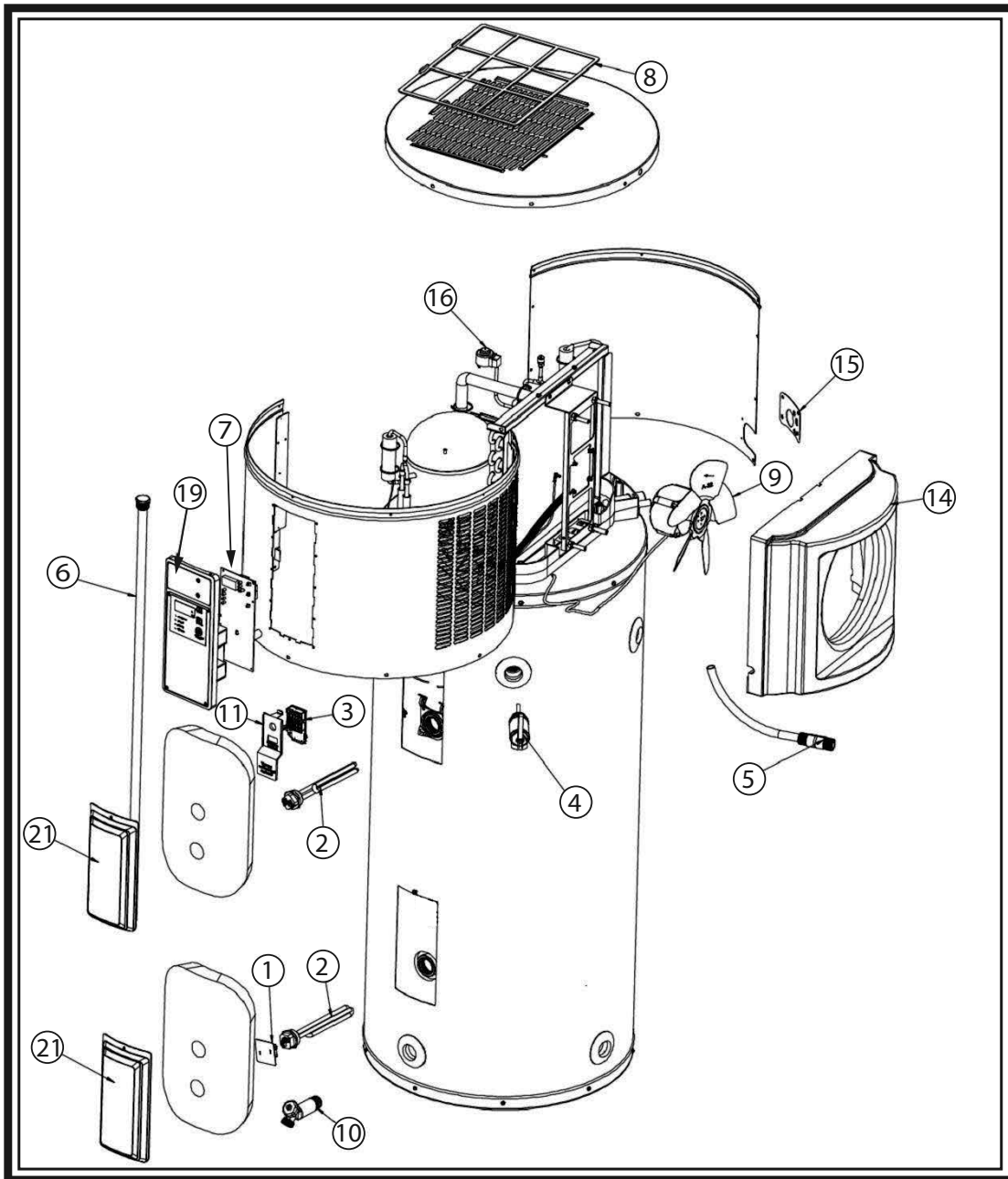


ELECTRIC

RESIDENTIAL WATER HEATER PARTS LIST

**MODELS: HPA050KD
 HPA066KD
 HPA080KD**



Item Description

HPA050KD, HPA066KD, HPA080KD

1.....	Element Access Cover	9003900005
2.....	Element (4500W)	9000092015
3.....	Energy Cut-Off Switch (ECO)	9008167015
4.....	T&P Relief Valve	9000728015
5.....	Dip Tube (at Hot Water Outlet).....	9008848005
6.....	Magnesium Anode (Optional for 50 and 66 gallon models).....	183463-036
7.....	Controller.....	9008849005
8.....	Air Filter.....	9008850005
9.....	Fan Motor.....	9008851005
10.....	Drain Valve - Brass - 2 inch.....	9001870015
11.....	Personnel Protector	319378-000
12.....	Ambient / Discharge / Coil Temperature Sensor Assembly*.....	9008852005
13.....	Upper / Lower Temperature Sensor Assembly*	9008853005
14.....	Fan Shroud	325962-000
15.....	Condensate Drain Connection Cover	325947-000
16.....	Electronic Expansion Valve Coil.....	9008854005
17.....	Start Capacitor*.....	9008855005
18.....	Condensation Pump Wiring Harness*.....	325876-000
19.....	Smart Grid Cover	319687-000
20.....	Relay Kit*	325546-000
21.....	Element Access Panel	186872-000
22.....	Magnesium Anode (Optional for 66 and 80 gallon models)*.....	183463-014
23.....	Magnesium Anode (Optional for 80 gallon model)*.....	183463-042

* Item not shown



HIGH EFFICIENCY BOILERS & WATER HEATERS

Lochinvar LLC

300 Maddox Simpson Pkwy, Lebanon, TN 37090.

1-615-889-8900

www.lochinvar.com