

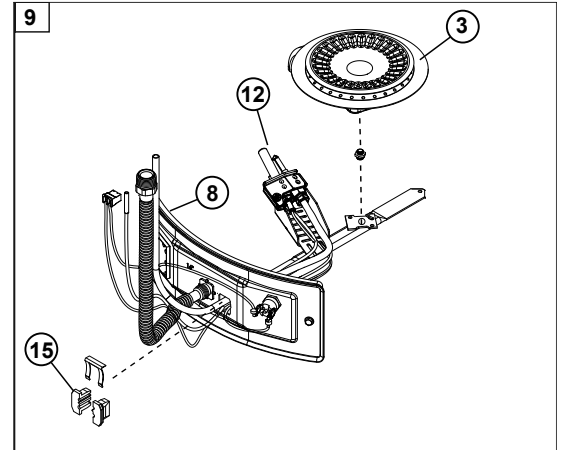
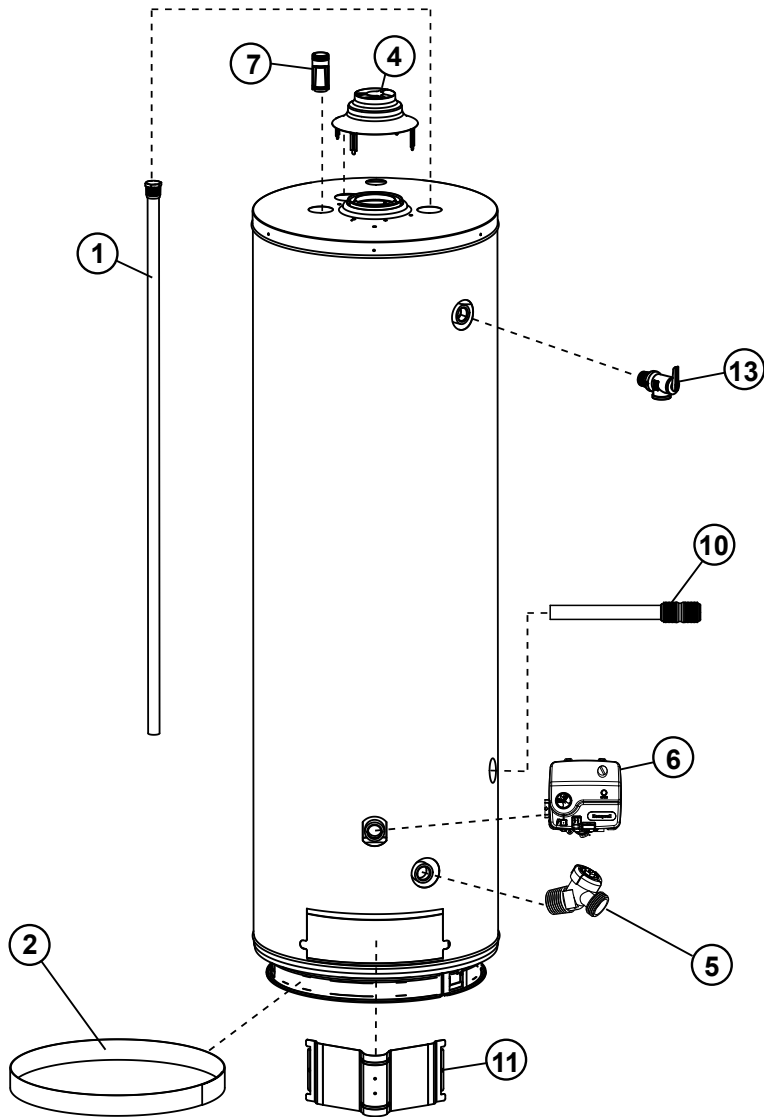


Lochinvar[®]

HIGH EFFICIENCY BOILERS & WATER HEATERS
Lochinvar Parts & Service Department
300 Maddox Simpson Pkwy, Lebanon, TN 37090.
Phone: 615-889-8900 • Fax: 615-882-2918
Email: parts_team@lochinvar.com

GAS

RESIDENTIAL MOBILE HOME WATER HEATER PARTS LIST
MODELS: MFN03035, MFN04035
Series 400



Lochinvar LLC
300 Maddox Simpson Pkwy, Lebanon, TN 37090.
1-615-889-8900
www.lochinvar.com

ITEM	DESCRIPTION	MF(N,L)03035	MF(N,L)04035
		Series 400	Series 400
1	Anode Rod (Aluminum)	9000029005	9000029005
2	Base-Ring Filter	9006616005	9006616005
3	Burner Head (Natural)	9006136005	9006136005
3	Burner Head (L.P.) *	9006651005	9006651005
4	Draft Hood	9006647005	9006647005
5	Drain Valve	9009084015	9009084015
6	Gas Control Valve/Thermostat NAT/LP - Convertible	9008101005	9008101005
7	Heat Trap/Dip Tube Combo	9000415015	9000415015
8	Inner Door Gasket	9006141015	9006141015
9	Manifold Door Assembly - Natural: Contains: Manifold Tube, Gasket, Door, Pilot Tube, Thermopile, Manifold Component Block, Thermal Switch, Burner Head, Burner Orifice and Pilot Assembly.	9008544005	9008707005
9	Manifold Door Assembly - L.P.: Contains: Manifold Tube, Gasket, Door, Pilot Tube, Thermopile, Manifold Component Block, Thermal Switch, Burner Head, Burner Orifice and Pilot Assembly.	9008545005	9008546005
10	Inlet Tube w/Heat Trap	9009195005	9009196005
11	Outer Door	9006648005	9006648005
12	Pilot Assembly w/ Tubing and Fittings (Natural)	9008842005	9008842005
12	Pilot Assembly w/ Tubing and Fittings (L.P.)	9007877005	9007877005
13	T & P Relief Valve	9000728015	9000728015
14	Thermopile*	9007872005	9007872005
15	Manifold Component Block w/ Clip	9006449015	9006449015

*Not Illustrated



Lochinvar[®]
HIGH EFFICIENCY BOILERS & WATER HEATERS

Lochinvar LLC
300 Maddox Simpson Pkwy, Lebanon, TN 37090.
1-615-889-8900
www.lochinvar.com