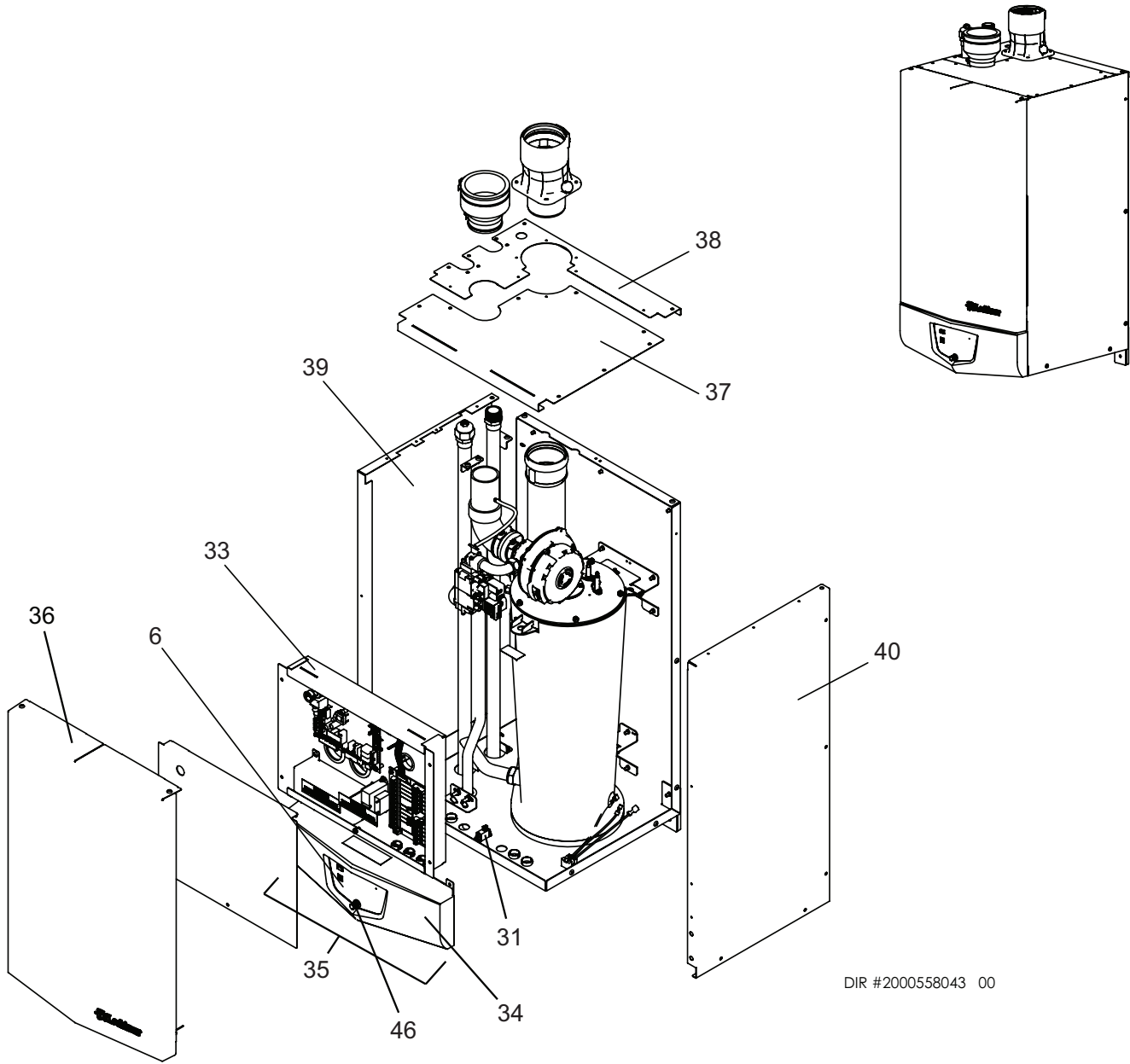




# Replacement Parts List

**PARTS & SERVICE DEPARTMENT**  
Nashville, Tennessee  
877-554-5544 • Fax: 615-882-2918  
parts\_team@lochinvar.com  
www.Lochinvar.com

## **Knight** **Wall Mount Boilers** **WHB 55 thru 399** **Series 100 & 101**



DIR #2000558043 00



ITEM NO.	PART NO.	DESCRIPTION	MODEL
<b>HEAT EXCHANGER ASSEMBLY</b>			
1	100266940	HEAT EXCHANGER - ASME - H STAMP - 55 MBH	WHB 055
1	100266951	HEAT EXCHANGER - ASME - H STAMP - 85 MBH	WHB 085
1	100266953	HEAT EXCHANGER - ASME - H STAMP - 110 MBH	WHB 110
1	100266958	HEAT EXCHANGER - ASME - H STAMP - 155 MBH	WHB 155
1	100266959	HEAT EXCHANGER - ASME - H STAMP - 199 MBH	WHB 199
1	100266971	HEAT EXCHANGER - ASME - H STAMP - 285 MBH	WHB 285
1	100147340	HEAT EXCHANGER - ASME - H STAMP - 399 MBH	WHB 399
2	100268111	HEAT EXCHANGER TOP PLATE ASSEMBLY	WHB 055 - 085
2	100268112	HEAT EXCHANGER TOP PLATE ASSEMBLY	WHB 110 - 155
2	100268113	HEAT EXCHANGER TOP PLATE ASSEMBLY	WHB 199 - 285
2	100173754	HEAT EXCHANGER TOP PLATE ASSEMBLY	WHB 399
<b>CONTROLS &amp; ELECTRICAL COMPONENTS</b>			
3	<b>100277940*</b>	LOW VOLTAGE CONNECTION BOARD	ALL
4	<b>100304134*</b>	MAIN CONTROL BOARD	WHB 055
4	<b>100304135*</b>	MAIN CONTROL BOARD	WHB 085
4	<b>100304136*</b>	MAIN CONTROL BOARD	WHB 110
4	<b>100304137*</b>	MAIN CONTROL BOARD	WHB 155
4	<b>100304138*</b>	MAIN CONTROL BOARD	WHB 199
4	<b>100304140*</b>	MAIN CONTROL BOARD	WHB 285
4	<b>100304165*</b>	MAIN CONTROL BOARD	WHB 399
4	100304141	MAIN CONTROL BOARD, HIGH ALTITUDE	WHB 055
4	100304142	MAIN CONTROL BOARD, HIGH ALTITUDE	WHB 085
4	100304144	MAIN CONTROL BOARD, HIGH ALTITUDE	WHB 110
4	100304145	MAIN CONTROL BOARD, HIGH ALTITUDE	WHB 155
4	100304116	MAIN CONTROL BOARD, HIGH ALTITUDE	WHB 199
4	100304117	MAIN CONTROL BOARD, HIGH ALTITUDE	WHB 285
4	100304167	MAIN CONTROL BOARD, HIGH ALTITUDE	WHB 399
5	<b>100304118*</b>	USER INTERFACE CONTROL	ALL
6	100304185	LABEL, USER INTERFACE OVERLAY	ALL
7	100208230	TRANSFORMER, 120 X 24V, 40VA, 60HZ	ALL
-	<b>100208808*</b>	FUSE, TIME DELAY, 1.25A, 250V, CLASS T	ALL
-	<b>100208231*</b>	FUSE, TIME DELAY, 3.15A, 250V, CLASS T	ALL
-	<b>100290102*</b>	FUSE, TIME DELAY, 6.3A, 250V, CLASS T	ALL
-	<b>100304120*</b>	LINE VOLTAGE RECEPTACLE	ALL
<b>SENSORS</b>			
8	<b>100208560*</b>	SENSOR, IMMERSION / INLET	ALL
9	<b>100208547*</b>	SENSOR, IMMERSION / OUTLET	ALL
10	<b>100165930*</b>	SENSOR, FLAMES W/ GASKET & SCREWS	ALL
11	<b>100287156*</b>	SENSOR, FLUE TEMP W/ GROMMET	ALL
-	<b>100157775*</b>	SENSOR, SYSTEM W/ BULB WELL & SLEEVE	ALL
-	100208552	SENSOR, SYSTEM, T-STAT ONLY	ALL
-	100208569	BULB WELL, 1/4" NPT	ALL
-	<b>100208834*</b>	SENSOR KIT, OUTDOOR AIR	ALL
<b>GAS VALVES &amp; COMPONENTS</b>			
12	<b>100268028*</b>	GAS VALVE W/ FLANGE & SCREWS	WHB 055
12	<b>100268029*</b>	GAS VALVE W/ FLANGE & SCREWS	WHB 085
12	<b>100268030*</b>	GAS VALVE W/ FLANGE & SCREWS	WHB 110
12	<b>100268031*</b>	GAS VALVE W/ FLANGE & SCREWS	WHB 155
12	<b>100268032*</b>	GAS VALVE W/ FLANGE & SCREWS	WHB 199
12	<b>100268033*</b>	GAS VALVE W/ FLANGE & SCREWS	WHB 285
12	<b>100171950*</b>	GAS VALVE W/ VENTURI & LP ORIFICE	WHB 399
13	100275534	FLANGE, GAS VALVE W/ GASKET	WHB 055 - 285
13	100287896	FLANGE, GAS VALVE W/ GASKET	WHB 399
14	100287150	ADAPTER, GAS VALVE UNION W/ GASKET	ALL
15	100287149	VENTURI W/ GASKETS - NATURAL	WHB 055 - 085
15	100287147	VENTURI W/ GASKETS - NATURAL	WHB 110
15	100287145	VENTURI W/ GASKETS - NATURAL	WHB 155
15	100287143	VENTURI W/ GASKETS - NATURAL	WHB 199
15	100287142	VENTURI W/ GASKETS - NATURAL	WHB 285
15	100287130	VENTURI W/ GASKETS - LP	WHB 055

PLEASE HAVE MODEL AND SERIAL NUMBER WHEN ORDERING PARTS  
\*ITEMS DENOTE SUGGESTED INVENTORY PARTS

ITEM NO.	PART NO.	DESCRIPTION	MODEL
<b>GAS VALVE &amp; COMPONENTS (CONTINUED)</b>			
15	100287129	VENTURI W/ GASKETS - LP	WHB 085
15	100287127	VENTURI W/ GASKETS - LP	WHB 110
15	100287126	VENTURI W/ GASKETS - LP	WHB 155
15	100287124	VENTURI W/ GASKETS - LP	WHB 199
15	100287123	VENTURI W/ GASKETS - LP	WHB 285
16	100275550	COUPLING, VENTURI W/ CLAMPS	WHB 055 - 199
16	100287122	COUPLING, VENTURI W/ CLAMPS	WHB 285 - 399
17	100287121	COUPLING, AIR INLET - 2"	WHB 055 - 085
17	100275561	COUPLING, AIR INLET - 3"	WHB 110 - 285
17	100287120	COUPLING, AIR INLET - 4"	WHB 399
-	100208326	HOSE BARB, BRASS, 10 32 X 1/8 NPT	ALL
18	100287118	ELBOW, AIR INLET	WHB 055 - 155
18	100287117	ELBOW, AIR INLET	WHB 110
18	100287116	ELBOW, AIR INLET	WHB 199
18	100287115	ELBOW, AIR INLET	WHB 285
18	100287114	ELBOW, AIR INLET	WHB 399
-	100287025	AIR SHUTTER W/ GASKETS - LP	WHB 055 - 085
-	100287022	AIR SHUTTER W/ GASKETS - LP	WHB 110
-	100287020	AIR SHUTTER W/ GASKETS - LP	WHB 155
-	100284239	AIR SHUTTER W/ GASKETS - LP	WHB 199 - 285
-	100287017	ORIFICE, VALVE - LP	WHB 110
-	100287011	ORIFICE, VALVE - LP	WHB 155 - 199
<b>IGNITION &amp; BURNER ASSEMBLIES</b>			
19	<b>100165925*</b>	IGNITOR, SPARK W/ GASKET	ALL
20	100267965	MAIN BURNER ASSEMBLY, 55 - 85K BTU MODELS	WHB 055 - 085
20	100267967	MAIN BURNER ASSEMBLY, 110 - 155K BTU MODELS	WHB 110 - 155
20	100267968	MAIN BURNER ASSEMBLY, 199 - 285K BTU MODELS	WHB 199 - 285
20	100135269	MAIN BURNER ASSEMBLY, 399K BTU MODELS	WHB 399
21	100287088	INSULATION, BURNER / TOP PLATE	WHB 055 - 085
21	100287087	INSULATION, BURNER / TOP PLATE	WHB 110 - 155
21	100287086	INSULATION, BURNER / TOP PLATE	WHB 199 - 285
21	100287085	INSULATION, BURNER / TOP PLATE	WHB 399
<b>FAN ASSEMBLIES</b>			
22	<b>100266999*</b>	FAN ASSEMBLY W/ GASKETS, 120V, 60HZ	WHB 055 - 155
22	<b>100275531*</b>	FAN ASSEMBLY W/ GASKETS, 120V, 60HZ	WHB 199 - 399
<b>GASKETS &amp; GASKET KITS</b>			
23	100208091	GASKET, FLAME SENSOR	ALL
-	100208321	GROMMET, FLUE SENSOR	ALL
-	100275538	GASKET, GAS VALVE	ALL
24	100208086	GASKET, SPARK IGNITOR	ALL
25	<b>100287111*</b>	GASKET, HEAT EXCHANGER TOP PLATE	WHB 055 - 085
25	<b>100287096*</b>	GASKET, HEAT EXCHANGER TOP PLATE	WHB 110 - 155
25	<b>100287094*</b>	GASKET, HEAT EXCHANGER TOP PLATE	WHB 199 - 285
26	<b>100287092*</b>	GASKET, BURNER	WHB 055 - 085
26	<b>100287091*</b>	GASKET, BURNER	WHB 110 - 155
26	<b>100287090*</b>	GASKET, BURNER	WHB 199 - 285
26	<b>100278095*</b>	GASKET SET, BURNER, HEAT EXCHANGER, SIGHT GLASS - LOWER	WHB 399
27	100275564	GASKET, SIGHT GLASS - UPPER	WHB 055 - 285
27	100233667	GASKET, SIGHT GLASS - UPPER	WHB 399
28	100275566	GASKET, SIGHT GLASS - LOWER	WHB 055 - 285
29	<b>100208101*</b>	GASKET, FAN	ALL
30	<b>100277743*</b>	GASKET, VENTURI	WHB 055 - 155
30	<b>100208761*</b>	GASKET, VENTURI	WHB 199 - 399
-	100287071	GASKET, WATER PIPE - 1"	WHB 055 - 155
-	100278051	GASKET, WATER PIPE - 1-1/4"	WHB 199 - 285
-	100287067	GASKET, WATER PIPE - 1-1/2"	WHB 399
<b>SWITCHES</b>			
31	100208242	SWITCH, ON/OFF W/ I-O SYMBOL	ALL
32	100275533	SWITCH, GAS VALVE ON/OFF	ALL
<b>PLEASE HAVE MODEL AND SERIAL NUMBER WHEN ORDERING PARTS *ITEMS DENOTE SUGGESTED INVENTORY PARTS</b>			

ITEM NO.	PART NO.	DESCRIPTION	MODEL
<b>SWITCHES (CONTINUED)</b>			
33	100287155*	SWITCH, PRESSURE - 3.2" WC	WHB 055 - 155
33	100287154*	SWITCH, PRESSURE - 4.1" WC	WHB 199 - 399
<b>RELIEF, TEMP. &amp; PRESSURE, &amp; MISC. VALVES</b>			
-	100208449	RELIEF VALVE, PRESSURE, 3/4 MALE, 30 PSI, 510MBTU	WHB 055 - 285
-	100284289	RELIEF VALVE, PRESSURE, 3/4 FEMALE, 30 PSI, 510MBTU	WHB 399
-	100287083	VALVE, COIN VENT, 150 PSI	WHB 055 - 285
-	100167445	VALVE, AIR VENT, MANUAL	WHB 399
<b>WIRE HARNESES &amp; RIBBON CABLES</b>			
-	100304119	HARNESS, POWER	ALL
-	100286988	HARNESS, UNIT	WHB 055 - 285
-	100286987	HARNESS, UNIT	WHB 399
-	100276408	HARNESS, IGNITOR	ALL
-	100278061	HARNESS, FLAME SENSOR	ALL
-	100286981	HARNESS, CONNECTION BOARD	ALL
-	100276402	HARNESS, GAS VALVE	WHB 399
-	100276405	CABLE, RIBBON	ALL
<b>JACKET ASSEMBLY</b>			
34	100286959	BEZEL, DISPLAY	WHB 055 - 285
34	100278093	BEZEL, DISPLAY	WHB 399
35	100304184	DISPLAY BEZEL ASSEMBLY	WHB 055 - 285
35	100304161	DISPLAY BEZEL ASSEMBLY	WHB 399
36	100304189	JACKET, OUTER FRONT DOOR ASSEMBLY	WHB 055 - 285
36	100304148	JACKET, OUTER FRONT DOOR ASSEMBLY	WHB 399
37	100304196	JACKET, OUTER TOP FRONT	WHB 055 - 085
37	100304198	JACKET, OUTER TOP FRONT	WHB 110 - 155
37	100304199	JACKET, OUTER TOP FRONT	WHB 199
37	100304200	JACKET, OUTER TOP FRONT	WHB 285
37	100304150	JACKET, OUTER TOP FRONT	WHB 399
38	100304192	JACKET, OUTER TOP BACK	WHB 055 - 085
38	100304193	JACKET, OUTER TOP BACK	WHB 110 - 155
38	100304194	JACKET, OUTER TOP BACK	WHB 199
38	100304195	JACKET, OUTER TOP BACK	WHB 285
38	100304149	JACKET, OUTER TOP BACK	WHB 399
39	100286909	JACKET, LEFT SIDE PANEL	WHB 055 - 085
39	100286907	JACKET, LEFT SIDE PANEL	WHB 110 - 199
39	100286903	JACKET, LEFT SIDE PANEL	WHB 285
39	100304172	JACKET, LEFT SIDE PANEL	WHB 399
40	100286899	JACKET, RIGHT SIDE PANEL	WHB 055 - 085
40	100286897	JACKET, RIGHT SIDE PANEL	WHB 110 - 199
40	100286894	JACKET, RIGHT SIDE PANEL	WHB 285
40	100304147	JACKET, RIGHT SIDE PANEL	WHB 399
-	100304188	COVER PANEL, JUNCTION BOX	ALL
<b>PUMPS</b>			
-	100304109*	PUMP ASSEMBLY, 0-10 VDC, UPML, 1" FLANGE	WHB 055 - 155
-	100304110*	PUMP ASSEMBLY, 0-10 VDC, UPMXL, 1-1/4" FLANGE	WHB 199 - 285
-	100304162*	PUMP ASSEMBLY, 0-10 VDC, UPMXL, 1-1/2" FLANGE	WHB 399
-	100304131*	FLANGE KIT, 1" NPT, CAST IRON	WHB 055 - 155
-	100304132*	FLANGE KIT, 1-1/4" NPT, CAST IRON	WHB 199 - 285
-	100304186*	FLANGE KIT, 1-1/2" NPT, CAST IRON	WHB 399
<b>MISCELLANEOUS COMPONENTS</b>			
41	100189215*	SIGHT GLASS KIT	WHB 055 - 285
41	100163214*	SIGHT GLASS KIT	WHB 399
42	100287113	MIRROR, SIGHT GLASS	WHB 055 - 285
42	100287112	MIRROR, SIGHT GLASS	WHB 399
43	100287082	WATER TUBE, INLET, COP, 1"	WHB 055 - 085
43	100287080	WATER TUBE, INLET, COP, 1"	WHB 110 - 155
43	100287079	WATER TUBE, INLET, COP, 1-1/4"	WHB 199 - 285
43	100287078	WATER TUBE, INLET, COP, 1-1/2"	WHB 399
44	100287077	WATER TUBE, OUTLET, COP, 1"	WHB 055 - 085

PLEASE HAVE MODEL AND SERIAL NUMBER WHEN ORDERING PARTS  
\*ITEMS DENOTE SUGGESTED INVENTORY PARTS

ITEM NO.	PART NO.	DESCRIPTION	MODEL
<b>MISCELLANEOUS COMPONENTS (CONTINUED)</b>			
44	100287075	WATER TUBE, OUTLET, COP, 1"	WHB 110 - 155
44	100287074	WATER TUBE, OUTLET, COP, 1-1/4"	WHB 199 - 285
44	100287073	WATER TUBE, OUTLET, COP, 1-1/2"	WHB 399
-	100284286	CONDENSATE TRAP	ALL
-	100287066	PIPE, CONDENSATE TRAP	ALL
-	100304190	INSTALL KIT	WHB 055 - 155
-	100304191	INSTALL KIT	WHB 199 - 285
-	100304164	INSTALL KIT	WHB 399
-	100304106	ADAPTER, PVC TO POLYPROPYLENE - 2"	WHB 055 - 085
-	100304107	ADAPTER, PVC TO POLYPROPYLENE - 3"	WHB 110 - 285
-	100304169	ADAPTER, PVC TO POLYPROPYLENE - 4"	WHB 399
45	100304108	PIPE, FLUE, POLYPROPYLENE - 2"	WHB 055 - 085
45	100304187	PIPE, FLUE, POLYPROPYLENE - 3"	WHB 110 - 285
45	100304171	PIPE, FLUE, POLYPROPYLENE - 4"	WHB 399
46	100277824	KNOB, FLUTED W/ SKIRT	ALL
-	100286989	BRACKET, WALL MOUNT	ALL
-	100304133	HOSE BARB, 1/8 X 1/4 NPT, BRASS	ALL
-	100284284	ADAPTER, FLUE W/ ANALYZER PORT - 2"	WHB 055 - 085
-	100275600	ADAPTER, FLUE W/ ANALYZER PORT - 3"	WHB 110 - 285
-	100304170	ADAPTER, FLUE W/ ANALYZER PORT - 4"	WHB 399
-	100208152	GAUGE, T&P, 0-75 PSI, 50-320F, 2-1/2 X 3/8	ALL
-	100163203	BIRD SCREEN, SS - 2"	WHB 055 - 110
-	100163204	BIRD SCREEN, SS - 3"	WHB 155 - 285
-	100163205	BIRD SCREEN, SS - 4"	WHB 399
-	100268040	LP CONVERSION KIT	WHB 055
-	100268104	LP CONVERSION KIT	WHB 085
-	100285815	LP CONVERSION KIT	WHB 110
-	100285817	LP CONVERSION KIT	WHB 155
-	100285818	LP CONVERSION KIT	WHB 199
-	100268109	LP CONVERSION KIT	WHB 285
-	100159011	LP CONVERSION KIT	WHB 399
-	100157609	SIDEWALL VENT KIT - 2" DIA	WHB 055 - 110
-	100157610	SIDEWALL VENT KIT - 3" DIA	WHB 155 - 285
-	100157611	SIDEWALL VENT KIT - 4" DIA	WHB 399

**PLEASE HAVE MODEL AND SERIAL NUMBER WHEN ORDERING PARTS**  
**\*ITEMS DENOTE SUGGESTED INVENTORY PARTS**

# NOTES

