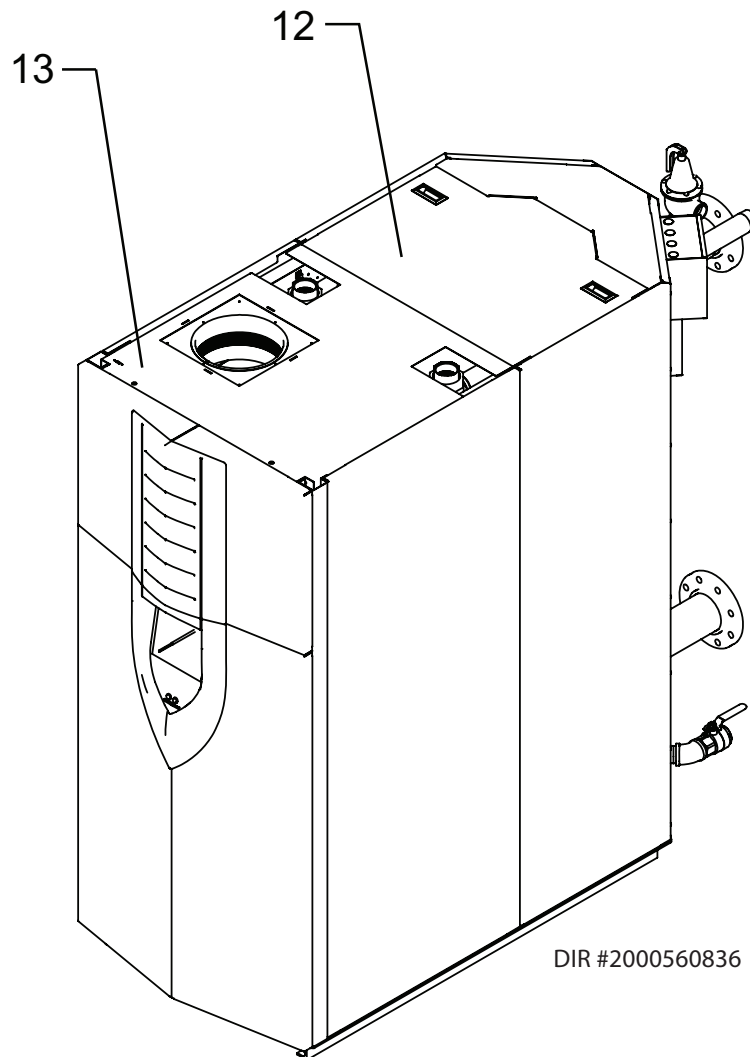




PARTS & SERVICE DEPARTMENT
Nashville, Tennessee
877-554-5544 • Fax: 615-882-2918
parts_team@lochinvar.com
www.Lochinvar.com

Dual Fuel Supplemental Replacement Parts List

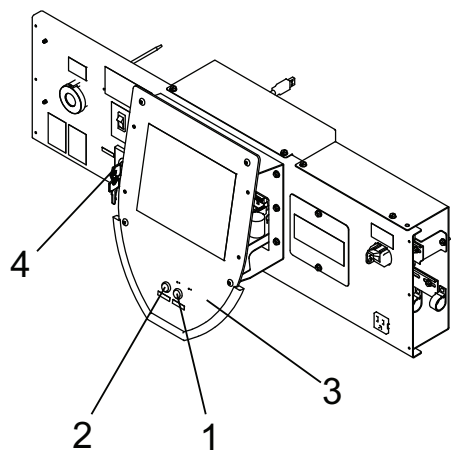
Crest®
Heating Boilers
FBD 2501 - 6001
Series 102



DIR #2000560836

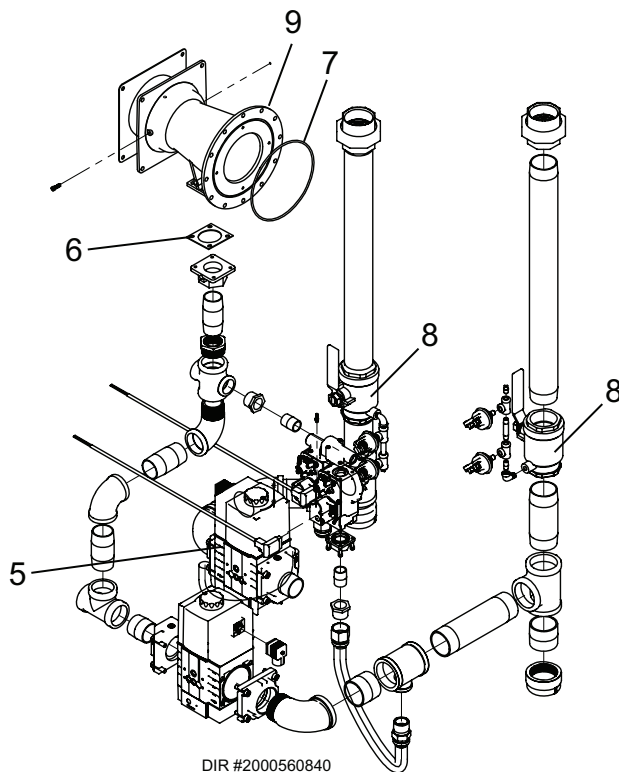
NOTE: Please reference the FBN(L) 2501 - 6001 replacement parts list (100306296) for additional replacement parts.

DISPLAY PANEL



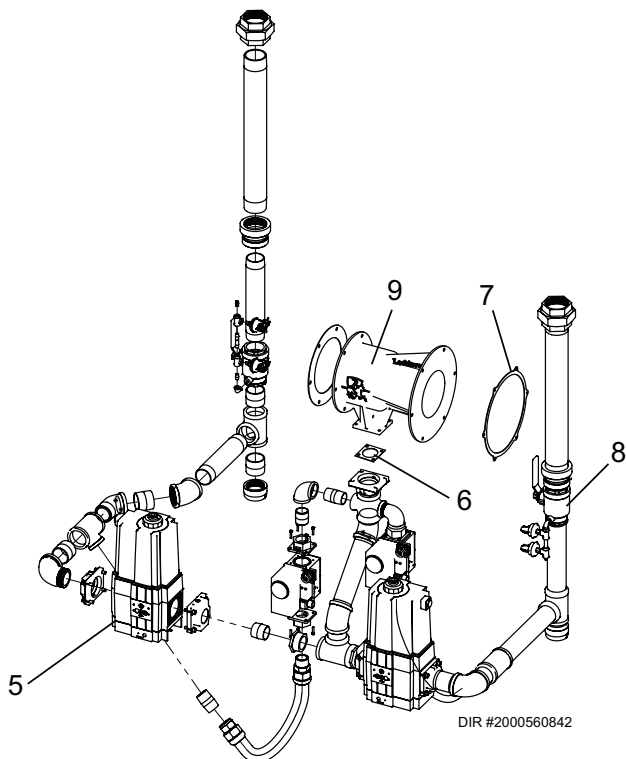
DIR #2000560839

GAS TRAIN 2500 - 3001



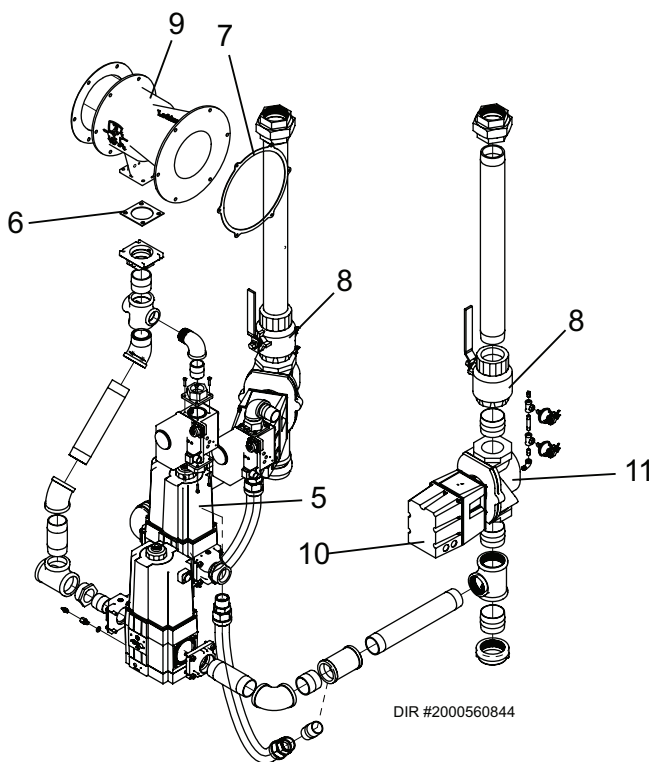
DIR #2000560840

GAS TRAIN 3501 - 5001



DIR #2000560842

GAS TRAIN 6001



DIR #2000560844

ITEM NO.	PART NO.	DESCRIPTION	MODEL
CONTROLS			
1	100289543	INDICATOR LIGHT, RED	ALL
2	100208316	INDICATOR LIGHT, GREEN	ALL
3	100294594	DISPLAY MOUNTING PLATE ASSEMBLY	ALL
4	100308936	WIRE HARNESS, SWITCH (KEY ASSEMBLY)	ALL
4	100300983	WIRE HARNESS, SWITCH (KEY ASSEMBLY)	ALL
GAS TRAIN ASSEMBLY			
5	100304951	GAS VALVE ASSEMBLY, LARGE	FBD2501 - 4001
5	100304954	GAS VALVE ASSEMBLY, LARGE	FBD5001 - 6001
5	100304952	GAS VALVE ASSEMBLY, SMALL	FBD2501 - 3001
5	100304953	GAS VALVE ASSEMBLY, SMALL	FBD3501, 5001, 6001
5	100304955	GAS VALVE ASSEMBLY, SMALL	FBD4001
6	100208105*	GASKET, FLANGE VENTURI	FBD2501 - 3501
7	100233698*	GASKET, FAN/VENTURI	FBD2501 - 3501
7	100309140*	GASKET, FAN/VENTURI	FBD4001 - 6001
8	100277774	GAS CUT OFF VALVE 2"	FBD2501 - 5001
8	100288525	GAS CUT OFF VALVE 2 1/2"	FBD6001
9	100113070	VALVE, VENTURI	FBD2501 - 3501
9	100306265	VALVE, VENTURI	FBD4001 - 6001
10	100289680	VALVE, PROOF OF CLOSURE	FBD6001
11	100289691	VALVE, ACTUATOR, PROOF OF CLOSURE	FBD6001
JACKET ASSEMBLIES			
12	100153170	JACKET, OUTER TOP FRONT	FBD2501 - 3001
13	100308970	JACKET, OUTER TOP FRONT	FBD3501
13	100308971	JACKET, OUTER TOP FRONT	FBD4001
13	100308972	JACKET, OUTER TOP FRONT	FBD5001
13	100309181	JACKET, OUTER TOP FRONT	FBD6001
<p>PLEASE HAVE MODEL AND SERIAL NUMBER WHEN ORDERING PARTS *ITEMS DENOTE SUGGESTED INVENTORY PARTS</p>			

