

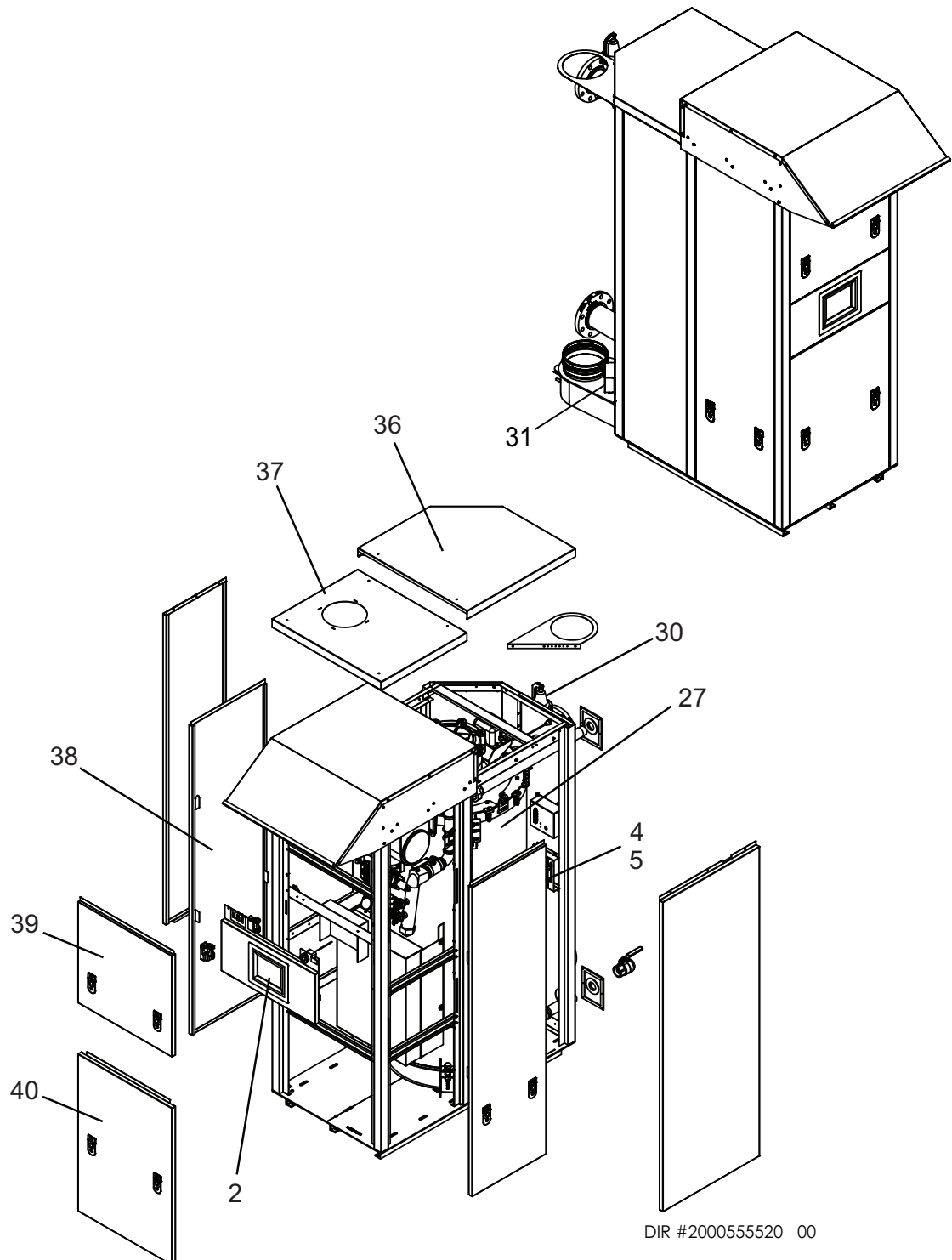


Lochinvar[®]
HIGH EFFICIENCY BOILERS & WATER HEATERS

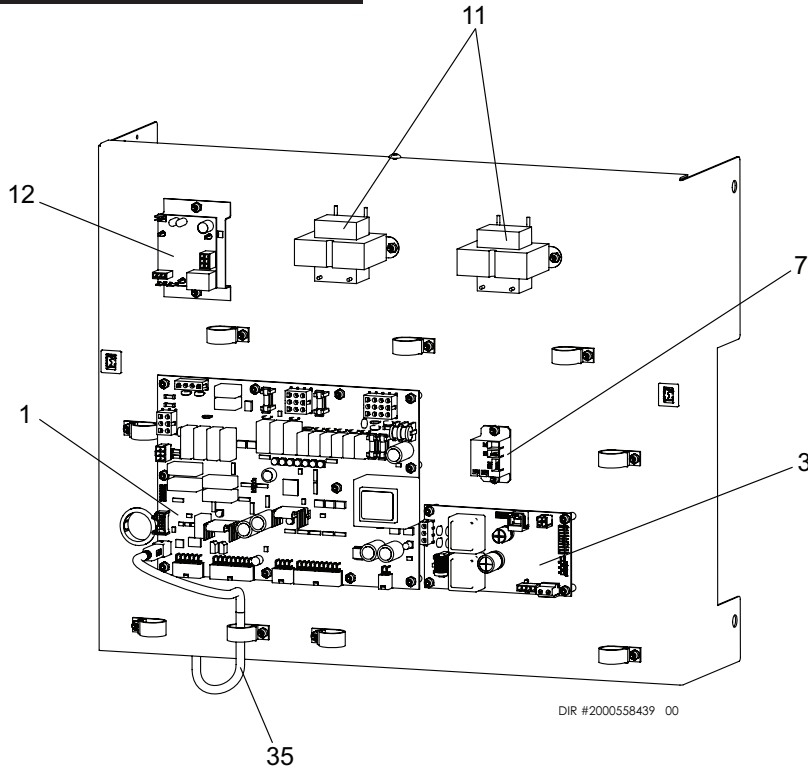
PARTS & SERVICE DEPARTMENT
Nashville, Tennessee
877-554-5544 • Fax: 615-882-2918
parts_team@lochinvar.com
www.Lochinvar.com

Replacement Parts List

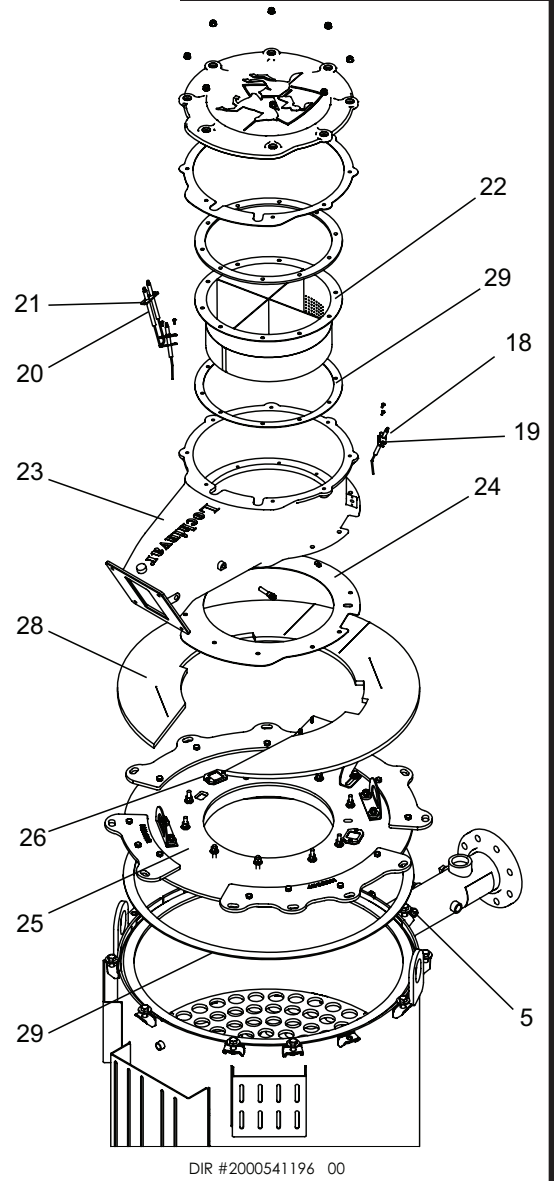
Outdoor Crest[®]
Heating Boilers
OFN(L) 2501 - 6001



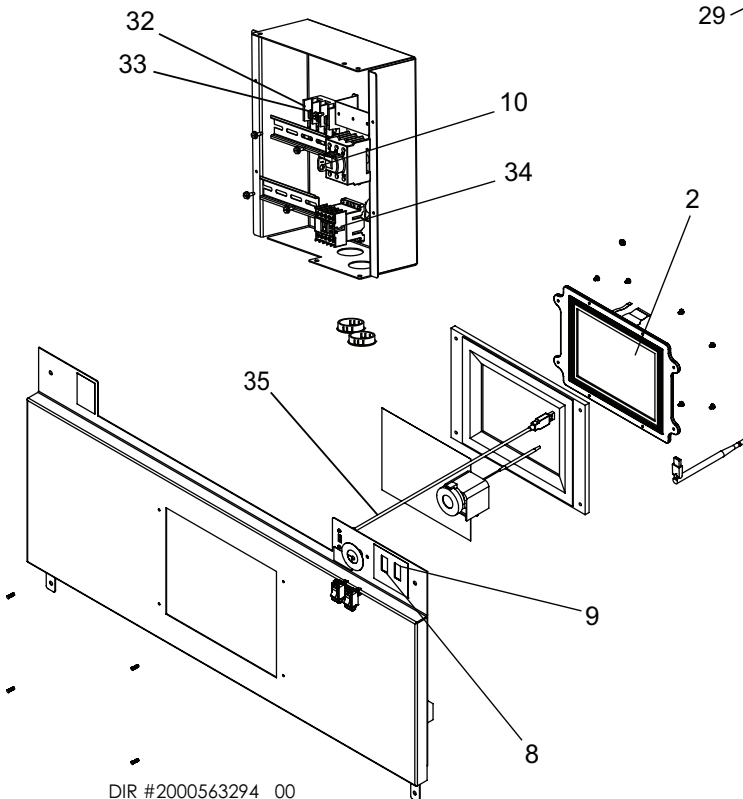
CONTROL PANEL



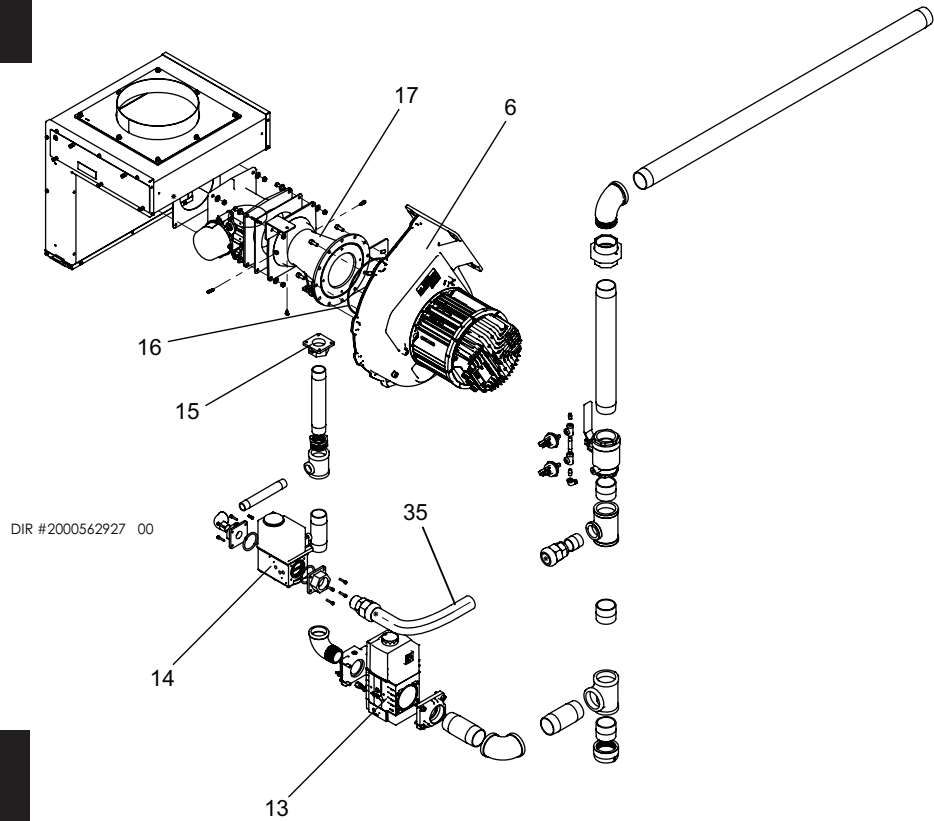
HEAT EXCHANGER



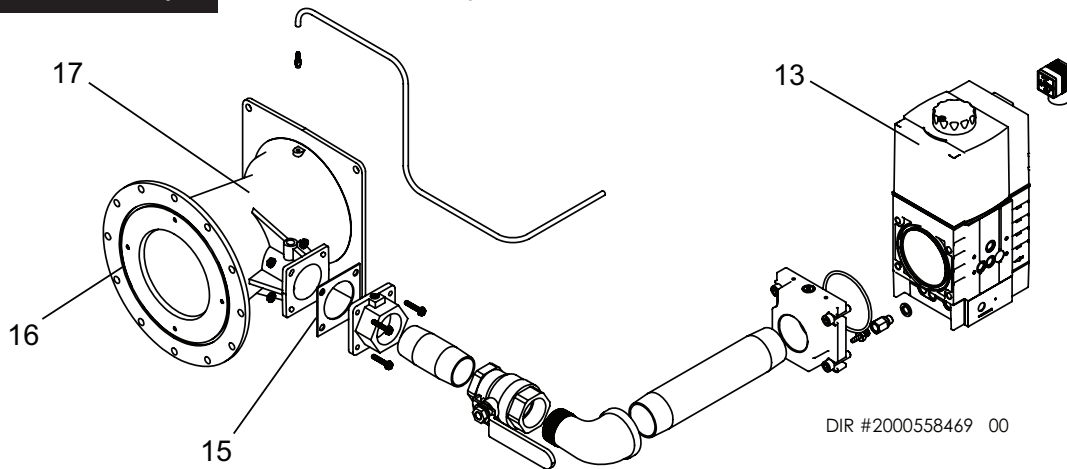
DISPLAY PANEL



**GAS TRAIN
(OFN/L 2501 - 3501)**



**GAS TRAIN
(OFN/L 4001 - 6001)**



ITEM NO.	PART NO.	DESCRIPTION	MODEL
CONTROLS			
1	100311033*	INTEGRATED CONTROL	OF 2501 - 3501
1	100313983*	INTEGRATED CONTROL	OF 4001 - 6001
2	100311038	DISPLAY INTERFACE ASSEMBLY	ALL
-	100311232	GASKET, USER INTERFACE DISPLAY	ALL
3	100275047	BACNET BOARD	ALL
-	100208481*	LOW VOLTAGE CONTROL BOARD	ALL
-	100208476*	LOW VOLTAGE CONTROL BOARD	ALL
4	100208552*	SENSOR, SYSTEM / INLET	ALL
-	100208557*	SENSOR, DUAL OUTLET	ALL
-	100208558	SENSOR, PREMIX THERMOSTAT LIMIT	ALL
-	100271315*	HIGH LIMIT	ALL
5	100233695*	BULB WELL, SYSTEM / INLET / OUTLET	ALL
-	100233613	BULB WELL, SENSOR, PREMIX TSTAT LIMIT	ALL
6	100144990	FAN ASSEMBLY	OF 2501 - 3501
6	100304907	FAN ASSEMBLY	OF 4001 - 6001

PLEASE HAVE MODEL AND SERIAL NUMBER WHEN ORDERING PARTS
*ITEMS DENOTE SUGGESTED INVENTORY PARTS

ITEM NO.	PART NO.	DESCRIPTION	MODEL
CONTROLS (CONTINUED)			
-	100274709*	GASKET, BLOWER	OF 2501 - 3501
-	100233698*	GASKET, VENTURI	OF 2501 - 3501
-	100304944*	GASKET, BURNER / FAN	OF 3501
-	100304945*	GASKET, BLOWER	OF 4001 - 6001
-	100208400*	PRESSURE SWITCH - 3.2" WATER COLUMN	ALL
-	100208399*	PRESSURE SWITCH - 5.0" WATER COLUMN	OF 2501 - 3501, 5001
-	100276801*	PRESSURE SWITCH - 6.2" WATER COLUMN	OF 4001 - 6001
7	100208509*	RELAY, 120VAC, 60HZ, 10.8 AMP	OF 4001 - 6001
8	100277797	MOMENTARY SWITCH, RED - 20 AMP, 125 VOLT	ALL
9	100277798	MOMENTARY SWITCH, BLACK - 20 AMP, 125 VOLT	ALL
10	100274739	SWITCH, DISCONNECT	ALL
11	100208230	TRANSFORMER, 24V, 40VA	ALL
-	100274743	TRANSFORMER, SPARK	ALL
12	100173747	LOW WATER CUT-OFF, MANUAL RESET	ALL
-	100277799	PROBE, LWCO	ALL
-	100277801	BOOT, LWCO	ALL
GAS TRAIN ASSEMBLY			
13	100304951	GAS VALVE ASSEMBLY - LARGE	OF 2501 - 4001
13	100304954	GAS VALVE ASSEMBLY - LARGE	OF 5001 - 6001
14	100304952	GAS VALVE ASSEMBLY - SMALL	OF 2501 - 3001
14	100304953	GAS VALVE ASSEMBLY - SMALL	OF 3501, 5001, 6001
14	100304955	GAS VALVE ASSEMBLY - SMALL	OF 4001
15	100208105*	GASKET, FLANGE VENTURI	OF 2501 - 3501
16	100233698*	GASKET, FAN / VENTURI	OF 2501 - 3501
16	100289441*	GASKET, FAN / VENTURI	OF 4001 - 6001
17	100274223	VENTURI ASSEMBLY	OF 2501 - 3501
17	100306265	VENTURI ASSEMBLY	OF 4001 - 6001
-	100289680	VALVE, PROOF OF CLOSURE	OF 6001
-	100289691	VALVE ACTUATOR, PROOF OF CLOSURE	OF 6001
PILOT & BURNER ASSEMBLIES			
18	100279407*	FLAME SENSOR W/ GASKET	ALL
19	100304988	GASKET, FLAME SENSOR	ALL
20	100304989*	IGNITOR W/ GASKET NOTE: PLEASE CONSULT FACTORY FOR 4001 MODELS	ALL
21	100305001	GASKET, IGNITOR	ALL
22	100305002	BURNER ASSEMBLY W/ GASKETS	OF 2501
22	100305003	BURNER ASSEMBLY W/ GASKETS	OF 3001
22	100305004	BURNER ASSEMBLY W/ GASKETS	OF 3501
22	100305005	BURNER ASSEMBLY W/ GASKETS	OF 4001
22	100305007	BURNER ASSEMBLY W/ GASKETS	OF 5001
22	100305006	BURNER ASSEMBLY W/ GASKETS	OF 6001
23	100305008	GAS / AIR MANIFOLD W/ GASKET	OF 2501 - 3501
23	100305009	GAS / AIR MANIFOLD W/ GASKET	OF 4001 - 6001
24	100305010*	GASKET, MANIFOLD	OF 2501 - 3501
24	100305011*	GASKET, MANIFOLD	OF 4001
25	100305012	HEAT EXCHANGER DOOR ASSEMBLY	OF 2501 - 3001
25	100305014	HEAT EXCHANGER DOOR ASSEMBLY	OF 3501
25	100305015	HEAT EXCHANGER DOOR ASSEMBLY	OF 4001
25	100305016	HEAT EXCHANGER DOOR ASSEMBLY	OF 5001
25	100305017	HEAT EXCHANGER DOOR ASSEMBLY	OF 6001
MISCELLANEOUS			
26	100311165	SIGHT GLASS KIT	ALL
-	100304818	FIBERBOARD, BURNER	OF 2501 - 3001
-	100304819	FIBERBOARD, BURNER	OF 3501

**PLEASE HAVE MODEL AND SERIAL NUMBER WHEN ORDERING PARTS
*ITEMS DENOTE SUGGESTED INVENTORY PARTS**

ITEM NO.	PART NO.	DESCRIPTION	MODEL
MISCELLANEOUS (CONTINUED)			
-	100304820	FIBERBOARD, BURNER	OF 4001
-	100304861	FIBERBOARD, BURNER	OF 5001
-	100304862	FIBERBOARD, BURNER	OF 6001
27	100304863	INSULATION, HEX WRAP	OF 2501 - 3001
27	100304865	INSULATION, HEX WRAP	OF 3501
27	100304866	INSULATION, HEX WRAP	OF 4001
27	100304867	INSULATION, HEX WRAP	OF 5001
27	100304864	INSULATION, HEX WRAP	OF 6001
28	100304868	INSULATION, HEX TOP	OF 2501 - 3001
28	100304869	INSULATION, HEX TOP	OF 3501
28	100304870	INSULATION, HEX TOP	OF 4001
28	100304871	INSULATION, HEX TOP	OF 5001
28	100304872	INSULATION, HEX TOP	OF 6001
29	100304873*	GASKET SET	OF 2501 - 3001
29	100304874*	GASKET SET	OF 3501
29	100304875*	GASKET SET	OF 4001
29	100304876*	GASKET SET	OF 5001
29	100304877*	GASKET SET	OF 6001
-	100233667	GASKET, SIGHT GLASS TOP	ALL
-	100296212	AIR INLET COVER	OF 2501 - 3501
-	100300992	AIR INLET COVER	OF 4001
-	100294193	AIR INLET COVER	OF 5001 - 6001
-	100289693	LCD HOLDER	ALL
30	100274781	PRESSURE RELIEF VALVE, 1-1/2" X 1-1/4", 50 PSI	OF 2501 - 3001
30	100274785	PRESSURE RELIEF VALVE, 1-1/2" X 2", 50 PSI	OF 3501
30	100274786	PRESSURE RELIEF VALVE, 2", 50 PSI	OF 4001 - 5001
30	100289694	PRESSURE RELIEF VALVE, 2" X 2-1/2", 50 PSI	OF 6001
-	100208153*	GAUGE, T&P, 0-75 PSI, 50-320F, 3", 1/2 NPT	ALL
31	100208561*	SENSOR, FLUE TEMP	ALL
-	100297143*	CONDENSATE TRAP	ALL
-	100304887	FLEX GAS PIPE - 1"	OF 2501 - 3001
-	100288457	FLEX GAS PIPE - 1 1/4"	OF 3501 - 6001
32	100277773	FUSE BLOCK - 480 VOLT, 30 AMP	ALL
33	100277805*	FUSE, 30A 480V CLASS G	ALL
34	100274738	CONTACTOR, RELAY	ALL
35	100277806	USB CABLE	ALL
-	100277807	GASKET, AIR INLET COVER	OF 2501
-	100277719	GASKET, AIR INLET COVER	OF 3001 - 3501
-	100277777	GASKET, AIR INLET COVER	OF 4001
-	100277778	GASKET, AIR INLET COVER	OF 5001 - 6001
-	100208807*	FUSE - 1.25 AMP / 250 VOLT	ALL
-	100208231*	FUSE - 3.15A / 250V	ALL
-	100208232*	FUSE - 5A / 250V	ALL
-	100208834	OUTDOOR AIR SENSOR	ALL
-	100277791	CONDENSATE HOSE, BRAIDED, 3/8"	ALL
-	100277792	CONDENSATE HOSE, BRAIDED, 1"	ALL
-	100277793	SILICONE TUBING, 1/4"	ALL
-	100208336	ALUMINUM TUBING, 1/4"	ALL
-	100232751*	DOOR CATCH	ALL
-	100208818*	DOOR STRIKE	ALL
-	100274737	ANTENNA, USB ADAPTER, WIRELESS	ALL
-	100289696	CABLE, USB 2.0 - 12"	ALL

**PLEASE HAVE MODEL AND SERIAL NUMBER WHEN ORDERING PARTS
*ITEMS DENOTE SUGGESTED INVENTORY PARTS**

ITEM NO.	PART NO.	DESCRIPTION	MODEL
MISCELLANEOUS (CONTINUED)			
-	100289697	CABLE, USB 2.0 - 60"	ALL
-	100288513	PANEL MOUNTING CABLE	ALL
JACKET ASSEMBLIES			
36	100313939	JACKET, TOP REAR	OF 2501 - 3001
36	100314665	JACKET, TOP REAR	OF 3501
36	100313940	JACKET, TOP REAR	OF 4001 - 5001
36	100313981	JACKET, TOP REAR	OF 6001
37	100313935	JACKET, TOP FRONT	OF 2501
37	100313936	JACKET, TOP FRONT	OF 3001
37	100314663	JACKET, TOP FRONT	OF 3501
37	100313937	JACKET, TOP FRONT	OF 4001
37	100314664	JACKET, TOP FRONT	OF 5001
37	100313938	JACKET, TOP FRONT	OF 6001
-	100314662	JACKET, TOP MIDDLE	OF 4001 - 5001
-	100313973	JACKET, TOP MIDDLE	OF 6001
38	100313956	JACKET, FRONT, LEFT & RIGHT SIDE	OF 2501 - 3001
38	100313958	JACKET, FRONT, LEFT & RIGHT SIDE	OF 3501 - 6001
39	100313952	JACKET, TOP DOOR	OF 2501 - 3001
39	100314666	JACKET, TOP DOOR	OF 3501
39	100313953	JACKET, TOP DOOR	OF 4001 - 5001
39	100313955	JACKET, TOP DOOR	OF 6001
40	100313948	JACKET, BOTTOM DOOR	OF 2501 - 3001
40	100314668	JACKET, BOTTOM DOOR	OF 3501
40	100313950	JACKET, BOTTOM DOOR	OF 4001 - 5001
40	100313951	JACKET, BOTTOM DOOR	OF 6001
PLEASE HAVE MODEL AND SERIAL NUMBER WHEN ORDERING PARTS *ITEMS DENOTE SUGGESTED INVENTORY PARTS			

NOTES

