



Lochinvar[®]
High Efficiency Water Heaters, Boilers and Pool Heaters

Lochinvar Parts & Service Department
300 Maddox Simpson Pkwy • Lebanon, TN
Phone: 615-889-8900 • Fax: 615-882-2918
E-mail: parts_team@lochinvar.com

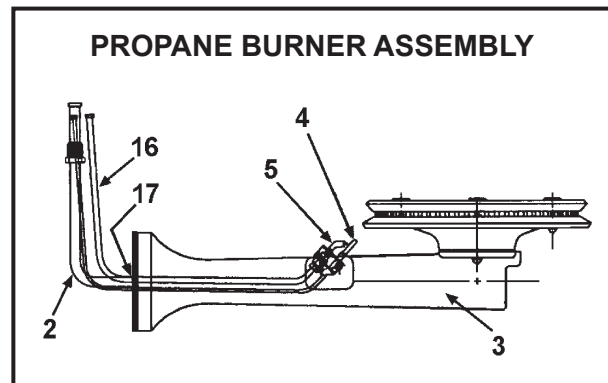
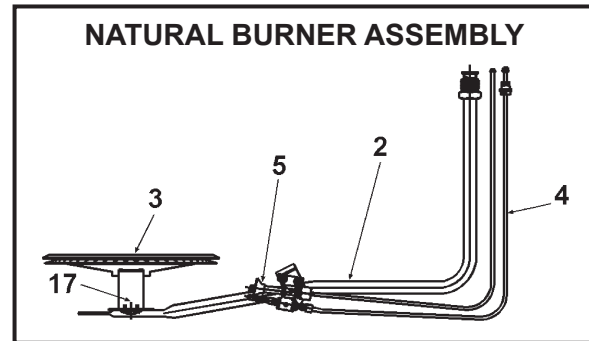
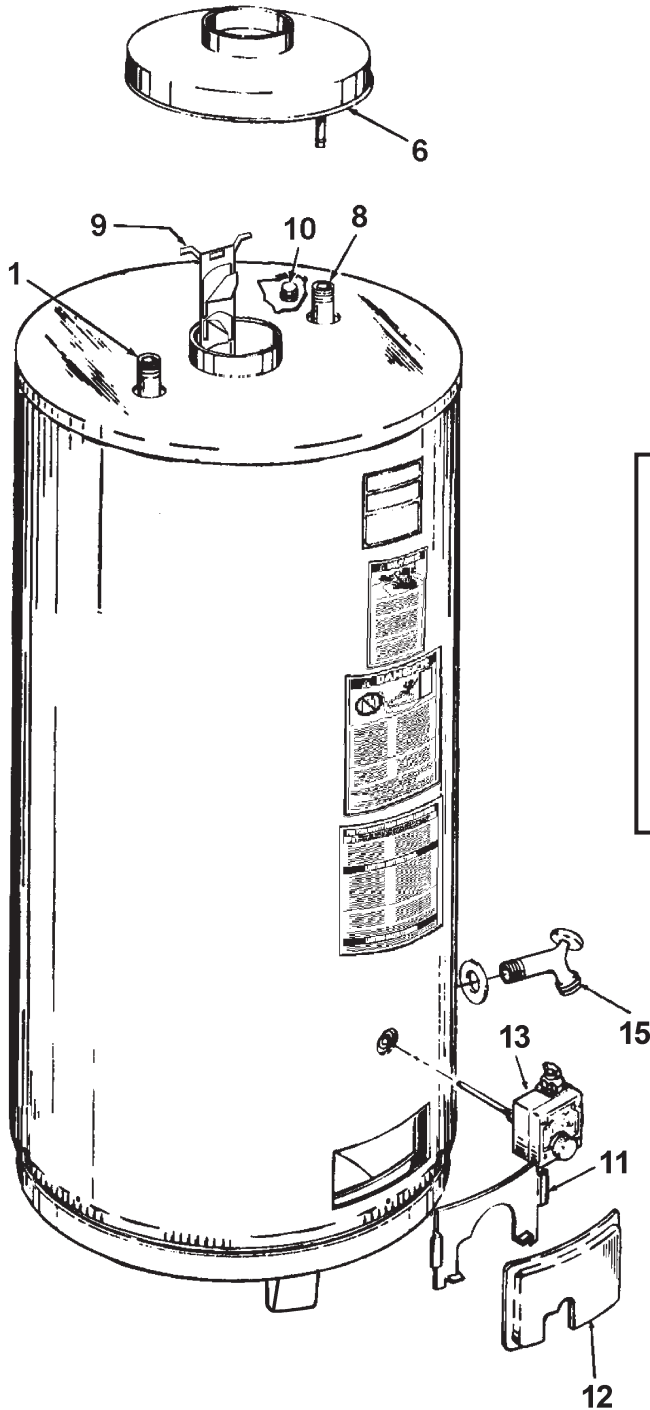
GAS

**RESIDENTIAL WATER HEATERS
REPLACEMENT PARTS LIST**

MODELS:

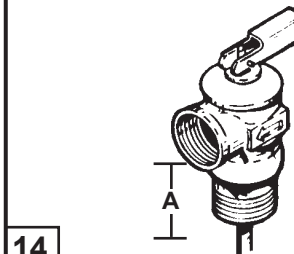
LT(N,L)07575 (ST)

LT(N,L)10075 (ST)



**3/4" T&P RELIEF VALVE
AUTOMATIC, SELF-CLOSING TYPES**

PART NUMBER	PRESS.	A =	TEMP RELIEF
9000728015	150 LBS.	2.19"	210°F



14

Item	Qty.	Description	LTN07575	LTN10075	LTL07575	LTL10075
			LTN07575ST		LTL07575ST	
1	1	Pipe Nipple	9003743015	9004228005	9004093015	9004228005
2	1	Burner Tube	9006199205	9006198205	181784-000	9004230205
3	1	Burner Head	9006200205	9006200205	9004089005	9004089005
4	1	Thermocouple	N/A	N/A	9000056015	9000056015
5	1	Pilot	<u>9006201205</u>	<u>9006201205</u>	<u>9004231115</u>	<u>9004231115</u>
6	1	Draft Hood	9003737005	9003737005	9003737005	9003737005
* 7	3	Draft Hood Brace	9003738005	9003738005	9003738005	9003738005
8	1	Inlet Tube	9006213005	9006757005	9006213005	9006757005
9	4	Flue Baffle Assembly	9003736005	9006202205	9003736005	9006202205
10	1	Anode Rod	9003892005	9003892005	9003892005	9002892005
11	1	Inner Door	9003735005	9003735005	9003735005	9003735005
12	1	Outer Door	9004101005	9004101005	9004101005	9004101005
13	1	Thermostat	<u>9003739005</u>	<u>9003739005</u>	<u>9003656005</u>	<u>9003656005</u>
14	1	T & P Relief Valve	9000728015	9000728015	9000728015	9000728015
15	1	Drain Valve	9001870015	9001870015	9001870015	9001870015
16	1	Pilot Tube	N/A	N/A	<u>9004473115</u>	<u>9004473115</u>
17	1	Orifice	9003732005	9003732005	181778-040	181778-040
* 18	1	Fitting Breakaway	N/A	N/A	9001895015	9001895015

* Not Illustrated

Part numbers underlined are recommended stock items for emergency replacement.

(Consider gas used in your area only).



300 Maddox Simpson Parkway
 Lebanon, TN 37090
 Phone: 615-889-8900 • Fax: 615-882-2918
 Email: parts_team@lochinvar.com
www.Lochinvar.com

Copyright © 2011 Lochinvar, LLC, All rights reserved.