

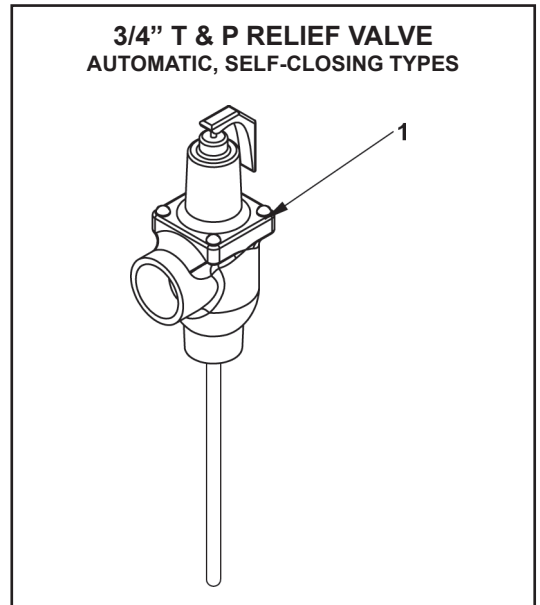
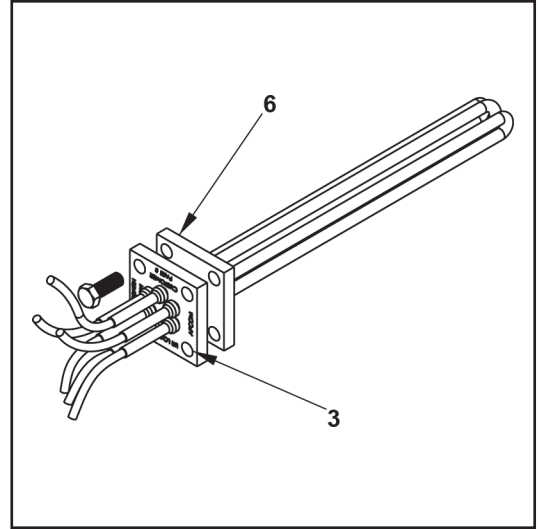
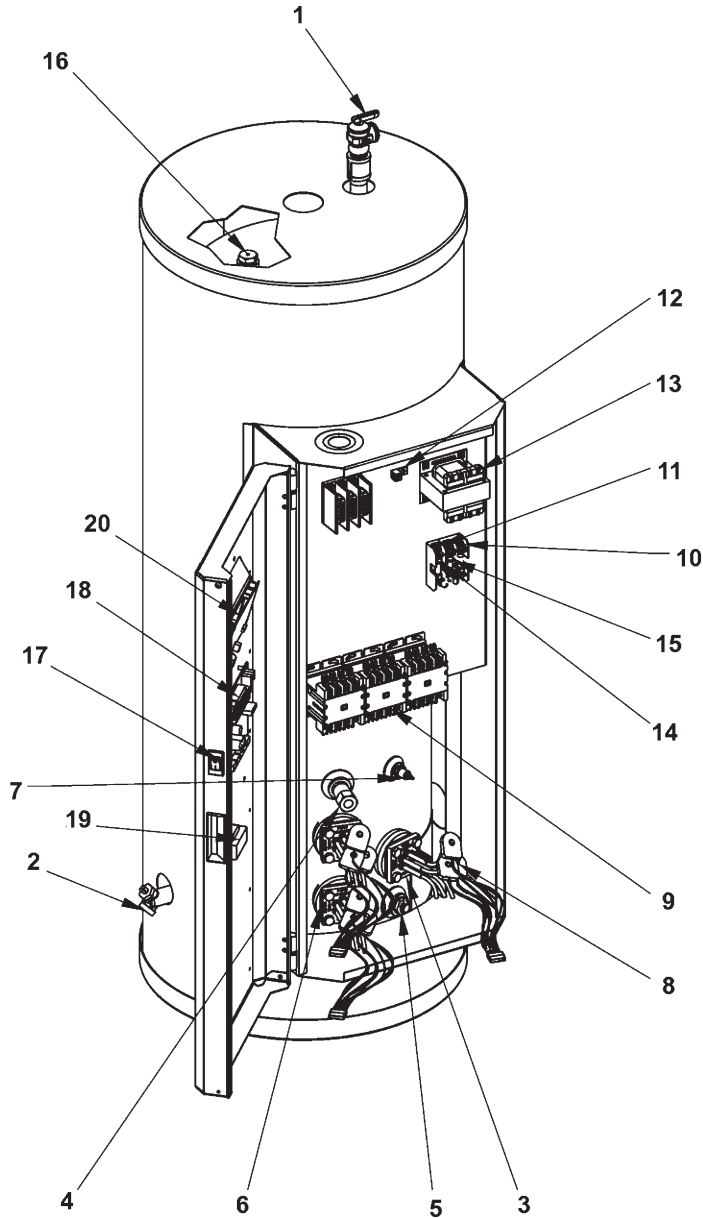


**Lochinvar**<sup>®</sup>  
High Efficiency Water Heaters, Boilers and Pool Heaters

**COMMERCIAL ELECTRIC SERVICE PARTS LIST**

Lochinvar Parts & Service Department  
300 Maddox Simpson Pkwy • Lebanon, TN  
Phone: 615-889-8900 • Fax: 615-882-2918  
E-mail: parts\_team@lochinvar.com

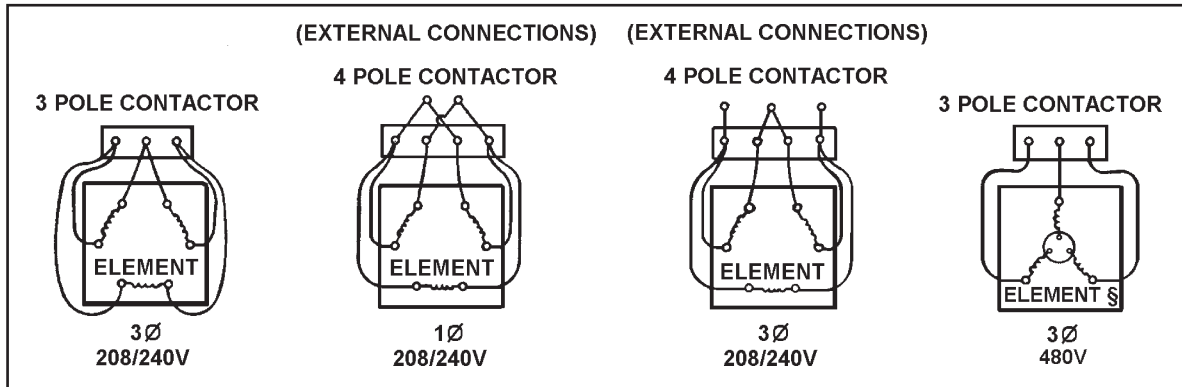
**MODELS:  
CH(X)\*\*005A thru CH(X)\*\*120A  
Series 100 and 102**



**Table 1. ELEMENT CHART AND CONNECTIONS**

Part Number	KW	Volts	Phase	Element	Fits Tank Size (Gals)	Part Number	KW	Volts	Phase	Element	Fits Tank Size (Gals)
9007151005	2	208 240 480	1 or 3 1 or 3	9.5"	5 Thru 120	9004850105 9004869105	9	208 240 480	1 or 3 1 or 3	15.5"	20 Thru 120
9004835105 9004846105 9007152005	3	208 240 480	1 or 3 1 or 3	9.5"	5 Thru 120	9004851105 9004866105	10	208 240 480	1 or 3 1 or 3	15.5"	2 Thru 120
9004832105 9004847105 9007153005	5	208 240 480	1 or 3 1 or 3	9.5"	5 Thru 120	9004841105 9004852105 9004870105	12	208 240 480	1 or 3 1 or 3	15.0"	65 Thru 120
9004836105 9004848105 9004860105	6	208 240 480	1 or 3 1 or 3	12.0"	10 Thru 120	9004842105 9004843105 9004872105	15	208 240 480	1 or 3 1 or 3	15.0"	65 Thru 120
9004837105 9004849105 9004861105	7.5	208 240 480	1 or 3 1 or 3	14.5"	20 Thru 120	9004834105 9004845105 9004856105	18	208 240 480	1 or 3	15.0"	65 Thru 120

Elements marked 277/480v. Element resistance wires operate at 277v 1 on 480v 3 due to Y connection on Element.



**Table 2. CONTROL CIRCUIT FUSING**

Voltage	120	208	220	240	277	380	415	480	575	600
Fuse Type	FNM	FNQ-R	FNQ-R	FNQ-R	FNQ-R	FNQ-R	FNQ-R	FNQ-R	FNQ-R	FNQ-R
VA	Secondary		Primary							
50	<b>0.6</b> (9007133005)	<b>1.25</b> (02006012)	N/A	N/A	<b>0.8</b> (02006008)	<b>0.6</b> (02006006)	N/A	N/A	<b>0.4</b> (02006004)	<b>0.4</b> (02006004)
75	<b>1</b> (02005010)	<b>1.5</b> (02006015)	<b>1.5</b> (02006015)	<b>1.5</b> (02006015)	<b>1.25</b> (02006012)	<b>0.8</b> (02006008)	<b>0.8</b> (02006008)	<b>0.6</b> (02006006)	<b>0.6</b> (02006006)	<b>0.6</b> (02006006)
100	<b>1.25</b> (02005012)	<b>2</b> (02006020)	<b>2</b> (02006020)	<b>2</b> (02006020)	<b>1.5</b> (02006015)	<b>1.25</b> (02006012)	<b>1.25</b> (02006012)	<b>0.8</b> (02006008)	<b>0.8</b> (02006008)	<b>0.8</b> (02006008)

Fuse amp rating is shown in **bold**.  
Factory part numbers are shown in ( ).



Item Number	Part Number	Description
1	9005715205	Relief Valve 3/4"
2	9003906015	3/4" Drain Valve
3	Refer to Table 1	Element
4	9006865015	Temperature Probe
5	198093-000	Electric Anode 22MM 20/100
6	01240406	Element Gasket
7	9004819105	Iwco Probe
8	9006867005	Element Current Sensor Assembly
9	9004817105 9004816105	Contactors 4 Pole 120V *Contactors 3 Pole 120V
10	02101031	Secondary Fuse Block - Control Circuit
11	02101032	Primary Fuse Block - Control Circuit
12	04800002	Ground Lug
13	9006863005	Transformer
14	See Table 2	Fuse Buss FNM
15	See Table 2	Fuse Buss FNQ-R
16	9003944005 9003892005	Anode 16" Long 0.840" diameter, 3/4" NPT 33" Long 0.840" diameter, 3/4" NPT
17	9004484215	Pilot Switch
18	See PN on Board	Control Board
19	9006863005	Secondary transformer 120v/24v 25VA
20	9006240005	User Interface Module

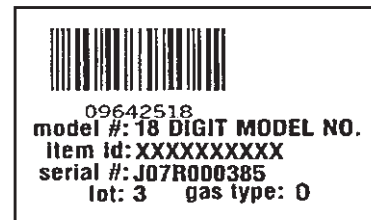
\* Not Illustrated

\*\* Power Circuit Fusing is required at or above 120 amp

Prior to calling the Parts Department, record your model and Serial number in the space provided. These important identification numbers can be found on the barcode label, adjacent to the water heater rating plate. See sample barcode tag below.

Model No.: \_\_\_\_\_

Serial Number: \_\_\_\_\_





300 Maddox Simpson Parkway  
Lebanon, TN 37090  
Phone: 615-889-8900 • Fax: 615-882-2918  
Email: [parts\\_team@lochinvar.com](mailto:parts_team@lochinvar.com)  
[www.Lochinvar.com](http://www.Lochinvar.com)

Copyright © 2011 Lochinvar, LLC, All rights reserved.