

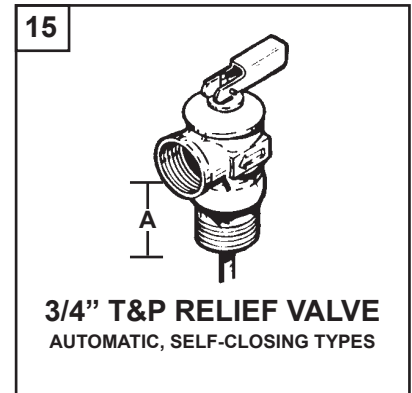
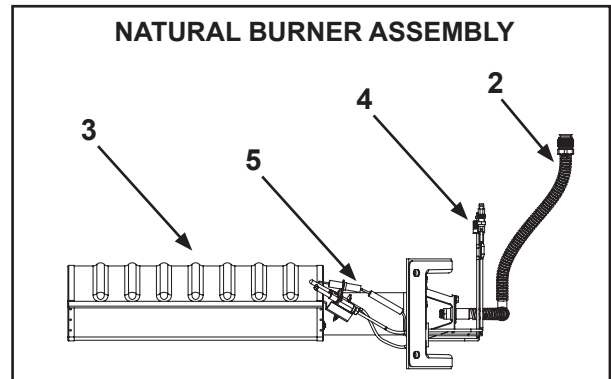
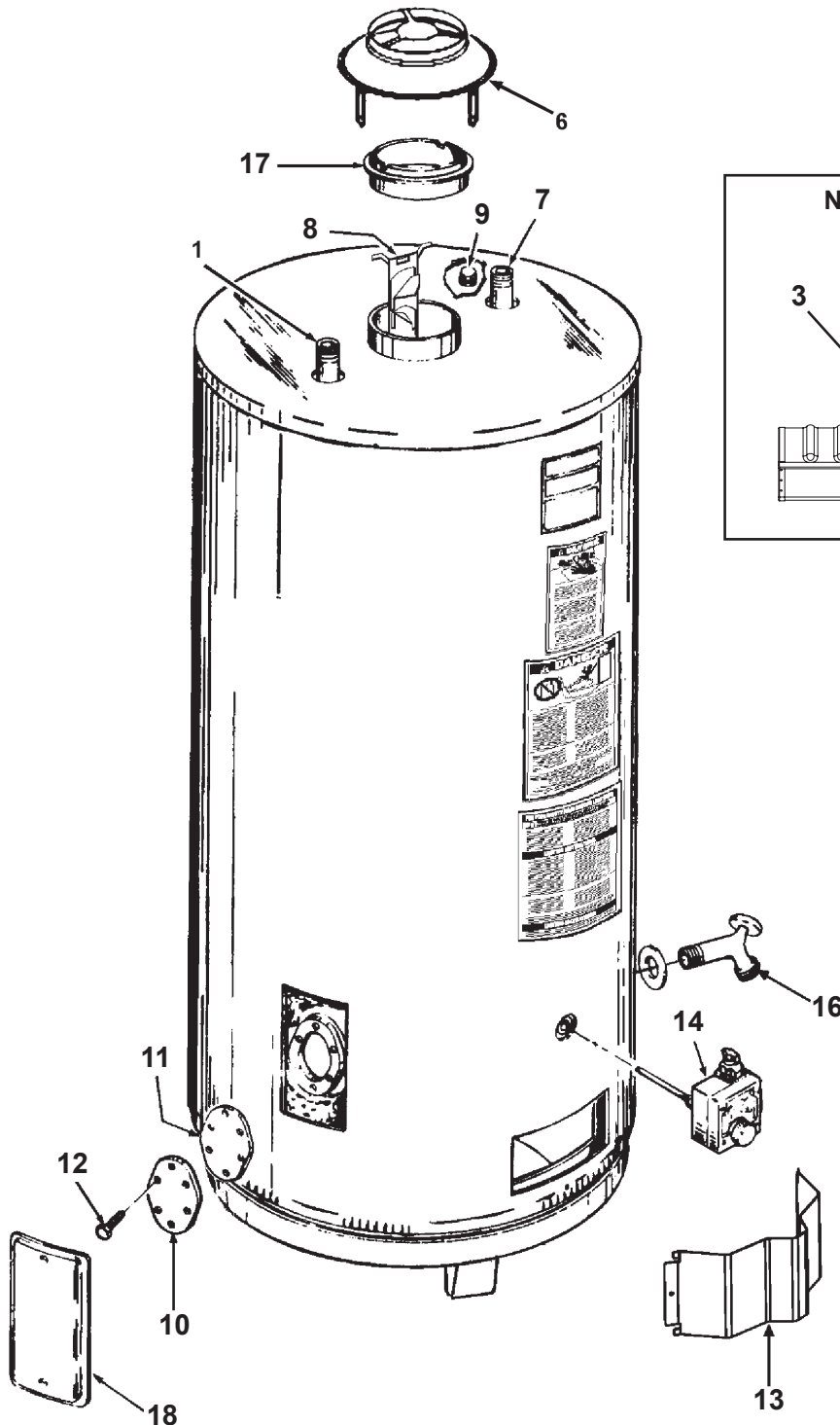


**Lochinvar**<sup>®</sup>  
High Efficiency Water Heaters, Boilers and Pool Heaters

**COMMERCIAL GAS REPLACEMENT PARTS LIST**

Lochinvar Parts & Service Department  
300 Maddox Simpson Pkwy • Lebanon, TN  
Phone: 615-889-8900 • Fax: 615-882-2918  
E-mail: parts\_team@lochinvar.com

**MODEL: CLN 075100**  
**SERIES 100**



| Item | Qty. | Parts Description    |            |
|------|------|----------------------|------------|
| 1    | 1    | Pipe Nipple          | 9003743015 |
| 2    | 1    | Burner Manifold      | 9008850005 |
| 3    | 1    | Burner               | 9008496005 |
| 4    | 1    | Thermocouple         | NA         |
| 5    | 1    | Pilot Assembly       | 9008497005 |
| 6    | 1    | Draft Hood           | 323943-000 |
| 7    | 1    | Inlet Tube           | 9004095005 |
| 8    | 4    | Flue Baffle Assembly | 9008501005 |
| 9    | 1    | Anode Rod            | 9003892005 |
| 10   | 1    | Cleanout Cover       | 9005797205 |
| 11   | 1    | Cleanout Gasket      | 9004099215 |
| 12   | 1    | Cleanout Screw       | 043760-001 |
| 13   | 1    | Outer Door           | NA         |
| 14   | 1    | Thermostat           | 9008218005 |
| 15   | 1    | T & P Relief Valve   | 9000728015 |
| 16   | 1    | Drain Valve          | 9001870015 |
| 17   | 1    | Flue Reducer         | 9003524005 |
| 18   | 1    | Front Cover          | 9003900005 |



300 Maddox Simpson Parkway  
Lebanon, TN 37090

Phone: 615-889-8900 • Fax: 615-547-1000  
Technical Service email: 2tech@lochinvar.com  
[www.Lochinvar.com](http://www.Lochinvar.com)

Copyright © 2012 Lochinvar, LLC, All rights reserved.