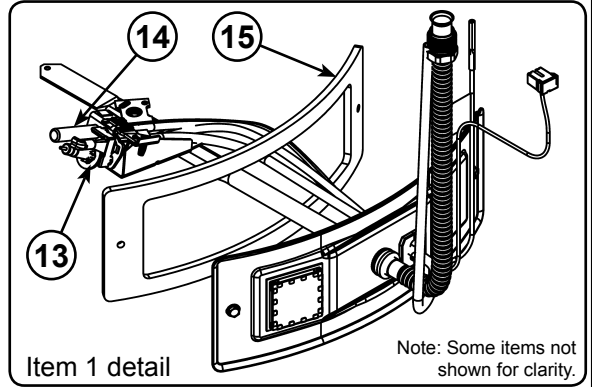
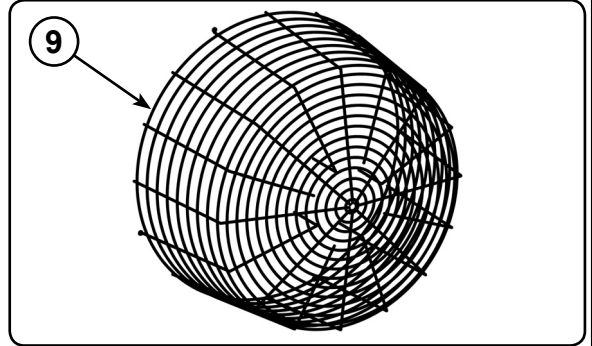
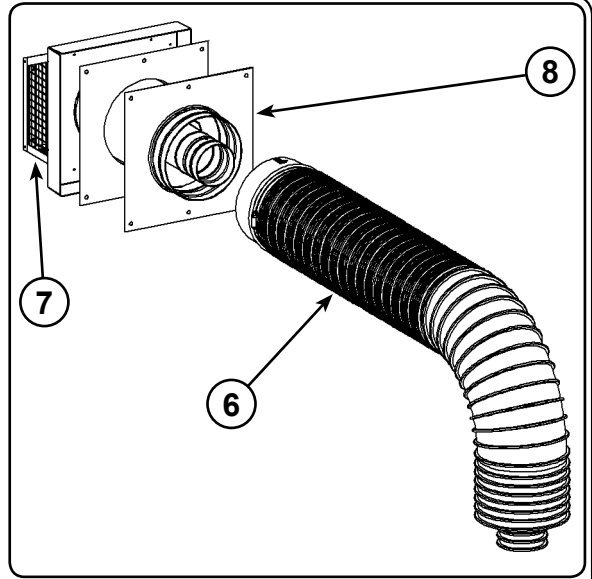
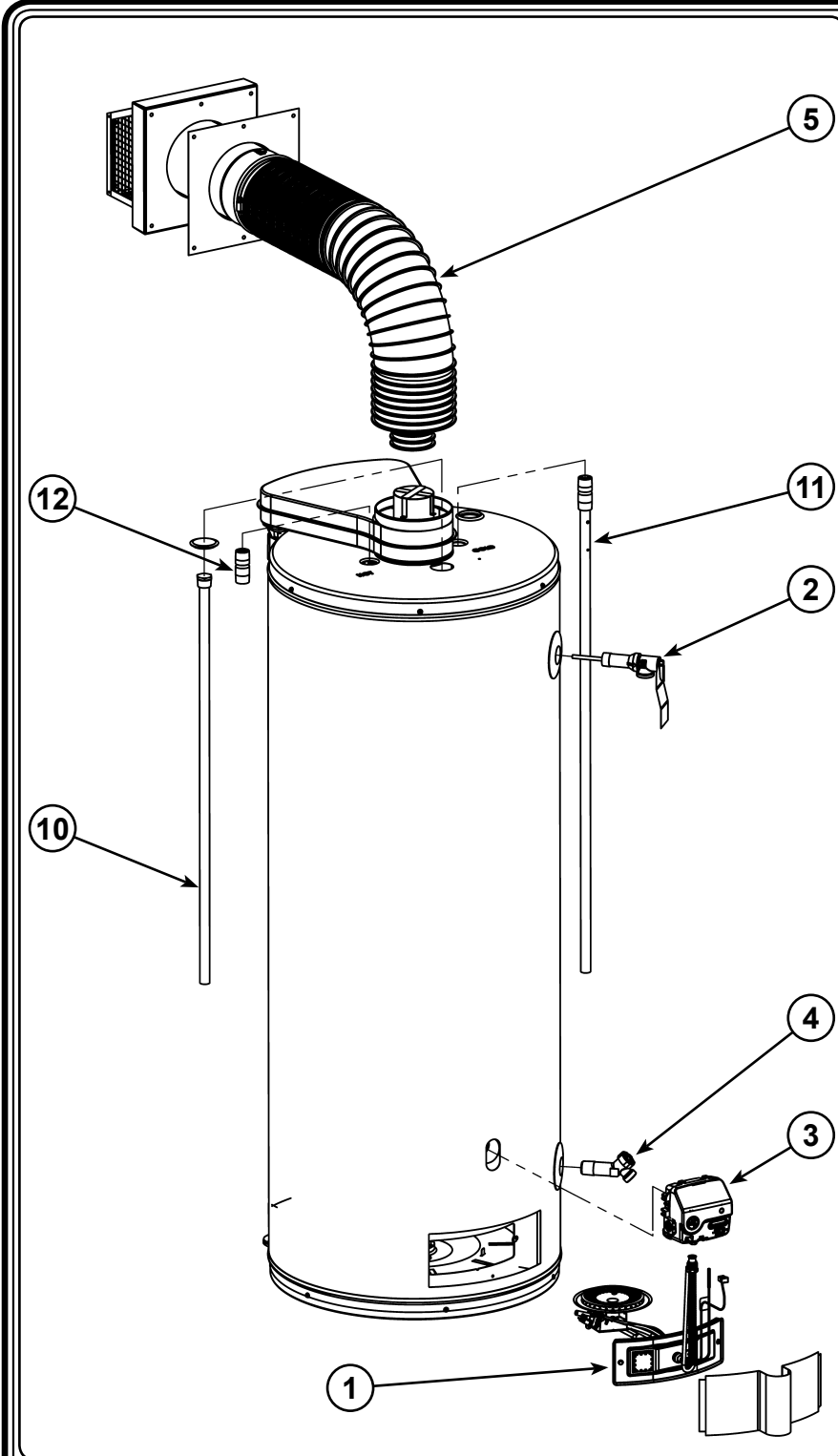


RESIDENTIAL DV WATER HEATER PARTS LIST



Lochinvar Brand Model Number		GB(N,L)04040	GB(N,L)05040	GB(N,L)05050
Item	Description	40 gallon 38K	50 gallon 40K	50 gallon 47K
1	DV Burner/Door/Pilot Assembly - Natural Gas	9009020005	9009019005	9009017005
	DV Burner/Door/Pilot Assembly - Propane Gas	9009023005	9009022005	9009021005
2	T&P Relief Valve	9001583005	9001583005	9001583005
3	Gas Valve/Thermostat - Natural Gas	9008316005	9008316005	9008316005
	Gas Valve/Thermostat - Propane	9008317005	9008317005	9008317005
4	Drain Valve - Brass	9003906015	9003906015	9003906015
5	Direct Vent System Assembly	9006538005	9006538005	9006538005
6	Direct Vent Pipe	9006539005	9006539005	9006539005
7	Direct Vent Wall Termination	9006540005	9006540005	9006540005
8	Direct Vent Wall Termination Trim Plates (2)	9006701005	9006701005	9006701005
9	Direct Vent Wall Termination Safety Cover	9006627005	9006627005	9006627005
10	Anode / MG	9001829005	9001829005	9001829005
	Anode / AL	9003892005	9003892005	9003892005
	Anode / KA90 (short)	9006299005	9006299005	9006299005
	Nipple Anode / MG - 4"	9004333005	9004333005	9004333005
11	Dip Tube with Heat Trap Assembly	9008304005	9008305005	9008305005
12	Nipple Heat Trap - 4"	9003936015	9003936015	9003936015
13	Pilot/T'Pile Assy - HW - Natural Gas	9007882005	9007882005	9007882005
	Pilot/T'Pile Assy - HW - Propane Gas	9008315005	9008315005	9008315005
14	Thermopile	9007875005	9007875005	9007875005
15	Gasket - Manifold door	9008309015	9008309015	9008309015



300 Maddox Simpson Parkway, Lebanon, TN 37090
 Phone: 615-889-8900 • Fax: 615-547-1000 • Technical Services email: 2tech@lochinvar.com
 www.lochinvar.com