

BOX DEPICTS OPTIONAL ITEMS

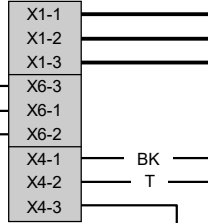
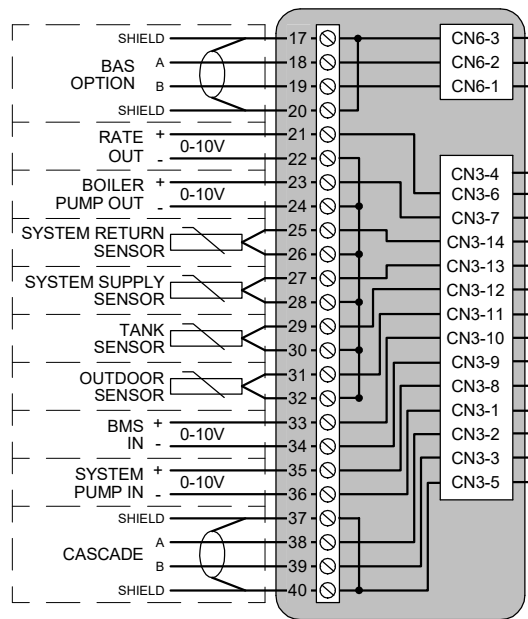
WARNING

DISCONNECT POWER BEFORE SERVICING

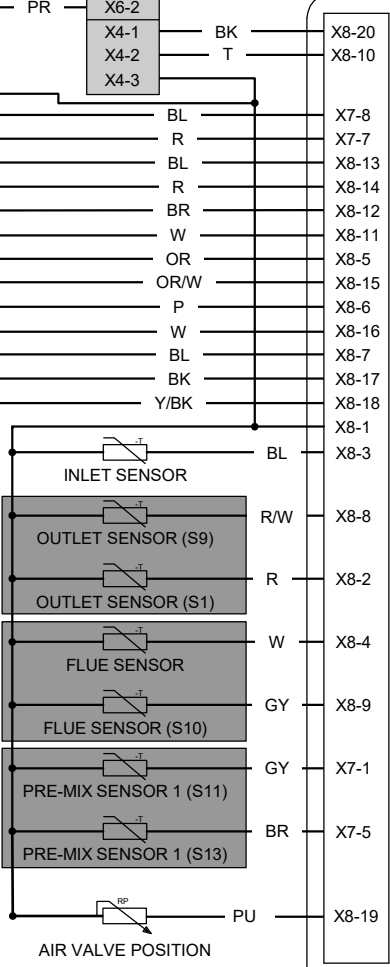
BOX DEPICTS DUAL SENSOR SINGLE HOUSING

BAS BOARD (AS APPLICABLE)

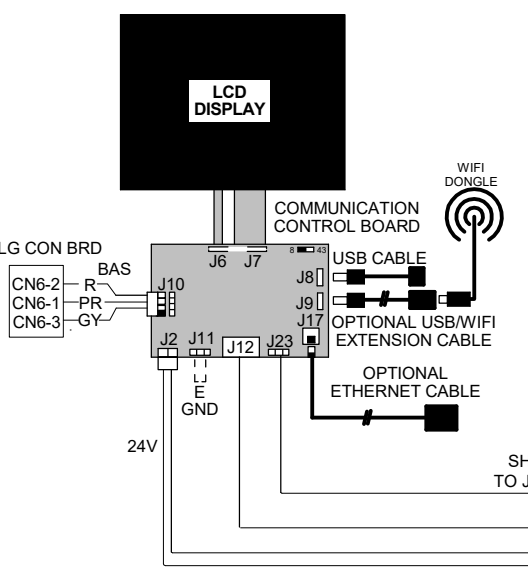
LARGE CONNECTION BOARD



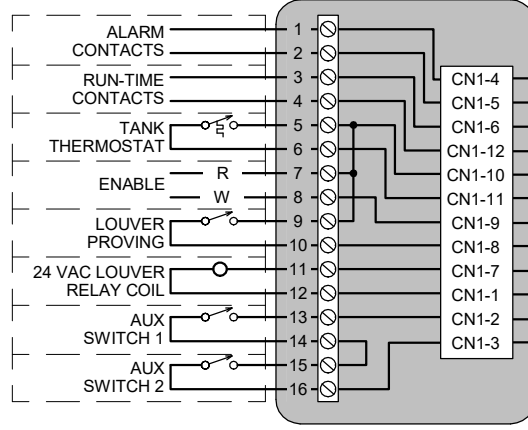
INTEGRATED CONTROL



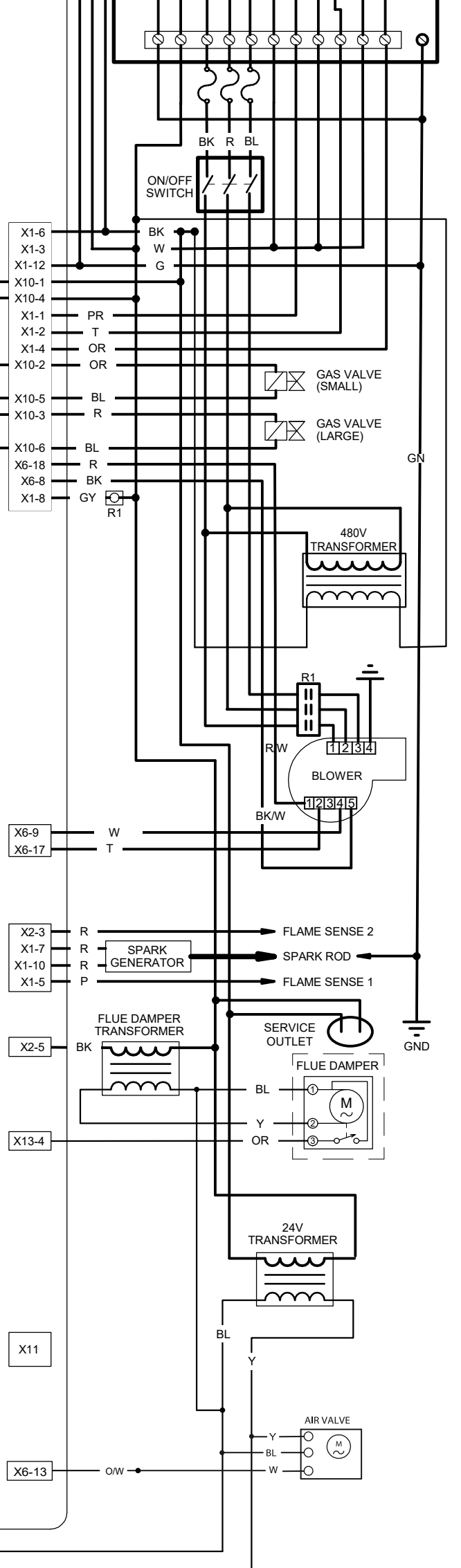
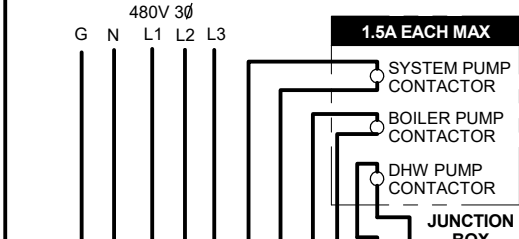
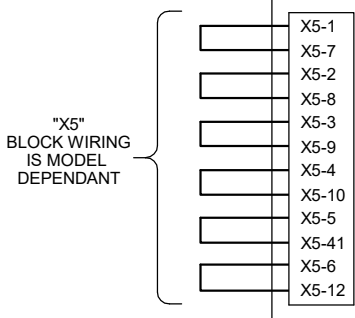
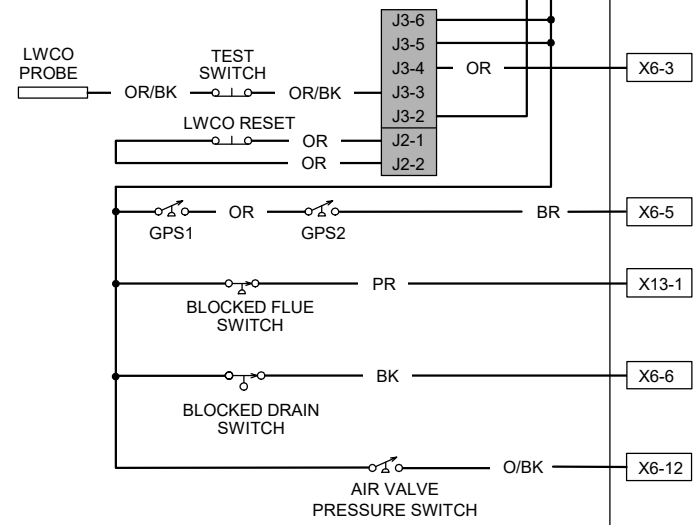
— LOW VOLTAGE
 — 120 VAC
 — HIGH VOLTAGE



SMALL CONNECTION BOARD



LWCO BOARD



Notes:
 1. All wiring must be installed in accordance with: local, state, provincial and national code requirements per either N.E.C. in USA or C.S.A. in Canada.
 2. If any original equipment wire as supplied with the appliance must be replaced, it must be replaced with wire having same wire gauge (AWG) and rated for a minimum of 105°C. Exceptions: Replacement high voltage spark lead and shielded cables must be purchased from the factory. Use of a non-approved spark lead or shielded cables can lead to operational problems which could result in non-repairable damage to the integrated controller or other components.
 3. Actual connector block locations may vary from those shown on diagrams. Refer to actual components for proper connector block locations when using diagrams to troubleshoot unit.