



Lochinvar[®]
HIGH EFFICIENCY BOILERS & WATER HEATERS

**AQUAS COMMERCIAL
POOL PACKAGE
Submittal Sheet**

AQP-Sub-03b

AQUAS[®] COMMERCIAL POOL PACKAGE

JOB NAME _____

LOCATION _____

ENGINEER _____

WHOLESALE _____

MECH. CONTRACTOR _____

MODEL NO. _____

TYPE GAS _____

Btu/hr INPUT _____

Btu/hr OUTPUT _____

NOTES

STANDARD FEATURES

- › 97% Thermal Efficiency
- › Modulating Burner with 5:1 Turndown (402-802)
- › Modulating Burner with 10:1 Turndown (1002-1502)
 - › Direct-Spark Ignition
 - › Low NOx Operation
 - › Sealed Combustion
 - › Low Gas Pressure Operation
- › **Vertical & Horizontal Venting**
 - › Category IV Venting up to 100 Feet PVC, CPVC
 - › Polypropylene or AL29-4C Vent Material
 - › Sidewall Vent Terminations provided
- › **ASME Stainless Steel Boiler Heat Exchanger**
 - › ASME Certified, "H" Stamped
 - › Gasketless design
 - › 160 psi working pressure
- › On/Off Switch
- › Re-circulation Boiler Pumps
- › Expansion Tank w/ Fill Valve
- › Adjustable High Limit w/ Auto Reset
- › Adjustable High Limit w/ Manual Reset
- › Flow Switch (402-802)
- › Low Water Cutoff w/ Manual Reset & Test (1002-1502)
- › Low Air Pressure Switches
- › High & Low Gas Pressure Switches w/ Manual Reset (1002-1502)
- › Inlet & Outlet Temperature Sensors
- › Two Easy Access Terminal Strips
- › 30 psi ASME Relief Valve
- › Temperature & Pressure Gauge
- › Zero Clearances to Combustible Material
- › **Standard Cupro-Nickel Pool Heat Exchanger**
 - › Salt Water Ready
 - › Flanged CPVC Connections

SMART TOUCH[™] & SMART SYSTEM[™] FEATURES

- › **SMART SYSTEM[™] Operating Control (402-802)**
 - › Multi-Colored Graphic LCD Display w/ Navigation Dial
- › **SMART TOUCH[™] Operating Control (1002-1502)**
 - › Full Color Touch Screen LCD Display
- › **Built in Cascading Sequencer for up to 8 Pool Heaters**
 - › Lead Lag
 - › Efficiency Optimization
 - › Mix multiple input sizes
- › **Outdoor Reset Control w/ Outdoor Air Sensor**
- › **Programmable System Efficiency Optimizers**
 - › Night Setback
 - › Anti-Cycling
 - › Ramp Delay
 - › Boost Temperature & Time
- › **Building Management System Integration**
 - › Optional Modbus communication
 - › 0-10 VDC Input Control for Modulation or SetPoint
 - › 0-10 VDC Output for Modulation Rate

OPTIONAL EQUIPMENT

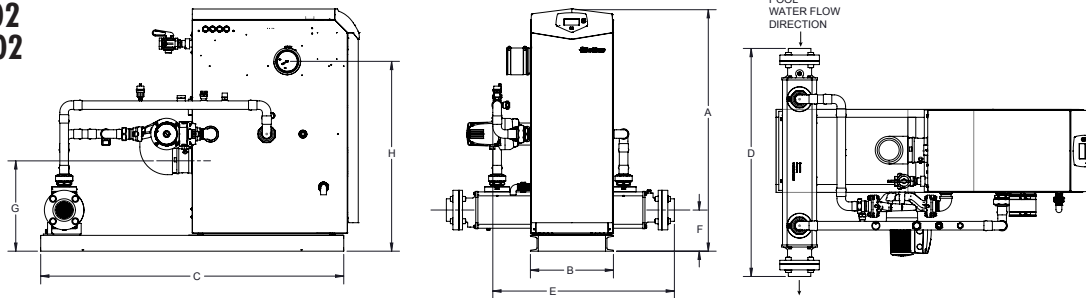
- › Titanium Pool Heat Exchanger
- › Alarm Bell
- › Condensate Neutralization Kit
- › High & Low Gas Pressure Switches w/ Manual Reset (502-802)
- › Low Water Cut-Off w/ Manual Reset & Test (402-802)
- › Stainless Steel Vent Kits (702-802)
- › Room Air Kit
- › Stack Frame (402-802)
- › Secondary Heat Exchangers
- › Modbus Communication
- › BMS Gateways for LON or BACnet

FIRING CODES

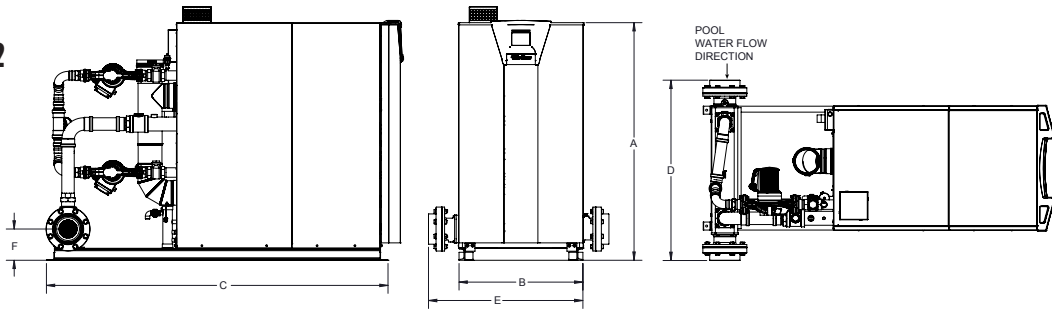
- › M9 Standard Construction
- › M7 California Code
- › M13 CSD1 / Factory Mutual / GE Gap (502-1502)

Aquas Commercial Pool Package Dimensions & Specifications

XPN 402 - 802
OXN 402 - 802



XPN 1002 - 1502



Model Number	Output Btu/hr	A	B	C	D	E	F	G	H	Pool Conn.	Gas Conn.	Vent Size	Air Inlet	Pool Flow	Pressure Drop-Ft/Hd	Shipping Weight
XPN402	373,599	45-3/4"	15-3/4"	53"	43-1/4"	34-1/2"	7-3/4"	17-1/4"	37-1/4"	2-1/2" / 3"	1"	4"	4"	93	0.73	465
XPN502	467,000	45-3/4"	15-3/4"	57-1/2"	43-1/4"	34-1/2"	7-3/4"	17-1/4"	36"	2-1/2" / 3"	1"	4"	4"	117	1.15	497
XPN602	559,800	46"	15-3/4"	69"	43-1/4"	34-3/4"	7-3/4"	17-1/4"	39-1/2"	3"	1"	4"	4"	142	1.72	534
XPN702	653,100	46"	15-3/4"	74"	44"	35"	7-3/4"	17-1/4"	39-1/2"	3" / 4"	1"	6"	4"	166	0.55	634
XPN802	746,400	46"	15-3/4"	79"	44"	35"	7-3/4"	17-1/4"	39-1/2"	3" / 4"	1"	6"	4"	202	0.80	671
XPN1002	941,000	59-1/2"	31"	79-3/4"	44"	37-1/2"	7-3/4"	N/A	N/A	4"	1-1/2"	6"	6"	243	1.13	1022
XPN1302	1,238,000	59-1/2"	31"	80-1/2"	45-1/4"	38-1/2"	7-3/4"	N/A	N/A	6"	1-1/2"	6"	6"	316	1.27	1102
XPN1502	1,445,000	59-1/2"	31"	84-1/2"	45-1/4"	38-3/4"	7-3/4"	N/A	N/A	6"	1-1/2"	6"	6"	364	1.31	1192
OXN402	372,267	45-3/4"	15-3/4"	53"	43-1/4"	34-1/2"	7-3/4"	17-1/4"	N/A	2-1/2" / 3"	1"	4"	4"	93	0.73	465
OXN502	466,500	45-3/4"	15-3/4"	57-1/2"	43-1/4"	34-1/2"	7-3/4"	17-1/4"	N/A	2-1/2" / 3"	1"	4"	4"	117	1.15	497
OXN602	559,800	46"	15-3/4"	69"	43-1/4"	34-3/4"	7-3/4"	17-1/4"	N/A	3"	1"	4"	4"	142	1.72	534
OXN702	653,100	46"	15-3/4"	74"	44"	35"	7-3/4"	17-1/4"	N/A	3" / 4"	1"	6"	4"	166	0.55	634
OXN802	746,400	46"	15-3/4"	79"	44"	35"	7-3/4"	17-1/4"	N/A	3" / 4"	1"	6"	4"	202	0.80	671

Notes: * BTU output based on 80 degree pool water and a delta T of 8 degrees across the pool heat exchanger. Change 'N' to 'L' for LP gas models.
No deration on LP models. Performance data is based on manufacturer test results. Agency certification applies to the boiler.



Lochinvar, LLC
300 Maddox Simpson Parkway
Lebanon, Tennessee 37090
P: 615.889.8900 | F: 615.547.1000
Lochinvar.com



HLW