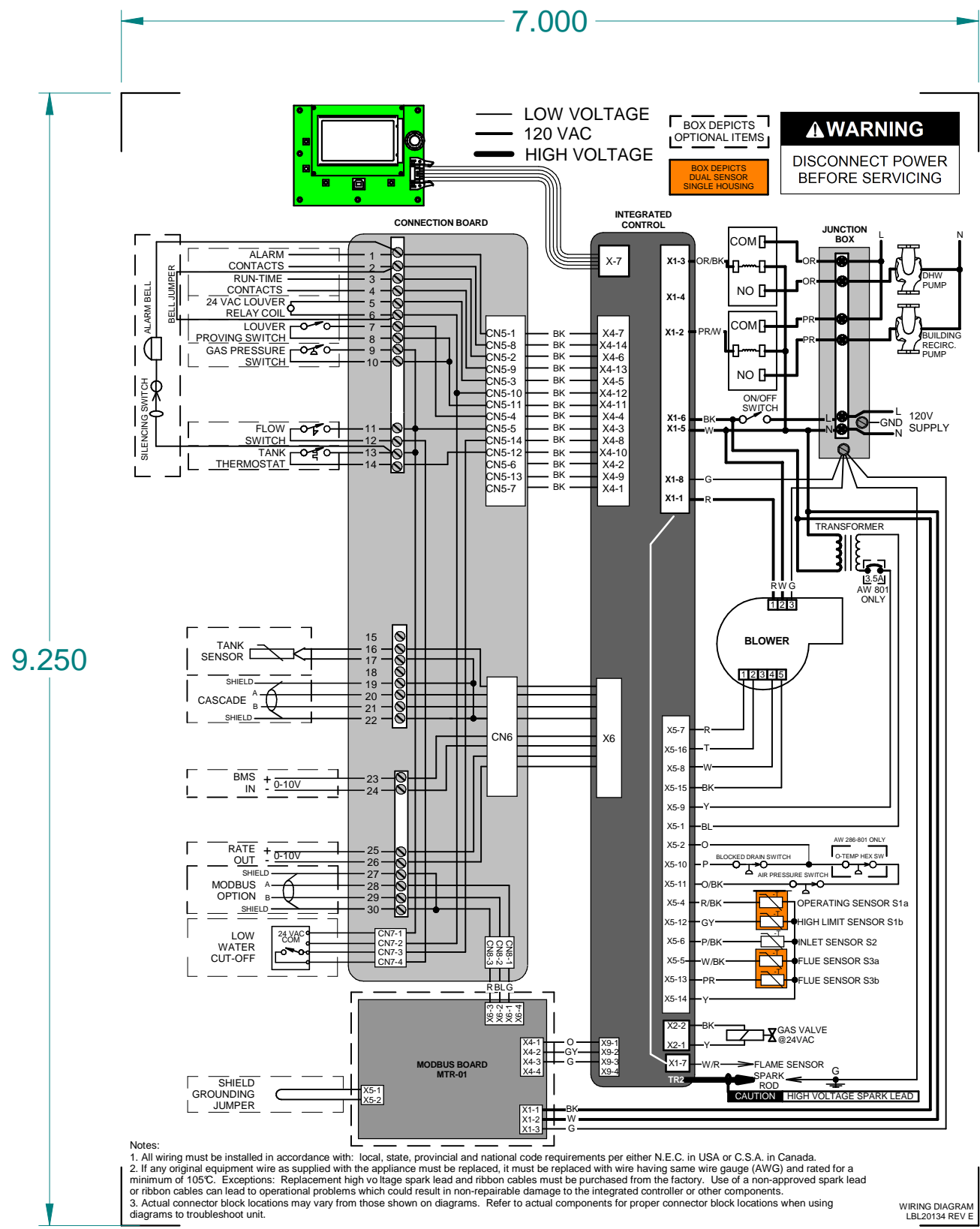


- NOTES
1. MATERIAL: WHITE PAPER WITH LAMINATION AND PRESSURE SENSITIVE ADHESIVE.
 2. PRINTING: BLACK.



- Notes:
1. All wiring must be installed in accordance with local, state, provincial and national code requirements per either N.E.C. in USA or C.S.A. in Canada.
 2. If any original equipment wire as supplied with the appliance must be replaced, it must be replaced with wire having same wire gauge (AWG) and rated for a minimum of 105°C. Exceptions: Replacement high voltage spark lead and ribbon cables must be purchased from the factory. Use of a non-approved spark lead or ribbon cables can lead to operational problems which could result in non-repairable damage to the integrated controller or other components.
 3. Actual connector block locations may vary from those shown on diagrams. Refer to actual components for proper connector block locations when using diagrams to troubleshoot unit.

REV	DESCRIPTION	ECO	DATE	APR
A	INITIAL RELEASE	C05525	4/14/10	DW
B	REVISE WIRING FOR BLOCKED DRAIN AND PRESSURE SWITCHES, WIRE 13 WAS 14 IN ALARM BELL CIRCUIT	C06158	7/28/10	JM
C	ADD O-TEMP HEX SW TO INTEGRATED CONTROL X5-10	C07068	9/22/10	JM
D	REVISE PER LOW VOLTAGE BOARD	C08938	10/5/11	EC
E	VOLTAGE WAS VOL TAGE	C09130	10/26/11	ERC

CONFIDENTIAL
THIS DRAWING IS THE PROPERTY OF LOCHINVAR CORPORATION
AND CAN NOT BE ALTERED, REPRODUCED OR DISTRIBUTED
WITHOUT WRITTEN PERMISSION

Drawn by: MV	Date: 2/4/10
Checked By: MC	Date: 4/14/10
Approved By: DW	Date: 4/14/10
Blank	
Material	
THIRD ANGLE PROJECTION	

UNLESS OTHERWISE SPECIFIED
DIMENSIONS ARE IN INCHES
FINISH IN MICROINCHES

DECIMAL
.X ± .125
.XX ± .060
.XXX ± .031

ANGULAR
± 1°

FINISH: ⁶³/

DEBURR AND BREAK
ALL SHARP EDGES .005 MAX
DO NOT SCALE THIS DRAWING

Lochinvar, LLC
300 Maddox Simpson Parkway
Lebanon, TN 37090
TEL 615-889-8900 FAX 615-547-1000
www.lochinvar.com
HIGH EFFICIENCY WATER HEATERS AND BOILERS

Title: LABEL, WIRING DIAGRAM

Model: AW 151-801

Dwg No.: LBL20134

REV: E

SIZE: B NOT TO SCALE SHEET 1 OF 1