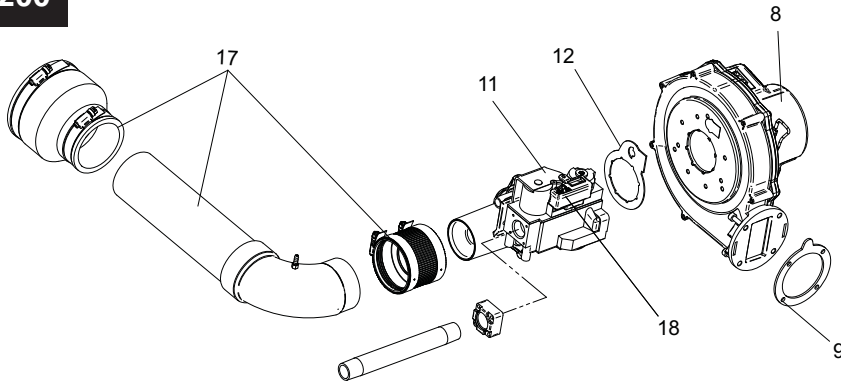
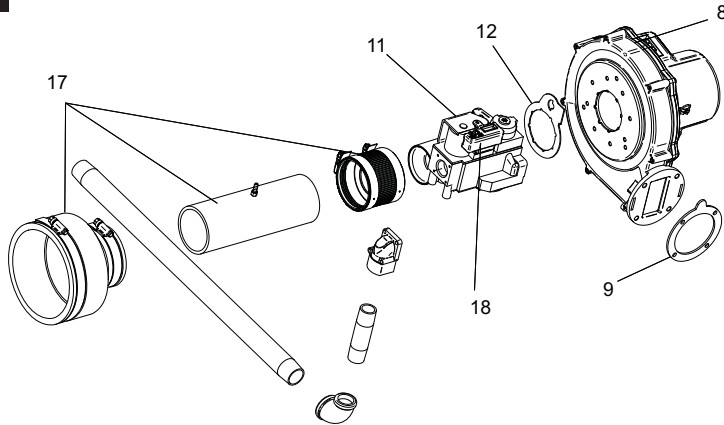


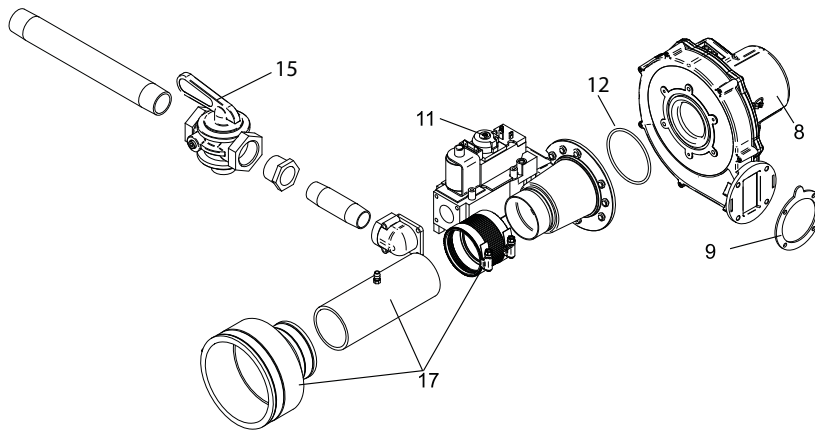
GAS TRAIN 151-200



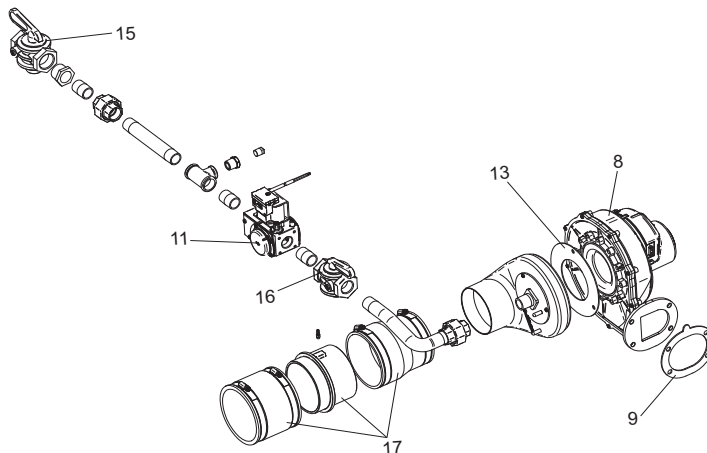
GAS TRAIN 286



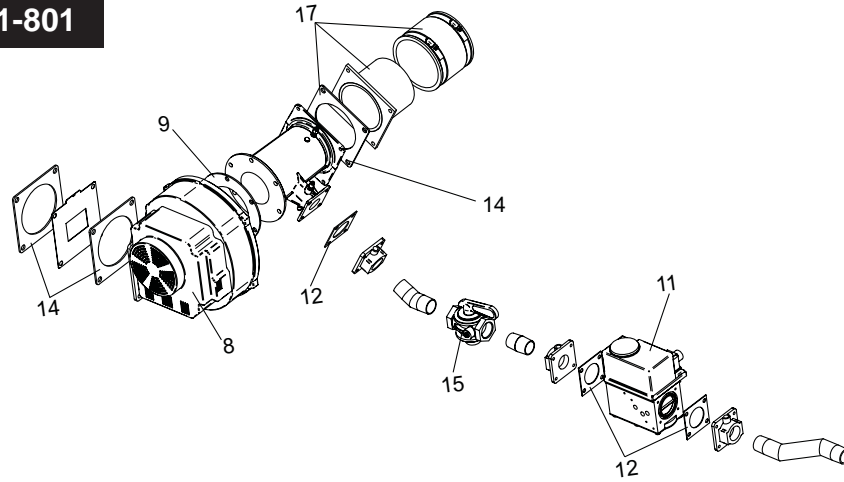
GAS TRAIN 400



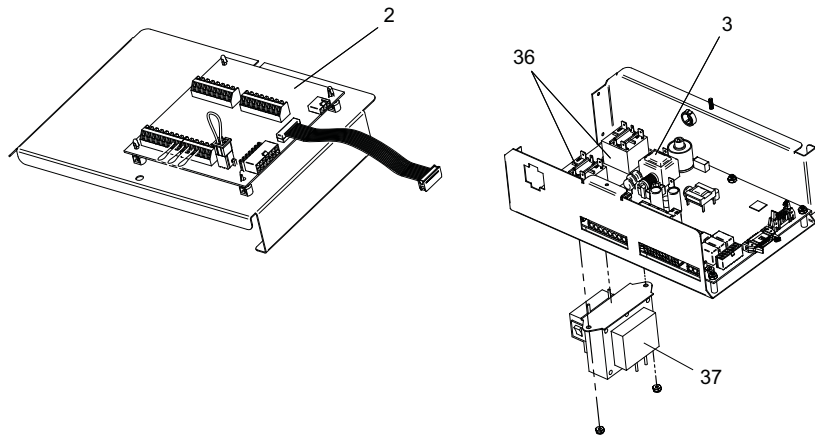
GAS TRAIN 501



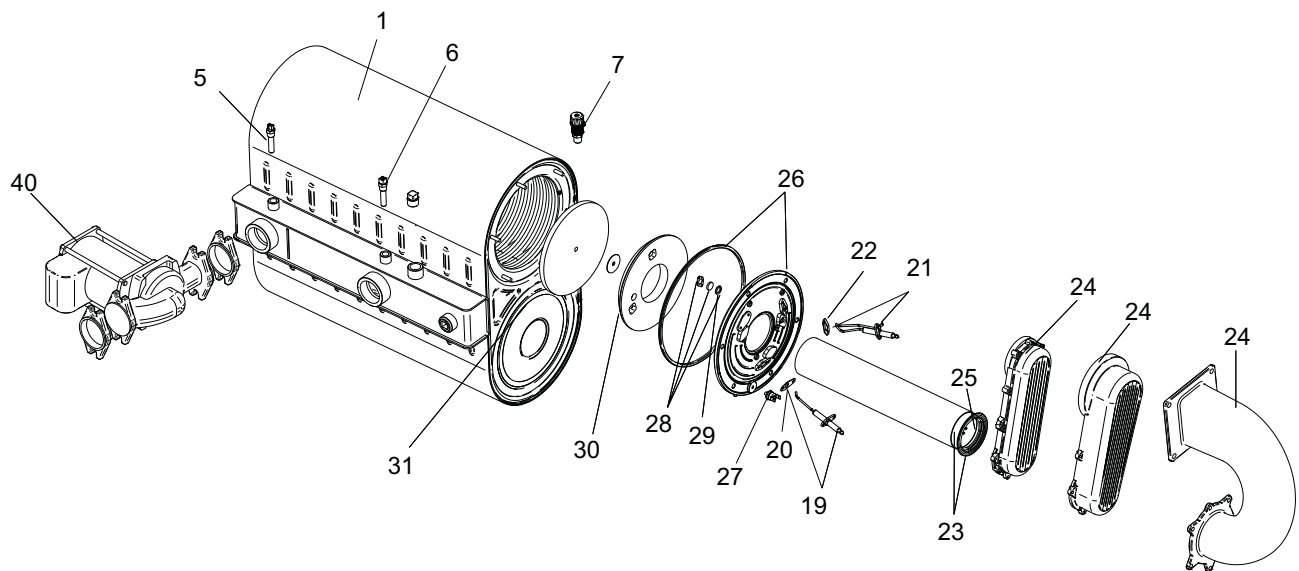
GAS TRAIN 601-801



CONTROL PANEL



HEAT EXCHANGER



IMG00951

ITEM NO.	PART NO.	DESCRIPTION	MODEL
HEAT EXCHANGER ASSEMBLY			
1	100147750	HEAT EXCHANGER	AW 151
1	100147751	HEAT EXCHANGER	AW 200
1	100147752	HEAT EXCHANGER	AW 286
1	100147753	HEAT EXCHANGER	AW 400
1	100147754	HEAT EXCHANGER	AW 501
1	100147306	HEAT EXCHANGER	AW 601
1	100147307	HEAT EXCHANGER	AW 701
1	100147308	HEAT EXCHANGER	AW 801
CONTROLS			
2	100208473*	CONNECTION BOARD	ALL
3	100167803*	INTEGRATED CONTROL	AW 151 - 286
3	100167804*	INTEGRATED CONTROL	AW 400
3	100167805*	INTEGRATED CONTROL	AW 501
3	100167807*	INTEGRATED CONTROL	AW 601 - 801
3	100167808	HIGH ALTITUDE INTEGRATED CONTROL	AW 151 - 286
3	100167809	HIGH ALTITUDE INTEGRATED CONTROL	AW 400
3	100167810	HIGH ALTITUDE INTEGRATED CONTROL	AW 501
3	100167811	HIGH ALTITUDE INTEGRATED CONTROL	AW 601 - 801
4	100208458*	USER INTERFACE CONTROL	ALL
5	100208549*	SENSOR, INLET	ALL
5	100208563	SENSOR, INLET, SS (OPTIONAL)	ALL
6	100208544*	SENSOR, OUTLET / HIGH LIMIT	ALL
6	100208558	SENSOR, OUTLET / HIGH LIMIT, SS (OPTIONAL)	ALL
7	100167445	AIR VENT VALVE	ALL
8	100145004	FAN ASSEMBLY	AW 151
8	100145005	FAN ASSEMBLY	AW 200
8	100145006	FAN ASSEMBLY	AW 286
8	100145008	FAN ASSEMBLY	AW 400
8	100145009	FAN ASSEMBLY	AW 501
8	100144980	FAN ASSEMBLY	AW 601 - 801
9	100208764*	GASKET, BLOWER	AW 200
9	100208101*	GASKET, BLOWER	AW 151, 286, 400
9	100208759*	GASKET, BLOWER	AW 501
9	100233694*	GASKET, VENTURI	AW 601 - 801
10	100208242	SWITCH, ON/OFF	ALL
GAS VALVES			
11	100172003	GAS VALVE ASSEMBLY NAT	AW 151
11	100172004	GAS VALVE ASSEMBLY NAT	AW 200
11	100172005	GAS VALVE ASSEMBLY NAT	AW 286
11	100172006	GAS VALVE ASSEMBLY NAT	AW 400
11	100172009	GAS VALVE ASSEMBLY NAT	AW 501
11	100172014	GAS VALVE ASSEMBLY NAT	AW 601
11	100171923	GAS VALVE ASSEMBLY NAT	AW 701
11	100172015	GAS VALVE ASSEMBLY NAT	AW 801
11	100171928	GAS VALVE ASSEMBLY LP	AW 501
11	100171929	GAS VALVE ASSEMBLY LP	AW 601
11	100171930	GAS VALVE ASSEMBLY LP	AW 701
11	100171931	GAS VALVE ASSEMBLY LP	AW 801
12	100208760	GASKET, GAS VALVE	AW 151 - 286
12	100208761	GASKET, GAS VALVE	AW 400
12	100208105	GASKET, GAS VALVE	AW 601 - 801
13	100233703	GASKET, AIR SHROUD	AW 501

PLEASE HAVE SERIAL NUMBER AVAILABLE WHEN ORDERING PARTS
*ITEMS DENOTE SUGGESTED INVENTORY PARTS

ITEM NO.	PART NO.	DESCRIPTION	MODEL
GAS VALVES (CONTINUED)			
14	100208089	GASKET, AIR INTAKE	AW 400 - 801
15	100300201	GAS CUT OFF VALVE 1" X 1"	AW 501 - 801
16	100277803	GAS CUT OFF VALVE 3/4" X 3/4"	AW 501
17	100163251	AIR INLET KIT	AW 151
17	100163252	AIR INLET KIT	AW 200
17	100163253	AIR INLET KIT	AW 286
17	100163254	AIR INLET KIT	AW 400
17	100163255	AIR INLET KIT	AW 601 - 801
17	100163256	AIR INLET KIT	AW 501
18	100208324*	GAS VALVE SWITCH	AW 151 - 286
PILOT & BURNER ASSEMBLIES			
19	100165930*	FLAME SENSOR W/ GASKET	AW 151 - 501
19	100165931*	FLAME SENSOR W/ GASKET	AW 601 - 801
20	100208091*	GASKET, FLAME SENSOR	ALL
21	100165929*	IGNITOR W/ GASKET	AW 151 - 501
21	100165920*	IGNITOR W/ GASKET	AW 601 - 801
22	100208086*	GASKET, IGNITOR	ALL
23	100135308	BURNER W/GASKET	AW 151
23	100135309	BURNER W/GASKET	AW 200
23	100135310	BURNER W/GASKET	AW 286
23	100135311	BURNER W/GASKET	AW 400 - 501
23	100135313	BURNER W/ GASKET	AW 601
23	100135314	BURNER W/ GASKET	AW 701
23	100135315	BURNER W/ GASKET	AW 801
24	100173796	GAS/AIR ARM ASSEMBLY W/ GASKET	AW 151
24	100173792	GAS/AIR ARM ASSEMBLY W/ GASKET	AW 200 - 400
24	100173793	GAS/AIR ARM ASSEMBLY W/ GASKET	AW 501
24	100173798	GAS/AIR ARM ASSEMBLY W/GASKET	AW 601 - 801
25	100208085*	GASKET, BURNER	AW 151 - 501
25	100233594*	GASKET, BURNER	AW 601 - 801
26	100173794	HEAT EXCHANGER ACCESS DOOR KIT	AW 151 - 501
26	100173799	HEAT EXCHANGER ACCESS DOOR KIT	AW 601 - 801
27	100292715	SWITCH, HEX DOOR TEMP (BEGINNING SN# F14)	AW 286 - 801
MISCELLANEOUS			
28	100163249	SIGHT GLASS	ALL
29	100208762	GASKET, SIGHT GLASS	ALL
30	100208060	INSULATION, BURNER PLATE DOOR	AW 151 - 501
30	100208059	INSULATION, BURNER PLATE DOOR	AW 601 - 801
31	100208061	INSULATION BAFFLE, DIVIDER PLATE	ALL
32	100163192	DISPLAY BEZEL	ALL
33	100288552	LEVELING LEG	ALL
34	100208453	T & P RELIEF 1" X 150#	AW 151 - 200
34	100208443	T & P RELIEF 3/4" X 150#	AW 286 - 400
34	100208446	T & P RELIEF 3/4" X 150#	AW 501 - 801
-	100208807*	FUSE, 1.25 AMP	ALL
-	100208231*	FUSE, 3.15 AMP	ALL
-	100208232*	FUSE, 5 AMP	ALL
-	100208660*	FLOW SWITCH	AW 151 200 & 400-801
-	100208661*	FLOW SWITCH	AW 286
35	100163241	CONDENSATE TRAP	AW 151 - 200
35	100163244	CONDENSATE TRAP	AW 286 - 801
36	100208509*	RELAY, 1.5 HP PUMP	ALL
PLEASE HAVE SERIAL NUMBER AVAILABLE WHEN ORDERING PARTS *ITEMS DENOTE SUGGESTED INVENTORY PARTS			

ITEM NO.	PART NO.	DESCRIPTION	MODEL
MISCELLANEOUS (CONTINUED)			
-	100208243*	SWITCH, BLOCKED DRAIN	ALL
-	100208154	GAUGE TRIOMETER, 75# PSI	AW 501 - 801
-	100287156*	FLUE TEMP SENSOR KIT	ALL
-	100189053	KIT, COLLAR, FLUE 3"	AW 151 - 200
-	100189054	KIT, COLLAR, FLUE 4"	AW 286 - 601
-	100157660	ALARM BELL	ALL
-	100170644	SENSOR KIT, TANK	ALL
37	100208230	TRANSFORMER	AW 151 - 701
37	100208246	TRANSFORMER	AW 801
38	100208377*	SWITCH, PRESSURE	AW 151 & 286
38	100208378*	SWITCH, PRESSURE	AW 200 & 400
38	100208383*	SWITCH, PRESSURE	AW 501
38	100208382*	SWITCH, PRESSURE	AW 601 - 801
39	100277824	FLUTED KNOB W/ SKIRT	ALL
-	100159008	LP CONVERSION KIT	AW 151
-	100159009	LP CONVERSION KIT	AW 200
-	100159010	LP CONVERSION KIT	AW 286
-	100159011	LP CONVERSION KIT	AW 400
-	100159012	LP CONVERSION KIT	AW 501 - 801
-	100148402*	LIMIT, HEAT EXCHANGER OVER TEMP	ALL
-	100208625	HARNESS, CONNECTION BOARD	ALL
-	100299107	HARNESS, RELAY	ALL
-	100299109	HARNESS, POWER	AW 151 - 286
-	100299754	HARNESS, POWER	AW 400 - 801
-	100208627	HARNESS, GAS VALVE	AW 151 - 286
-	100208637	HARNESS, GAS VALVE	AW 400
-	100173314	HARNESS, GAS VALVE	AW 501
-	100299111	HARNESS, GAS VALVE	AW 601 - 801
-	100208628	HARNESS, UNIT	AW 151 & 200
-	100072936	HARNESS, UNIT	AW 286
-	100072937	HARNESS, UNIT	AW 400 - 801
-	100208636	CABLE, RIBBON	AW 151 - 501
-	100208638	CABLE, RIBBON	AW 601 - 801
-	100208621	HARNESS, SPARK ELECTRODE	AW 151 & 200
-	100208620	HARNESS, SPARK ELECTRODE	AW 286
-	100208618	HARNESS, SPARK ELECTRODE	AW 400 & 501
-	100208623	HARNESS, SPARK ELECTRODE	AW 601 - 801
-	100208622	HARNESS, FLAME SENSE ELECTRODE	ALL
PUMPS			
40	100166430	PUMP, PRIOR TO DECEMBER 2014	AW 151 - 200
40	100208409	PUMP, STANDARD, BEGINNING DECEMBER 2014	AW 151 - 200
40	100287807	PUMP, STANDARD, BEGINNING OCTOBER 2017	AW 151 - 200
40	100287809	PUMP, UPSIZED, BEGINNING JULY 2017	AW 151 - 200
40	100166428	PUMP, STANDARD	AW 286
40	100166409	PUMP, UPSIZED, BEGINNING JULY 2017	AW 286
40	100166432	PUMP, PRIOR TO DECEMBER 2014	AW 400
40	100232190	PUMP, STANDARD, BEGINNING DECEMBER 2014	AW 400
40	100166409	PUMP, UPSIZED, BEGINNING JULY 2017	AW 400
40	100287810	PUMP, UPSIZED, BEGINNING OCTOBER 2017	AW 400
40	100166408	PUMP, PRIOR TO DECEMBER 2014	AW 501 - 601
40	100232190	PUMP, BEGINNING DECEMBER 2014	AW 501 - 601
PLEASE HAVE SERIAL NUMBER AVAILABLE WHEN ORDERING PARTS			
*ITEMS DENOTE SUGGESTED INVENTORY PARTS			

ITEM NO.	PART NO.	DESCRIPTION	MODEL
PUMPS (CONTINUED)			
40	100166409	PUMP, UPSIZED, BEGINNING JULY 2017	AW 501 - 601
40	100287810	PUMP, UPSIZED, BEGINNING OCTOBER 2017	AW 501 - 601
40	100166409	PUMP, STANDARD	AW 701 - 801
40	100287831	PUMP, UPSIZED, BEGINNING JULY 2017	AW 701 - 801
JACKET ASSEMBLY			
41	100149684	JACKET, TOP	AW 151
41	100149687	JACKET, TOP	AW 200
41	100149688	JACKET, TOP	AW 286
41	100149689	JACKET, TOP	AW 400
41	100149690	JACKET, TOP	AW 501
41	100149691	JACKET, TOP	AW 601
41	100149692	JACKET, TOP	AW 701
41	100149693	JACKET, TOP	AW 801
42	100189059	JACKET, FRONT	AW 151 - 200
42	100189060	JACKET, FRONT	AW 286
42	100189061	JACKET, FRONT	AW 400 - 801
43	100149874	JACKET, LEFT SIDE	AW 151
43	100149875	JACKET, LEFT SIDE	AW 200
43	100149876	JACKET, LEFT SIDE	AW 286
43	100149878	JACKET, LEFT SIDE	AW 400
43	100149861	JACKET, LEFT SIDE	AW 501
43	100149862	JACKET, LEFT SIDE	AW 601
43	100149863	JACKET, LEFT SIDE	AW 701
43	100149864	JACKET, LEFT SIDE	AW 801
44	100150904	JACKET, RIGHT SIDE	AW 151
44	100150905	JACKET, RIGHT SIDE	AW 200
44	100150906	JACKET, RIGHT SIDE	AW 286
44	100150907	JACKET, RIGHT SIDE	AW 400
44	100150341	JACKET, RIGHT SIDE	AW 501
44	100150212	JACKET, RIGHT SIDE	AW 601
44	100150220	JACKET, RIGHT SIDE	AW 701
44	100150225	JACKET, RIGHT SIDE	AW 801
<p>PLEASE HAVE SERIAL NUMBER AVAILABLE WHEN ORDERING PARTS</p> <p>*ITEMS DENOTE SUGGESTED INVENTORY PARTS</p>			

