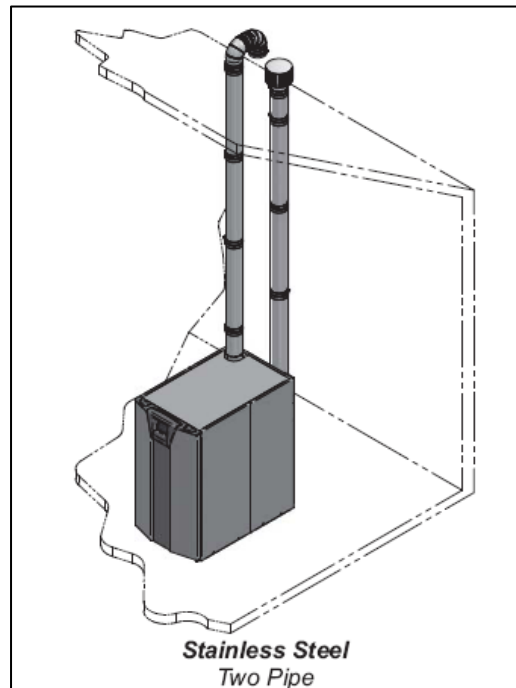
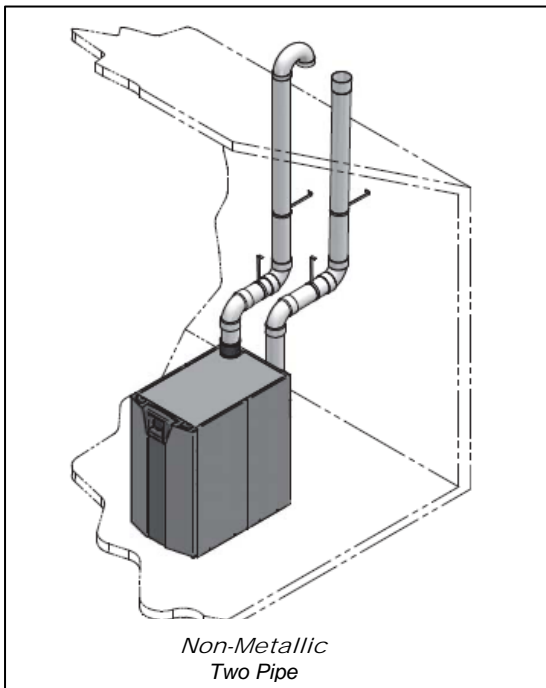


Armor X2 VENTING OPTIONS

JOB NAME _____
 LOCATION _____
 ARCH./ENG. _____
 WHOLESALER _____
 MECH. CONTRACTOR _____
 MODEL NUMBER _____
 NOTES _____

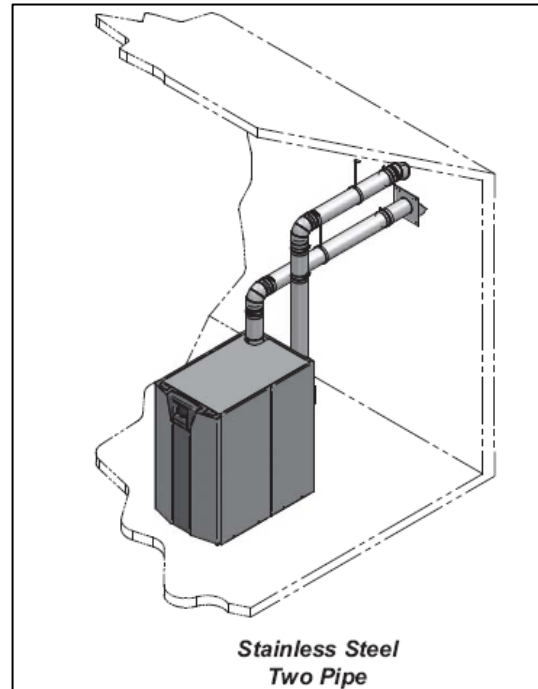
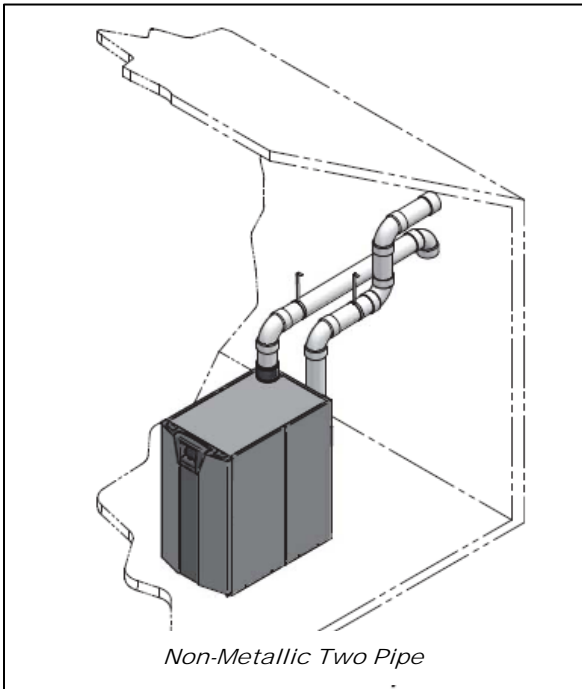
VERTICAL VENT WITH COMBUSTION AIR FROM THE ROOFTOP
Category IV – Direct Vent Vertical

- Vents vertically up to 100 equivalent feet and directly draws combustion air 100 equivalent feet from the rooftop.
- Vent and Air Intake diameters are 6" and/or 7" based on model. See page 4 for table showing model sizes with matching pipe diameters and maximum pipe lengths.
- Vent material may be PVC, CPVC, Polypropylene or AL29-4C Stainless Steel. All Vent connections, joints and seams **MUST** be sealed airtight.
- Air Intake material may be PVC, CPVC, Polypropylene or ABS plastic pipe; Galvanized Steel Vent pipe or Type "B" Double-Wall vent. All Air Intake connections, joints and seams **MUST** be sealed airtight.
- When venting with PVC, the first 10 equivalent feet from the boiler **MUST** be CPVC.
- Vent material and air intake material are supplied locally.



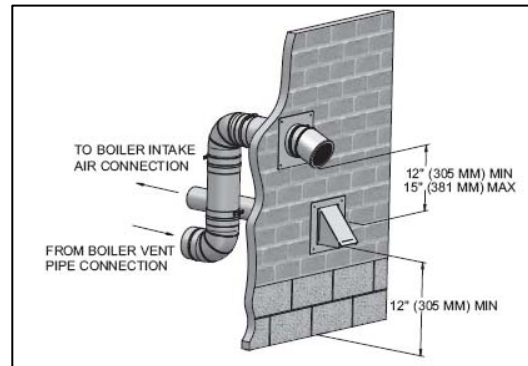
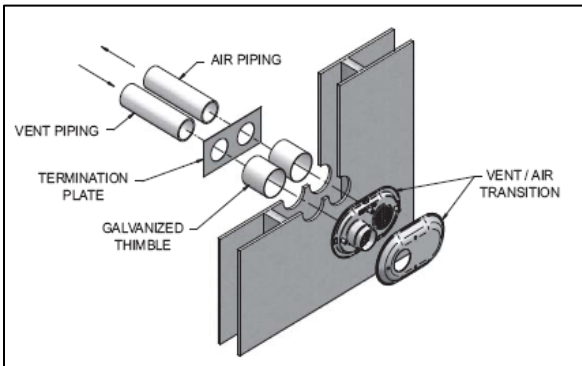
HORIZONTAL VENT WITH COMBUSTION AIR FROM THE SIDEWALL Category IV – Direct Vent Horizontal

- Vents horizontally up to 100 equivalent feet and directly draws combustion air 100 equivalent feet from the sidewall.
- Vent and Air Intake diameters are 6" and/or 7" based on model. See page 4 for table showing model sizes with matching pipe diameters and maximum pipe lengths.
- Vent material may be PVC, CPVC, Polypropylene or AL29-4C Stainless Steel. All Vent connections, joints and seams MUST be sealed airtight.
- Air Intake material may be PVC, CPVC, Polypropylene or ABS plastic pipe; Galvanized Steel Vent pipe or Type "B" Double-Wall vent. All Air Intake connections, joints and seams MUST be sealed airtight.
- When venting with PVC, the first 10 equivalent feet from the boiler MUST be CPVC.
- Sidewall vent and air intake terminations are provided by Lochinvar. Vent material and air intake material are supplied locally.



Use "Snorkel" termination as seen above or use Sidewall Vent/Air Termination Kit provided with every SYNC boiler.

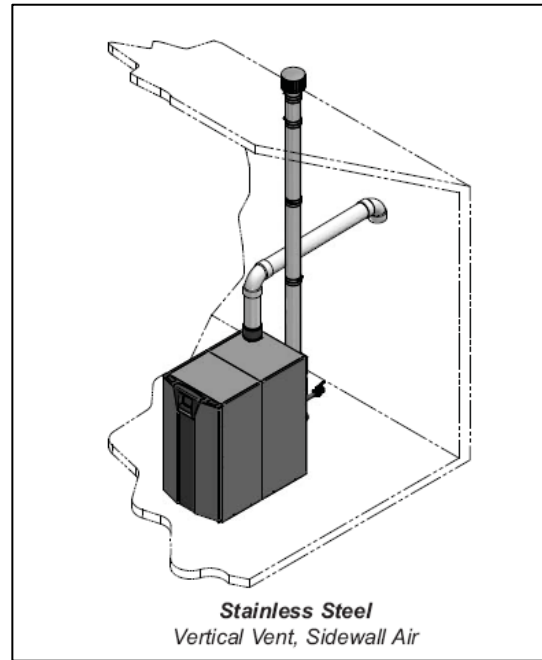
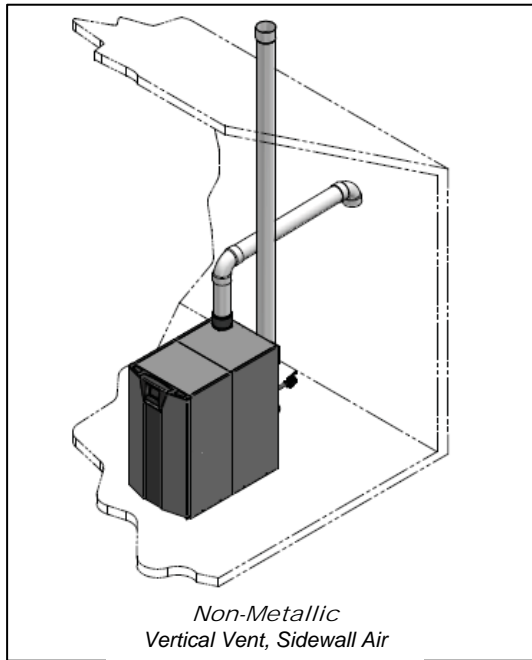
For Stainless Steel sidewall termination, specify special Stainless Steel Vent Kit, KIT30028 (6" kit) or KIT30029 (7" kit).



VERTICAL VENT WITH COMBUSTION AIR FROM THE SIDEWA

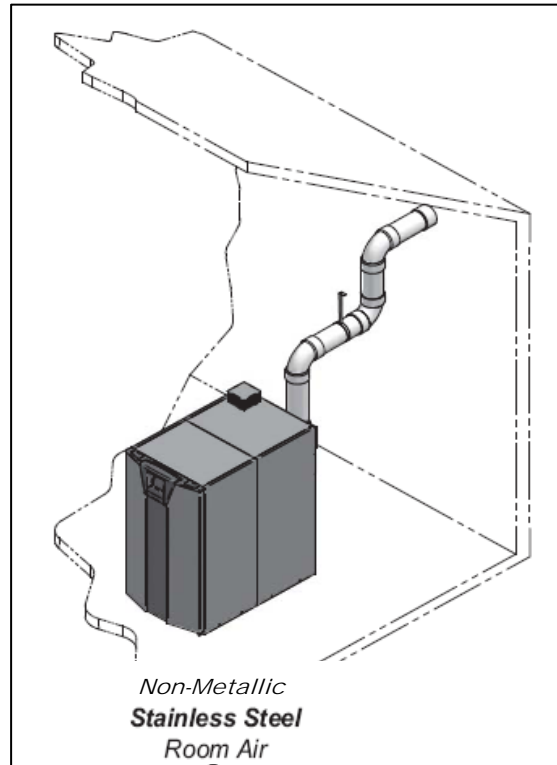
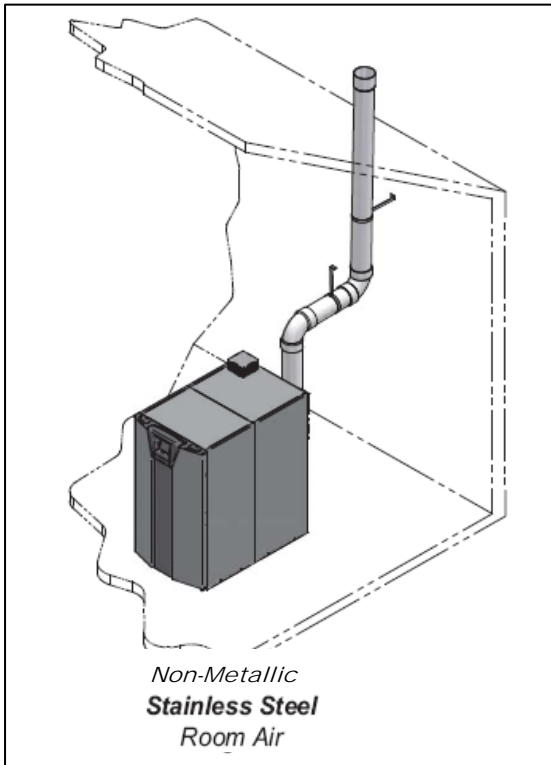
Category IV – Vertical Vent

- Vents vertically up to 100 equivalent feet and directly draws combustion air 100 equivalent feet from the sidewall.
- Vent and Air Intake diameters are 6" and/or 7" based on model. See page 4 for table showing model sizes with matching pipe diameters and maximum pipe lengths.
- Vent material may be PVC, CPVC, Polypropylene or AL29-4C Stainless Steel. All Vent connections, joints and seams MUST be sealed airtight.
- Air Intake material may be PVC, CPVC, Polypropylene or ABS plastic pipe; Galvanized Steel Vent pipe or Type "B" Double-Wall vent. All Air Intake connections, joints and seams MUST be sealed airtight.
- When venting with PVC, the first 10 equivalent feet from the boiler MUST be CPVC.
- Vent material and air intake material are supplied locally.



VENT WITH COMBUSTION AIR FROM THE EQUIPMENT ROOM Category IV

- Vents vertically or horizontally up to 100 equivalent feet and directly draws combustion air from the equipment room.
- Vent diameters are 6" and/or 7" based on model.
- Vent material may be PVC, CPVC, Polypropylene or AL29-4C Stainless Steel. All Vent connections, joints and seams MUST be sealed airtight.
- When venting with PVC, the first 10 equivalent feet from the boiler MUST be CPVC.
- Vent material is supplied locally.



Direct Vent Table for Diameters and Maximum Lengths

| Model | Air Intake Diameter | Air Intake Min. Length | Air Intake Max. Length | Vent Diameter | Vent Min. Length | Vent Max. Length | Input De-Rate per 25 feet of Vent |
|---------|---------------------|------------------------|------------------------|---------------|------------------|------------------|-----------------------------------|
| SB 1000 | 6" | 12' | 100' | 6" | 12' | 100' | 1.25% |
| SB 1300 | 6" | 12' | 50' | 6" | 12' | 50' | 2.90% |
| SB 1300 | 7" | 12' | 100' | 7" | 12' | 100' | 0.95% |
| SB 1500 | 6" | 12' | 50' | 6" | 12' | 50' | 3.30% |
| SB 1500 | 7" | 12' | 100' | 7" | 12' | 100' | 1.65% |

