



Gas Regulators

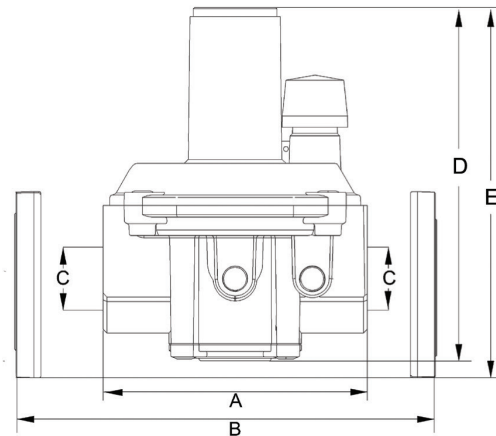
Lochinvar Gas Regulators

Boilers with high turndown rates require gas regulators that provide stable pressure regulation, not only at the maximum firing rate, but also at the minimum firing rate. Lochinvar regulators are sized to accommodate inlet regulator pressures up to 2 psi and are 100% bubble tight lock up. All regulators are direct acting and allow for 500:1 turndown to function more effectively with today's high-turndown boilers.



Standard Features

- CSA 6.22a-2005 ANSI Z21.80A2005 Class I for outlet pressures up to 14" Certified
- Integral vent limiter
- CSA approved External Vent Limiter – no vent line required
- 500:1 Turndown
- Positive 100% bubble tight lock up regulator
- Suitable for NG and LP
- Suitable to indoor or outdoor installation
- Up to 2 PSIG Inlet pressure
- 2" W.C. to 14" W.C. outlet pressure



SAP Number	Boiler Models	A	B	C	D	E	Ship Wt. (lbs)
100269922	FB 0751 - 1001	7-3/4"	-	1-1/4" NPT	10"	-	8
100269923	FB 1251 - 2001	7-3/4"	-	1-1/2" NPT	10"	-	8
100269924	FB 2501 - 3501	9-1/4"	-	2" NPT	12-1/2"	-	13
100269925	FB 4001 - 6001	-	17"	2-1/2" FLANGED	-	17-1/4"	28



Lochinvar, LLC
 300 Maddox Simpson Parkway
 Lebanon, Tennessee 37090
 P: 615.889.8900 / F: 615.547.1000
[f](#) [t](#) [in](#) [v](#) [y](#) [u](#) [e](#) [c](#) [o](#) [m](#) [L](#) [o](#) [c](#) [h](#) [i](#) [n](#) [v](#) [a](#) [r](#) [.c](#) [o](#) [m](#)