



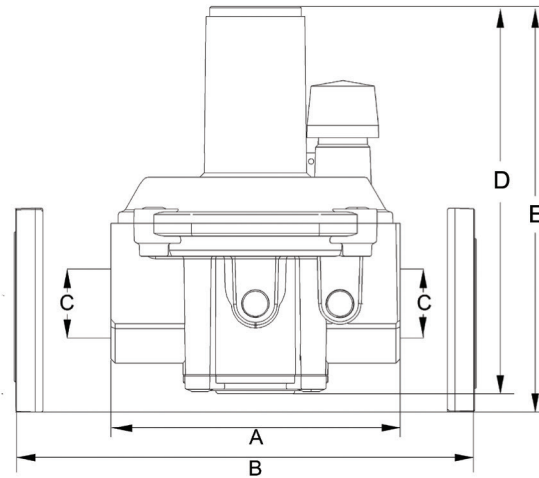
Lochinvar[®]
HIGH EFFICIENCY BOILERS & WATER HEATERS

**GAS REGULATOR
Submittal Sheet**

JOB NAME _____
LOCATION _____
ENGINEER _____
WHOLESALER _____
MECH. CONTRACTOR _____
MODEL NO. _____
TYPE GAS _____
Btu/hr INPUT _____
NOTES

STANDARD FEATURES

- › CSA 6.22a-2005 ANSI Z21.80A2005 Class I for outlet pressures up to 14" Certified.
- › Integral vent limiter
- › CSA approved External Vent Limiter – no vent line required
- › 500 to 1 Turndown
- › Positive 100% bubble tight Lock up regulator
- › Suitable for NG and LP
- › Suitable to indoor or outdoor installation
- › Up to 2 PSIG Inlet pressure
- › 2" W.C. to 14" W.C. Outlet pressure



SAP Number	Boiler Models	Dimensions					Weight (Lbs.)
		A	B	C	D	E	
100269922	FB 751 - 1251	7-3/4"	-	1-1/4" NPT	10"	-	7.5
100269923	FB 1501 - 2001	7-3/4"	-	1-1/2" NPT	10"	-	7.5
100269924	FB 2500 - 3500	9-1/4"	-	2" NPT	12-1/2"	-	12.5
100269925	FB 4000 - 5000	-	17"	2-1/2" Flanged	-	17-1/4"	27.5