



## **Insulated Outdoor Lock-Temp® Storage Tanks**

### **Insulated ASME Storage Tanks**

Lochinvar's Bare ASME Glass-Lined Storage Tanks are now available with optional spray-on polyurethane closed cell foam insulation. The durable foam insulation is specifically designed to withstand the rigors of an **outdoor** installation, with a top coat that provides protection from ultraviolet rays and external moisture. This insulated outdoor tank meets all ASHRAE requirements and provides an excellent alternative when limited space prohibits the placement of a tank indoors.

Rigid polyurethane foam is sprayed onto the tank to create a thick, strong layer of heat retaining insulation. The cured foam is then sealed with a weatherproof acrylic resin block filler top coat to provide protection from ultraviolet rays and inclement weather.

After the tank has been insulated and top-coated, it is skid mounted for shipment. The closed cell polyurethane foam insulation has a density of 3 pounds per cubic foot with a compressive strength of 30 psi and can withstand temperatures of up to 250°F.

#### **Outstanding Features:**

- Lock-Temp® Baffle
- Magnesium Anode Rods
- Glass-Lined Steel Tank
- ASME 125 psi Working Pressure - Standard
- ASME 150 psi Working Pressure - Optional
- Temperature and Pressure Gauge
- Manway - Optional on 34" and 40" diameter only
- Outdoor Foam Insulation
- ASTM E84-77a flame spread rating
- Lifting Lugs
- Seismic Attachment Points - Optional  
(must provide seismic zone or city/state of install)
- 5 Year Limited Tank Warranty  
(see warranty for details)



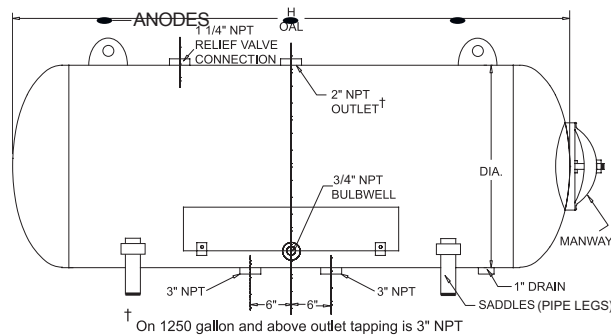
*Horizontal or Vertical construction is available.  
Consult factory for specific options.*

***All models meet or exceed the NAECA and ASHRAE Energy Efficiency Standards***

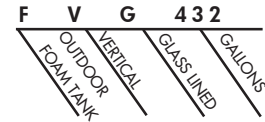
# Outdoor Insulated Tank Dimensions and Specifications

MODEL	DIA.*	H	V	GLASS-LINED WEIGHT (LBS)*	TAPPINGS		
		HORIZ. LENGTH*	VERT. HEIGHT*		A	B	C
FVG147	34"	52"	54"	418	15-3/4"	23-3/4"	31-3/4"
FVG184	34"	64"	66"	490	15-3/4"	23-3/4"	31-3/4"
FVG220	34"	76"	78"	574	15-3/4"	23-3/4"	31-3/4"
FVG257	34"	88"	90"	657	15-3/4"	23-3/4"	31-3/4"
FVG294	34"	100"	102"	735	15-3/4"	23-3/4"	31-3/4"
FVG367	34"	124"	126"	909	15-3/4"	23-3/4"	31-3/4"
FVG265	40"	64"	66"	604	17-1/2"	25-1/2"	33-1/2"
FVG318	40"	76"	78"	704	17-1/2"	25-1/2"	33-1/2"
FVG370	40"	88"	90"	806	17-1/2"	25-1/2"	33-1/2"
FVG423	40"	100"	102"	907	17-1/2"	25-1/2"	33-1/2"
FVG528	40"	124"	126"	1108	17-1/2"	25-1/2"	33-1/2"
FVG432	46"	76"	80"	832	18-3/4"	26-3/4"	34-3/4"
FVG504	46"	88"	90"	951	18-3/4"	26-3/4"	34-3/4"
FVG576	46"	100"	102"	1068	18-3/4"	26-3/4"	34-3/4"
FVG720	46"	124"	126"	1303	18-3/4"	26-3/4"	34-3/4"
FVG864	46"	148"	150"	1540	18-3/4"	26-3/4"	34-3/4"
FVG1008	46"	172"	174"	1776	18-3/4"	26-3/4"	34-3/4"
FVG658	52"	88"	90"	1395	20-3/4"	28-3/4"	36-3/4"
FVG752	52"	100"	102"	1563	20-3/4"	28-3/4"	36-3/4"
FVG940	52"	124"	126"	1896	20-3/4"	28-3/4"	36-3/4"
FVG1128	52"	148"	150"	2231	20-3/4"	28-3/4"	36-3/4"
FVG1315	52"	172"	174"	2564	20-3/4"	28-3/4"	36-3/4"
FVG951	58"	100"	102"	1784	22-3/4"	30-3/4"	38-3/4"
FVG1189	58"	124"	126"	2160	22-3/4"	30-3/4"	38-3/4"
FVG1427	58"	148"	150"	2542	22-3/4"	30-3/4"	38-3/4"
FVG1665	58"	172"	174"	2913	22-3/4"	30-3/4"	38-3/4"
FVG1469	64"	124"	126"	2870	24-3/4"	32-3/4"	40-3/4"
FVG1763	64"	148"	150"	3369	24-3/4"	32-3/4"	40-3/4"
FVG2056	64"	172"	174"	3867	24-3/4"	32-3/4"	40-3/4"
FVG2115	76"	124"	126"	3516	27-3/4"	35-3/4"	43-3/4"
FVG2538	76"	148"	150"	4114	27-3/4"	35-3/4"	43-3/4"
FVG2961	76"	172"	174"	4713	27-3/4"	35-3/4"	43-3/4"

\*Dimensions and weights include outdoor foam. (all approx.)  
Foam process applicable in tank sizes to 3,000 gallons.



**FOR EASE IN ORDERING  
BY MODEL NUMBER**

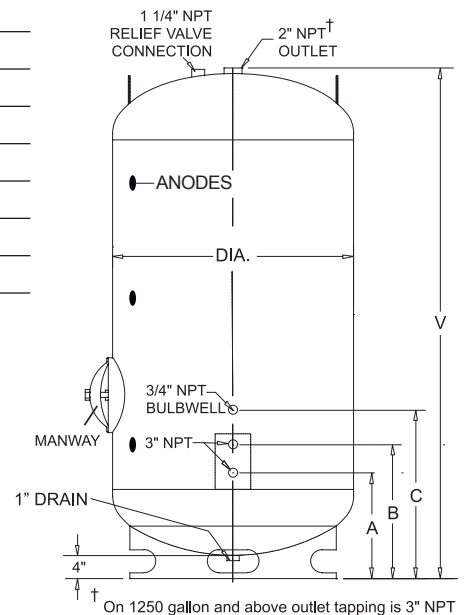


This is a vertical, glass lined tank with a 432 gallon capacity and outdoor foam insulation.

## Optional Equipment

R16 Insulation  
Manway - 34" and 40"  
Diameter Only

G = Glass lined  
H = Horizontal  
V = Vertical  
F = Outdoor Foam Tank



Lochinvar, LLC  
300 Maddox Simpson Parkway  
Lebanon, Tennessee 37090  
P: 615.889.8900 / F: 615.547.1000  
Lochinvar.com

