



Lochinvar[®]
HIGH EFFICIENCY BOILERS & WATER HEATERS

**LOCK-TEMP[®] OUTDOOR
STORAGE TANK
Submittal Sheet**

BOT-Sub-06

LOCK-TEMP[®] OUTDOOR STORAGE TANKS

JOB NAME _____

LOCATION _____

ENGINEER _____

WHOLESALE _____

MECH. CONTRACTOR _____

MODEL NO. _____

GALLON CAPACITY _____

TANK CONSTRUCTION _____

WORKING PRESSURE _____

DIMENSIONS _____

LINING _____

NOTES

_____ **HORIZONTAL** _____ **VERTICAL**

Standard Features:

- Lock-Temp[®] Baffle
- Magnesium Anode Rods
- Glass-Lined Steel Tank
- ASME 125 psi Working Pressure
- Outdoor Foam Insulation
- ASTM E84-77a flame spread rating
- Lifting Lugs
- 5 Year Limited Tank Warranty
(see warranty for details)

Optional Equipment:

Place an X in the box by all options that apply

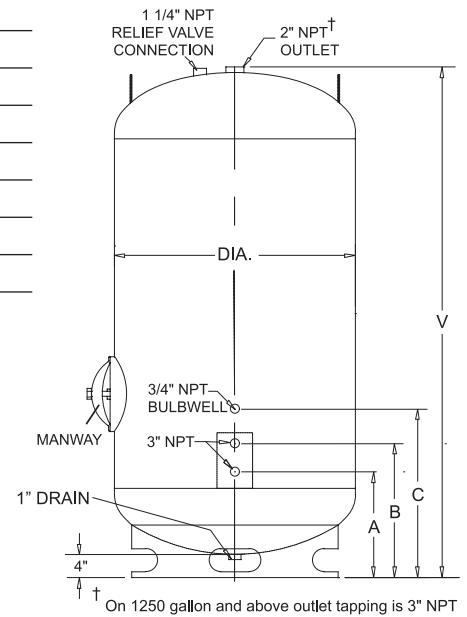
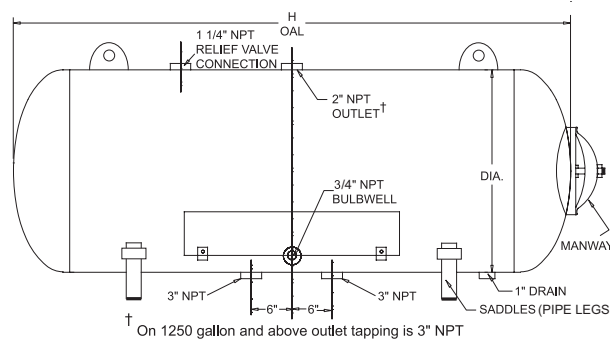
- R16 - Outdoor Foam Insulation
- Handhole
- Tank Saddles
- Manway (Optional on 34" and 40" diameter only)
- ASME 150 psi W.P.
- Additional Baffle
- Seismic Attachment Points (must provide seismic zone or city/state of install)

Bare Tank Dimensions and Specifications

MODEL	DIA.*	H		GLASS-LINED WEIGHT (LBS)*	TAPPINGS		
		HORIZ. LENGTH*	VERT. HEIGHT*		A	B	C
FVG147	34"	52"	54"	418	15-3/4"	23-3/4"	31-3/4"
FVG184	34"	64"	66"	490	15-3/4"	23-3/4"	31-3/4"
FVG220	34"	76"	78"	574	15-3/4"	23-3/4"	31-3/4"
FVG257	34"	88"	90"	657	15-3/4"	23-3/4"	31-3/4"
FVG294	34"	100"	102"	735	15-3/4"	23-3/4"	31-3/4"
FVG367	34"	124"	126"	909	15-3/4"	23-3/4"	31-3/4"
FVG265	40"	64"	66"	604	17-1/2"	25-1/2"	33-1/2"
FVG318	40"	76"	78"	704	17-1/2"	25-1/2"	33-1/2"
FVG370	40"	88"	90"	806	17-1/2"	25-1/2"	33-1/2"
FVG423	40"	100"	102"	907	17-1/2"	25-1/2"	33-1/2"
FVG528	40"	124"	126"	1108	17-1/2"	25-1/2"	33-1/2"
FVG432	46"	76"	80"	832	18-3/4"	26-3/4"	34-3/4"
FVG504	46"	88"	90"	951	18-3/4"	26-3/4"	34-3/4"
FVG576	46"	100"	102"	1068	18-3/4"	26-3/4"	34-3/4"
FVG720	46"	124"	126"	1303	18-3/4"	26-3/4"	34-3/4"
FVG864	46"	148"	150"	1540	18-3/4"	26-3/4"	34-3/4"
FVG1008	46"	172"	174"	1776	18-3/4"	26-3/4"	34-3/4"
FVG658	52"	88"	90"	1395	20-3/4"	28-3/4"	36-3/4"
FVG752	52"	100"	102"	1563	20-3/4"	28-3/4"	36-3/4"
FVG940	52"	124"	126"	1896	20-3/4"	28-3/4"	36-3/4"
FVG1128	52"	148"	150"	2231	20-3/4"	28-3/4"	36-3/4"
FVG1315	52"	172"	174"	2564	20-3/4"	28-3/4"	36-3/4"
FVG951	58"	100"	102"	1784	22-3/4"	30-3/4"	38-3/4"
FVG1189	58"	124"	126"	2160	22-3/4"	30-3/4"	38-3/4"
FVG1427	58"	148"	150"	2542	22-3/4"	30-3/4"	38-3/4"
FVG1665	58"	172"	174"	2913	22-3/4"	30-3/4"	38-3/4"
FVG1469	64"	124"	126"	2870	24-3/4"	32-3/4"	40-3/4"
FVG1763	64"	148"	150"	3369	24-3/4"	32-3/4"	40-3/4"
FVG2056	64"	172"	174"	3867	24-3/4"	32-3/4"	40-3/4"
FVG2115	76"	124"	126"	3516	27-3/4"	35-3/4"	43-3/4"
FVG2538	76"	148"	150"	4114	27-3/4"	35-3/4"	43-3/4"
FVG2961	76"	172"	174"	4713	27-3/4"	35-3/4"	43-3/4"

*Dimensions and weights include outdoor foam. (all approx.)
Foam process applicable in tank sizes to 3,000 gallons.

G = Glass lined
H = Horizontal
V = Vertical
F = Outdoor Foam Tank



Lochinvar, LLC
300 Maddox Simpson Parkway
Lebanon, Tennessee 37090
P: 615-889-8900 / F: 615-547-1000
Lochinvar.com

