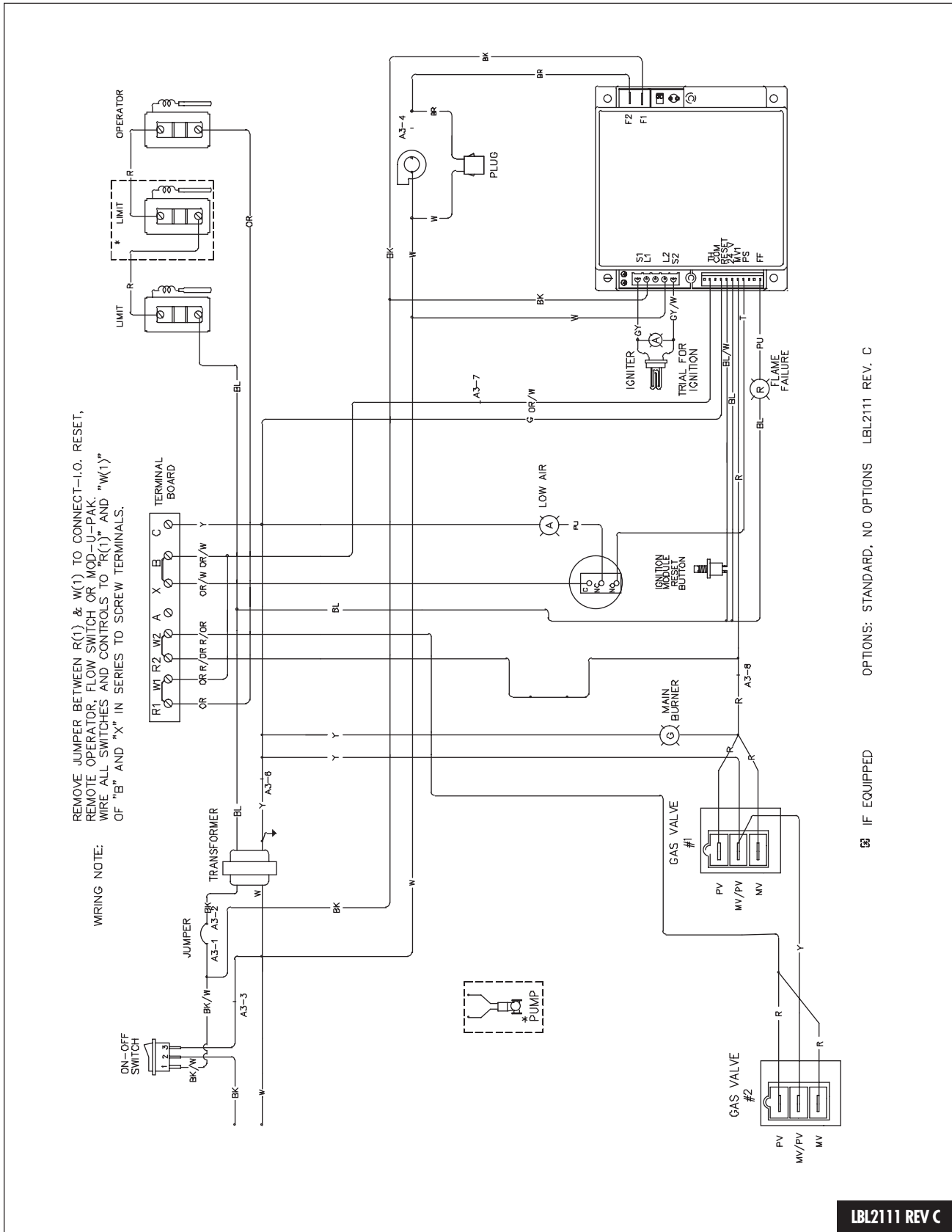


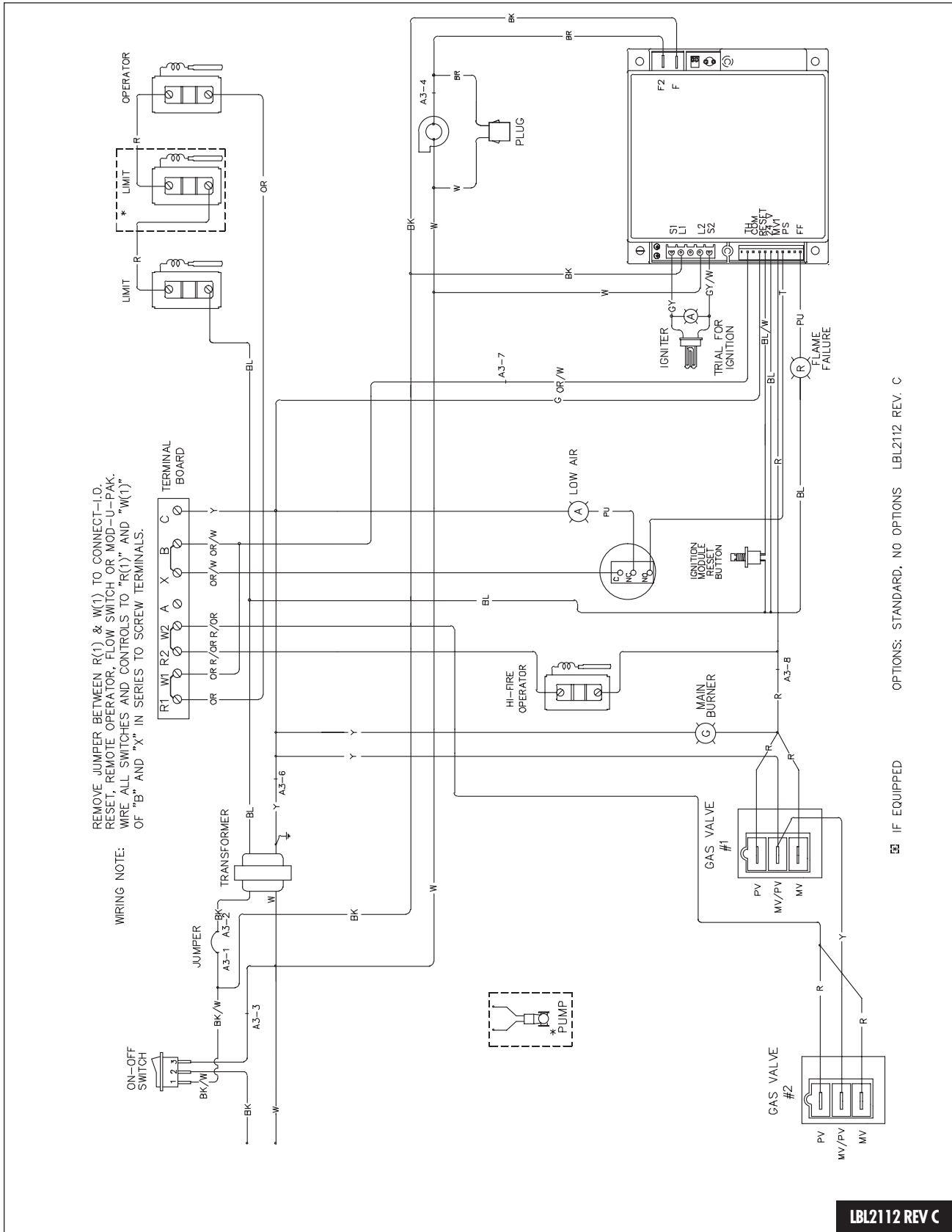


**COPPER-FIN[®] BOILER
WIRING DIAGRAMS**
Supplement A

495,000 – 3,080,000 BTUs

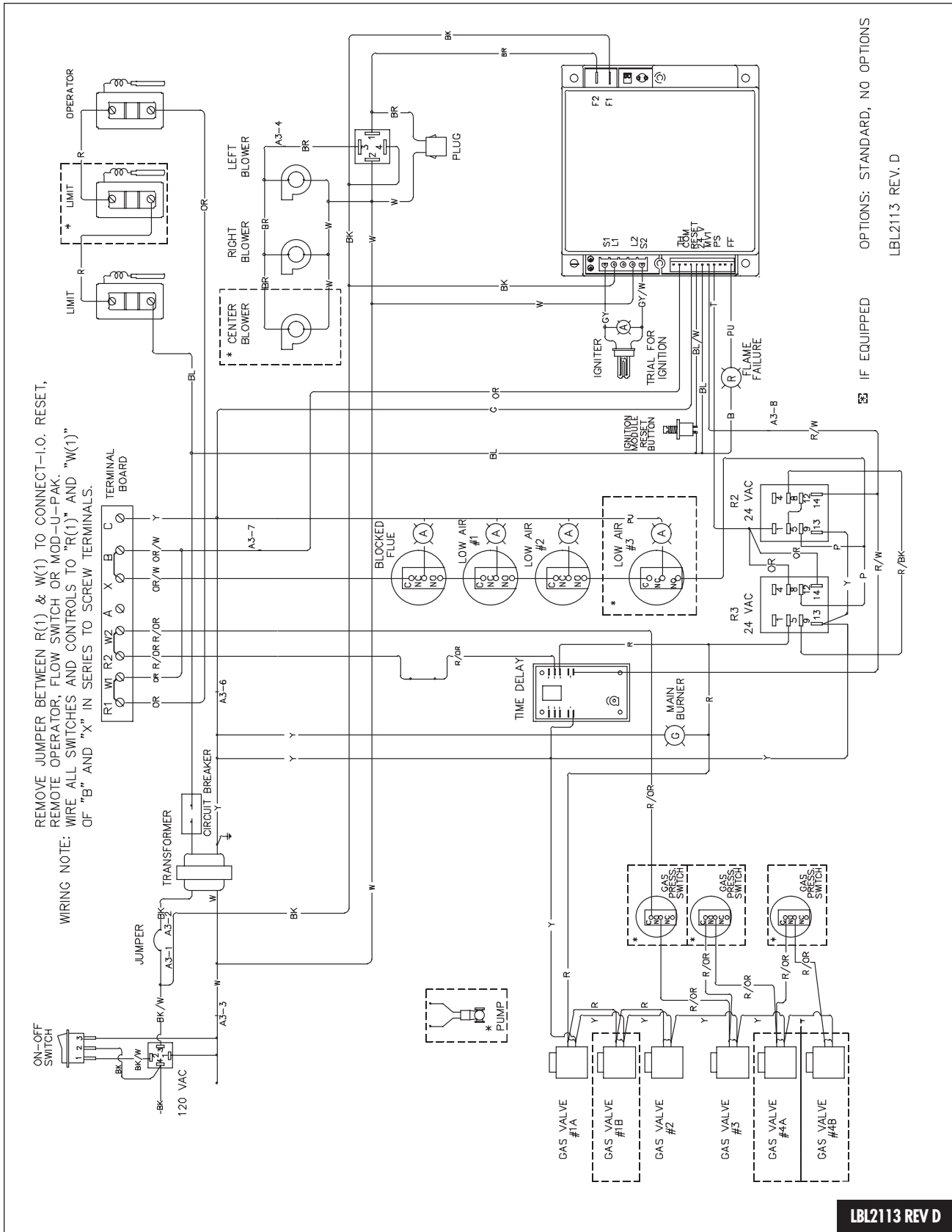


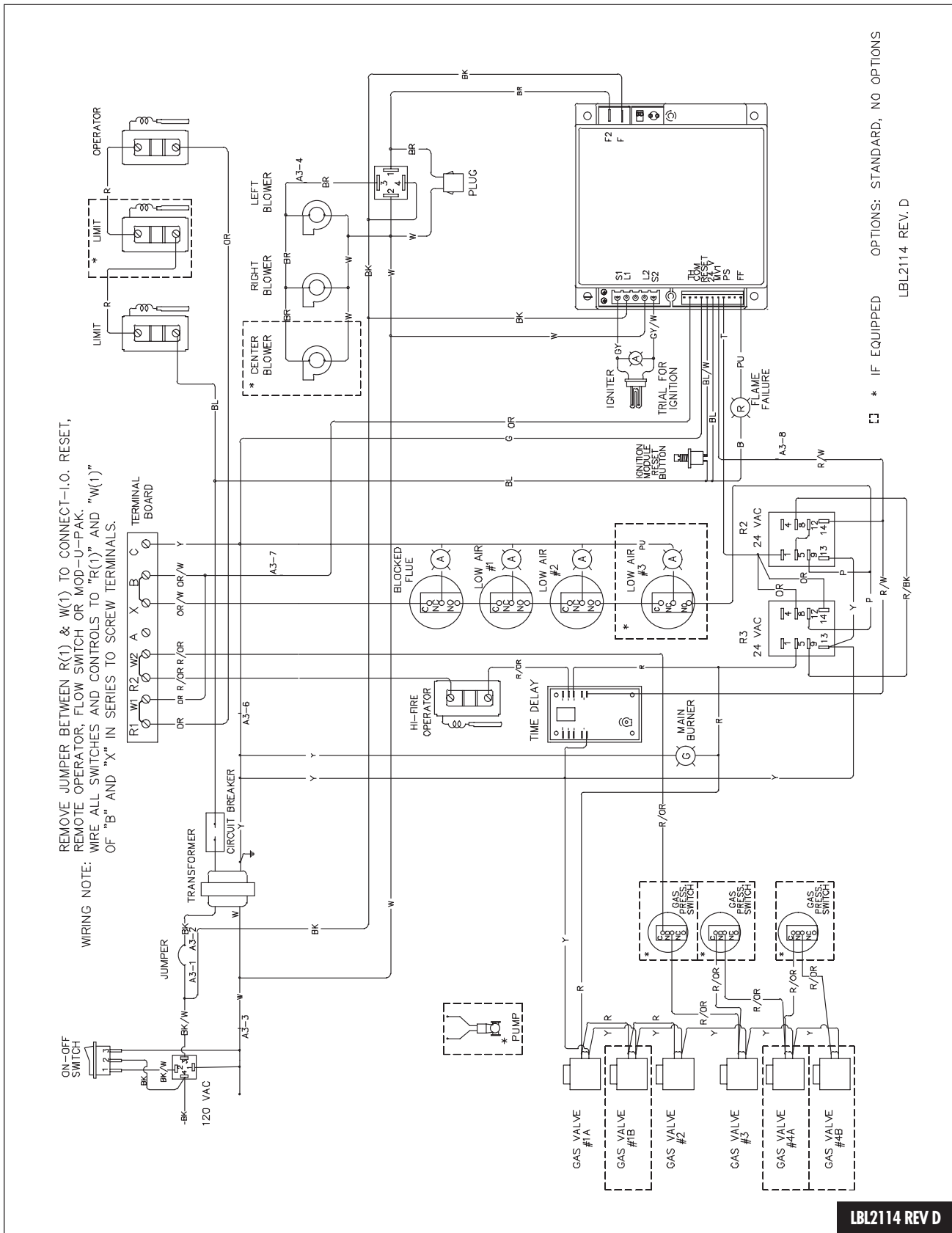
LBL2111 REV C

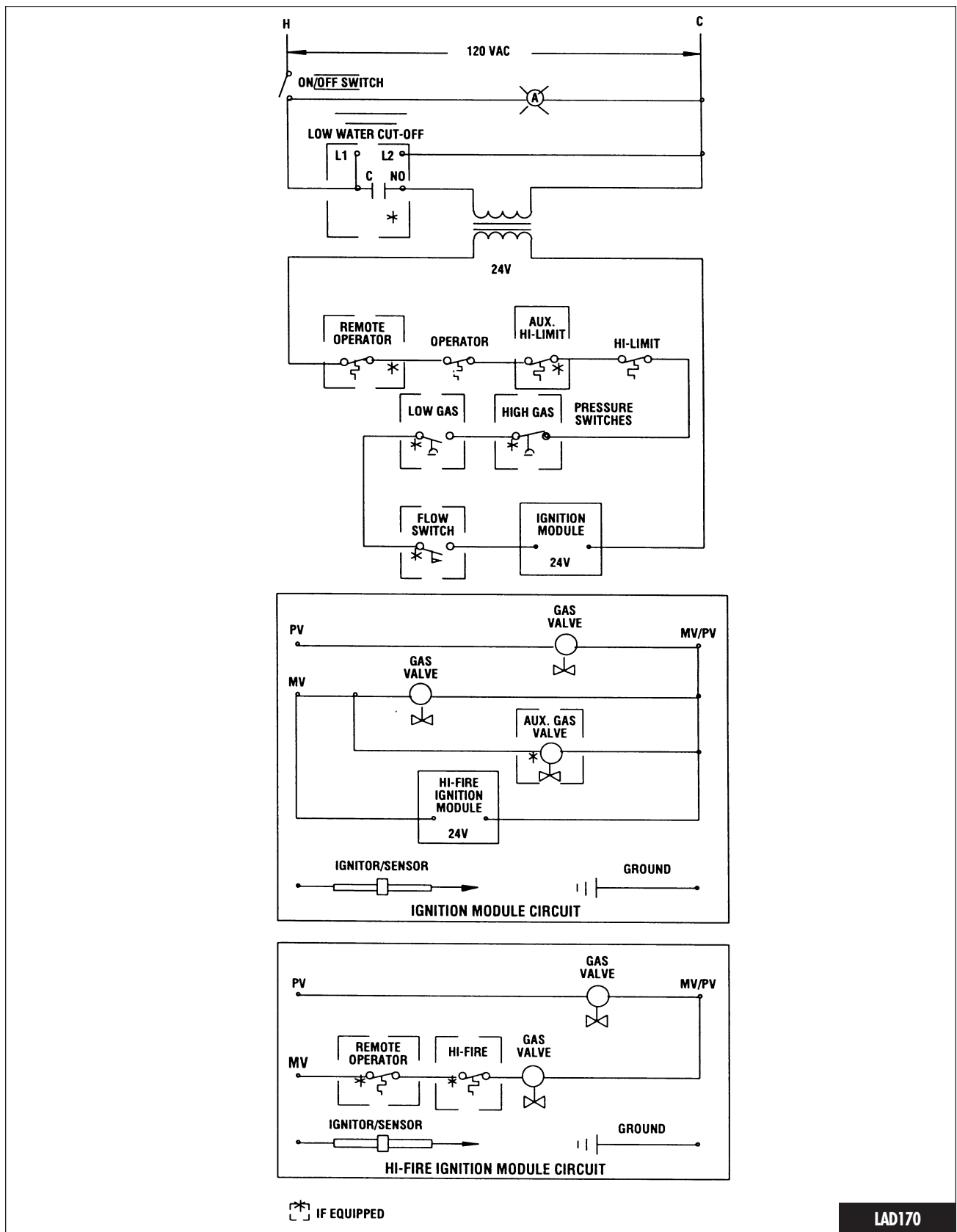


IF EQUIPPED OPTIONS: STANDARD, NO OPTIONS LBL2112 REV. C

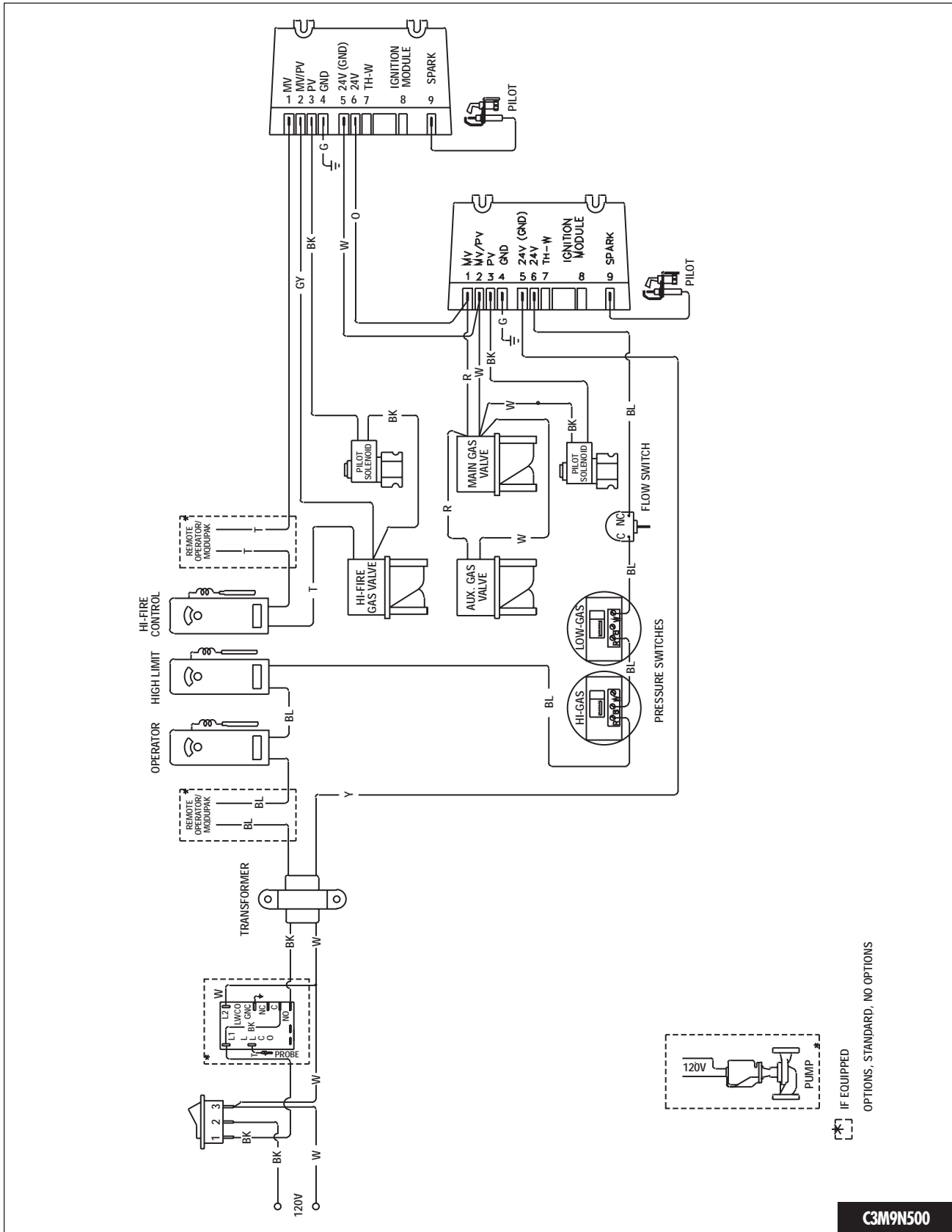
LBL2112 REV C







LAD170



[*] IF EQUIPPED
 [] OPTIONS, STANDARD, NO OPTIONS

C3M9N500



Lochinvar Corporation • Nashville, TN • 615/889-8900 • Fax 615/885-4403
www.Lochinvar.com