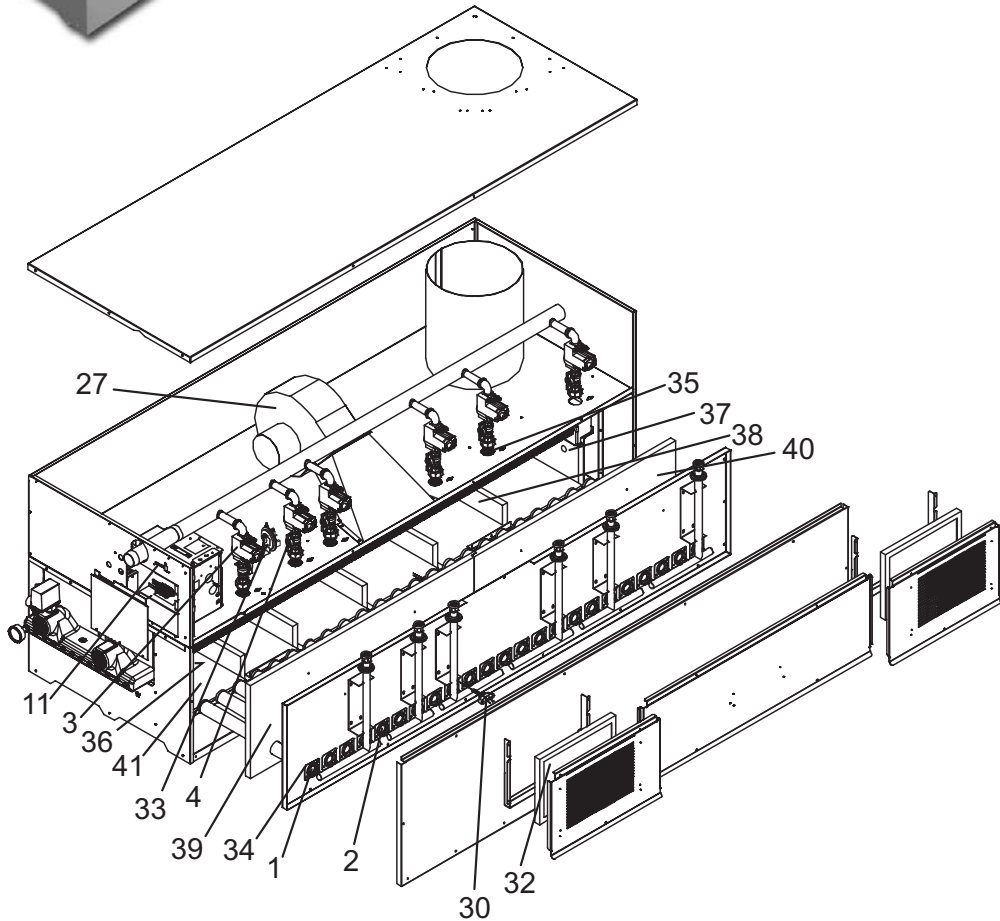




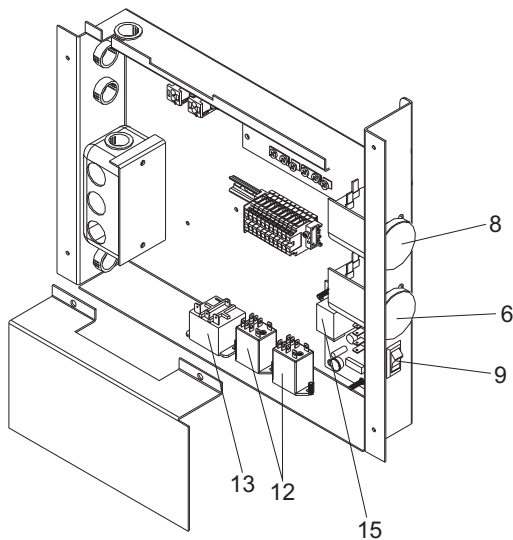
PARTS AND SERVICE DEPARTMENT
 Nashville, Tennessee
 615-889-8900 • Fax: 615-547-1000
 www.Lochinvar.com

Replacement Parts List

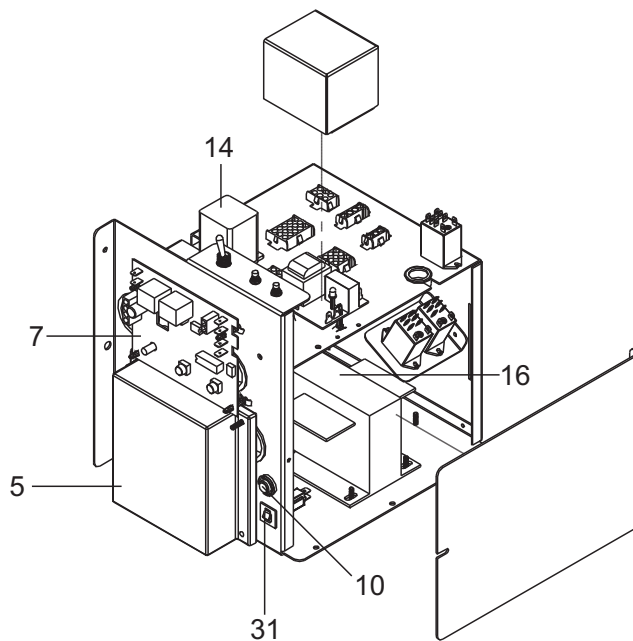
**Copper-Fin®
 Boilers & Water Heaters
 CB—CW—986 - 2066**



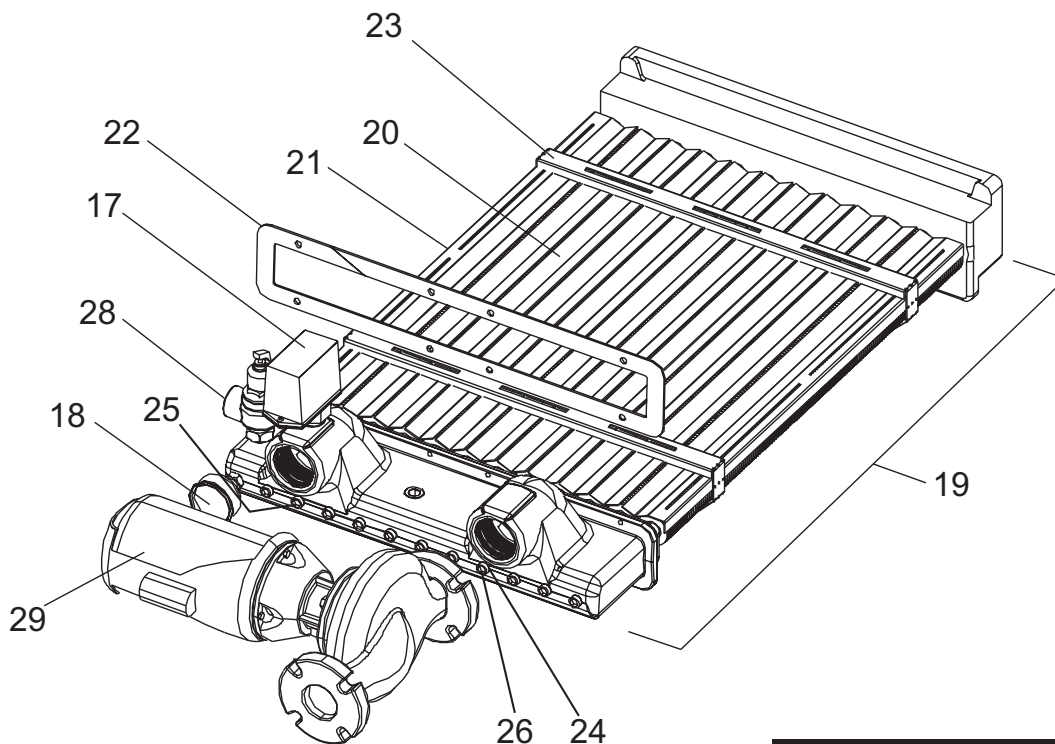
ELECTRICAL BOX



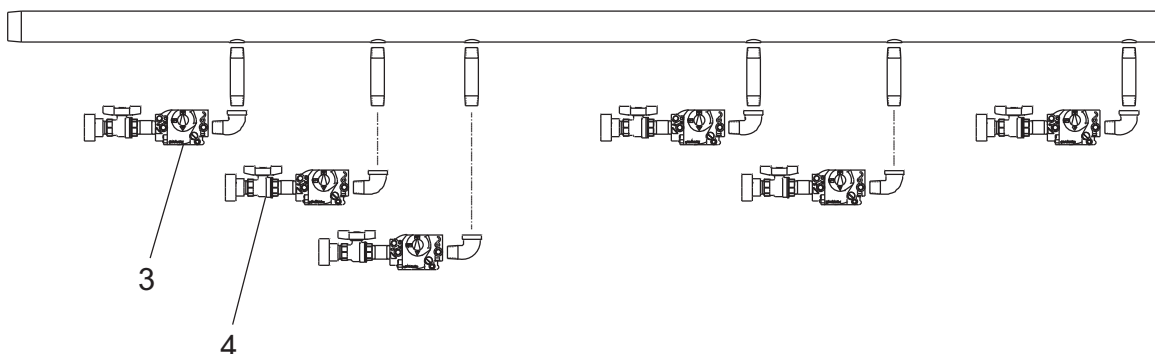
CONTROL BOX



HEAT EXCHANGER ASSEMBLY



GAS TRAIN



ITEM NO.	PART NO.	DESCRIPTION	MODEL NO.
BURNERS			
1	BNR3422 - MAIN BURNER BNR3423 - MAIN BURNER W/ BARB FITTING *BEFORE SERIAL #E05H00176040 BNR3430 - MAIN BURNER W/ COMPRESSION FITTING	Model	BNR3423*
		986	1 ea
		1256	1 ea
		1436	1 ea
		1796	1 ea
		BNR3430**	BNR3422
		1 ea	10 ea
		1 ea	13 ea
		1 ea	15 ea
		1 ea	19 ea
		1 ea	22 ea
GAS TRAIN ASSEMBLIES			
2	ORF2421	ORIFICE, NAT.	C(B,W)N986-2066
2	ORF2418	ORIFICE, LPG	C(B,W)L986-2066
3	VAL2076	GAS VALVE, NAT	C(B,W)N986-2066
3	VAL2413	GAS VALVE, LPG	C(B,W)L986-2066
4	VAL2421	BALL VALVE	ALL
CONTROLS & GAUGES			
5	RLY2402	MODULE, IGNITION	ALL
6	HLC2701	AUTO RESET HIGH LIMIT	ALL (OPTIONAL)
7	TST2314	THERMOSTAT TWO STAGE	ALL
8	HLC2702	MANUAL RESET HIGH LIMIT	ALL
9	SWT2006	SWITCH, ON/OFF	ALL
10	SWT2004	SWITCH, ROUND PUSH BUTTON	ALL
11	RLY2044	BOARD DISPLAY	ALL
12	RLY2051	RELAY, 10 AMP DPDT	ALL
13	RLY2052	RELAY, PANEL MOUNT, 30 AMP	ALL
14	RLY2424	RELAY, 24 V	ALL
15	RLY2714	ADJ RELAY	ALL
16	TRF2701	TRANSFORMER	ALL
17	WTR2041	FLOW SWITCH	ALL
18	GTP2900	GAUGE TEMP & PRESSURE	CB986-2066
18	GTP3000	GAUGE TEMPERATURE	CW986-2066
HEAT EXCHANGERS			
19	HEX3000	HEAT EXCHANGER	CW986
19	HEX3001	HEAT EXCHANGER	CW1256
19	HEX3002	HEAT EXCHANGER	CW1436
19	HEX3003	HEAT EXCHANGER	CW1796
19	HEX3004	HEAT EXCHANGER	CW2066
19	HEX3420	HEAT EXCHANGER	CB986
19	HEX3421	HEAT EXCHANGER	CB1256
19	HEX3422	HEAT EXCHANGER	CB1436
19	HEX3423	HEAT EXCHANGER	CB1796
19	HEX3424	HEAT EXCHANGER	CB2066
20	JKE2004	V-BAFFLE	C(B,W)986
20	JKE2005	V-BAFFLE	C(B,W)1256
20	JKE2006	V-BAFFLE	C(B,W)1436
20	JKE2007	V-BAFFLE	C(B,W)1796
20	JKE2008	V-BAFFLE	C(B,W)2066
21	JKE6159	FRAME RUNNER	C(B,W)986
21	JKE6160	FRAME RUNNER	C(B,W)1256
21	JKE6161	FRAME RUNNER	C(B,W)1436
21	JKE6162	FRAME RUNNER	C(B,W)1796
21	JKE6163	FRAME RUNNER	C(B,W)2066
22	GKT2418	HEAT SHIELD GASKET	ALL
23	JKD6187	FRAME END	ALL
MISCELLANEOUS			
24	TST2300	BULB WELL	ALL
25	TST2305	BULB WELL 3/4 THERMOSTAT PF	ALL
26	TST2032	SENSOR	ALL
27	FAN2010	FAN ASSEMBLY	C(B,W)986-1256
27	FAN2011	FAN ASSEMBLY	C(B,W)1436-2066
28	RLV2001	RELIEF VALVE, PRESSURE ONLY	CB986-2066
28	RLV2017	RELIEF VALVE, TEMP & PRESSURE	CW986-2066
29	ARM3024PAB	PUMP	CW986-2066
30	PLT3400	IGNITOR	ALL
31	MSC2447	CIRCUIT BREAKER	ALL
32	FIL2001	FILTER AIR	ALL
33	PRS2422	PRESSURE SWITCH, NAT BEFORE SERIAL# E05H00176040	C(B,W) 1436
33	PRS2014	PRESSURE SWITCH, NAT AFTER SERIAL# E05H00176040	C(B,W) 1436
33	PRS2426	PRESSURE SWITCH, NAT BEFORE SERIAL# E05H00176040	C(B,W) 986,1256,1796, 2066
33	PRS2013	PRESSURE SWITCH, NAT AFTER SERIAL# E05H00176040	C(B,W) 986,1256,1796, 2066
33	PRS2010	PRESSURE SWITCH, L.P. BEFORE SERIAL# E05H00176040	C(B, W) 986-2066
33	PRS2013	PRESSURE SWITCH, L.P. AFTER SERIAL# E05H00176040	C(B, W) 986-2066
NOTE: CB = BOILER, CW = WATER HEATER			
PLEASE HAVE MODEL NUMBER AND SERIAL NUMBER WHEN ORDERING PARTS.			

ITEM NO.	PART NO.	DESCRIPTION	MODEL NO.
MISCELLANEOUS (Continued)			
34	GKT2429	GASKET BURNER	ALL
35	GKT2427	GASKET ESCUTCHEON	ALL
-	GKT3408	GASKET STRIP	ALL
-	GKT2012	GASKET IGNITOR	ALL
-	GKT30000	ROLL 25' PVC GKT 1/4 X 5/8 W/P	ALL
-	PRS2004	LOW GAS PRESSURE SWITCH - NAT.	C(B, W)N 986-2066
-	MSC3415	SIGHT GLASS KIT	ALL
-	TUB2002	TUBING-AIR PRESSURE BEFORE SERIAL# E05H00176040	ALL
-	TUB2004	TUBING-AIR PRESSURE AFTER SERIAL# E05H00176040	ALL
-	MSC2461	TUBING, SILICONE	ALL
-	MSC7119	CLIP, BULB WELL	ALL
-	WTR2530	LOW WATER CUTOFF, MANUAL RESET (OPTIONAL) PRIOR TO H08H00211329	ALL
-	WTR30000	LOW WATER CUTOFF, MANUAL RESET (OPTIONAL) BEGINNING H08H00211329	ALL
-	WTR2528	LOW WATER CUTOFF, AUTO RESET (OPTIONAL) PRIOR TO H08H00211329	ALL
-	WTR30001	LOW WATER CUTOFF, AUTO RESET (OPTIONAL) BEGINNING H08H00211329	ALL
-	WTR2532	LOW WATER CUTOFF PROBE (OPTIONAL) PRIOR TO H08H00211329	ALL
-	WTR2222	LOW WATER CUTOFF PROBE (OPTIONAL) BEGINNING H08H00211329	ALL
-	WTR2533	LOW WATER CUTOFF BOOT (OPTIONAL) PRIOR TO H08H00211329	ALL
-	WTR20000	LOW WATER CUTOFF BOOT (OPTIONAL) BEGINNING H08H00211329	ALL
LOCH-HEAT TILE			
36	FIB2204	INSULATION FRONT HEAD SIDE PANEL	ALL
37	FIB2205	INSULATION REAR HEAD SIDE PANEL	ALL
38	FIB2228	DIVIDER PANEL	ALL
39	FIB2231	FRONT PANEL	C(B,W)986
39	FIB2232	FRONT PANEL	C(B,W)1256
39	FIB2233	FRONT LEFT PANEL	C(B,W)1436
40	FIB2234	FRONT RIGHT PANEL	C(B,W)1436
39	FIB2220	FRONT LEFT PANEL	C(B,W)1796
40	FIB2236	FRONT RIGHT PANEL	C(B,W)1796
39	FIB2254	FRONT LEFT PANEL	C(B,W)2066
40	FIB2255	FRONT RIGHT PANEL	C(B,W)2066
-	FIB2203	BACK PANEL	C(B,W)986
-	FIB2209	BACK PANEL	C(B,W)1256
-	FIB2217	INSULATION, BACK RIGHT	C(B,W)1436,1796,2066
-	FIB2216	INSULATION, BACK LEFT	C(B,W)1436
-	FIB2229	INSULATION, BACK LEFT	C(B,W)1796
-	FIB2230	INSULATION, BACK LEFT	C(B,W)2066
-	FIB2258	INSULATION PAD, BACK	C(B,W)986,1256,1436
-	FIB2260	INSULATION PAD, BACK	C(B,W)1796,2066
-	FIB2257	INSULATION PAD, TOP	C(B,W)986,1256,1436
-	FIB2259	INSULATION PAD, TOP	C(B,W)1796,2066
-	FIB2256	INSULATION PAD, RIGHT SIDE	ALL
LOCH-HEAT TILE BOTTOM PANELS			
41	FIB2206	BOTTOM PANEL POSITION 1*	C(B,W)986
41	FIB2207	BOTTOM PANEL POSITION 2*	C(B,W)986
41	FIB2208	BOTTOM PANEL POSITION 3*	C(B,W)986
41	FIB2211	BOTTOM PANEL POSITION 1*	C(B,W)1256
41	FIB2212	BOTTOM PANEL POSITION 2 & 3*	C(B,W)1256
41	FIB2207	BOTTOM PANEL POSITION 4*	C(B,W)1256
41	FIB2218	BOTTOM PANEL POSITION 1*	C(B,W)1436
41	FIB2207	BOTTOM PANEL POSITION 2 & 3*	C(B,W)1436
41	FIB2219	BOTTOM PANEL POSITION 4*	C(B,W)1436
41	FIB2222	BOTTOM PANEL POSITION 1*	C(B,W)1796
41	FIB2207	BOTTOM PANEL POSITION 2, 3, & 4*	C(B,W)1796
41	FIB2223	BOTTOM PANEL POSITION 5*	C(B,W)1796
41	FIB2226	BOTTOM PANEL POSITION 1*	C(B,W)2066
41	FIB2212	BOTTOM PANEL POSITION 2*	C(B,W)2066
41	FIB2207	BOTTOM PANEL POSITION 3, 4, & 5*	C(B,W)2066
41	FIB2227	BOTTOM PANEL POSITION 6*	C(B,W)2066

*DENOTES PLACEMENT ORDER OF COMBUSTION CHAMBER BOTTOM TILE FROM LEFT TO RIGHT (Front to rear heat exchanger head)

**NOTE: CB = BOILER, CW = WATER HEATER
PLEASE HAVE MODEL NUMBER AND SERIAL NUMBER WHEN ORDERING PARTS.**