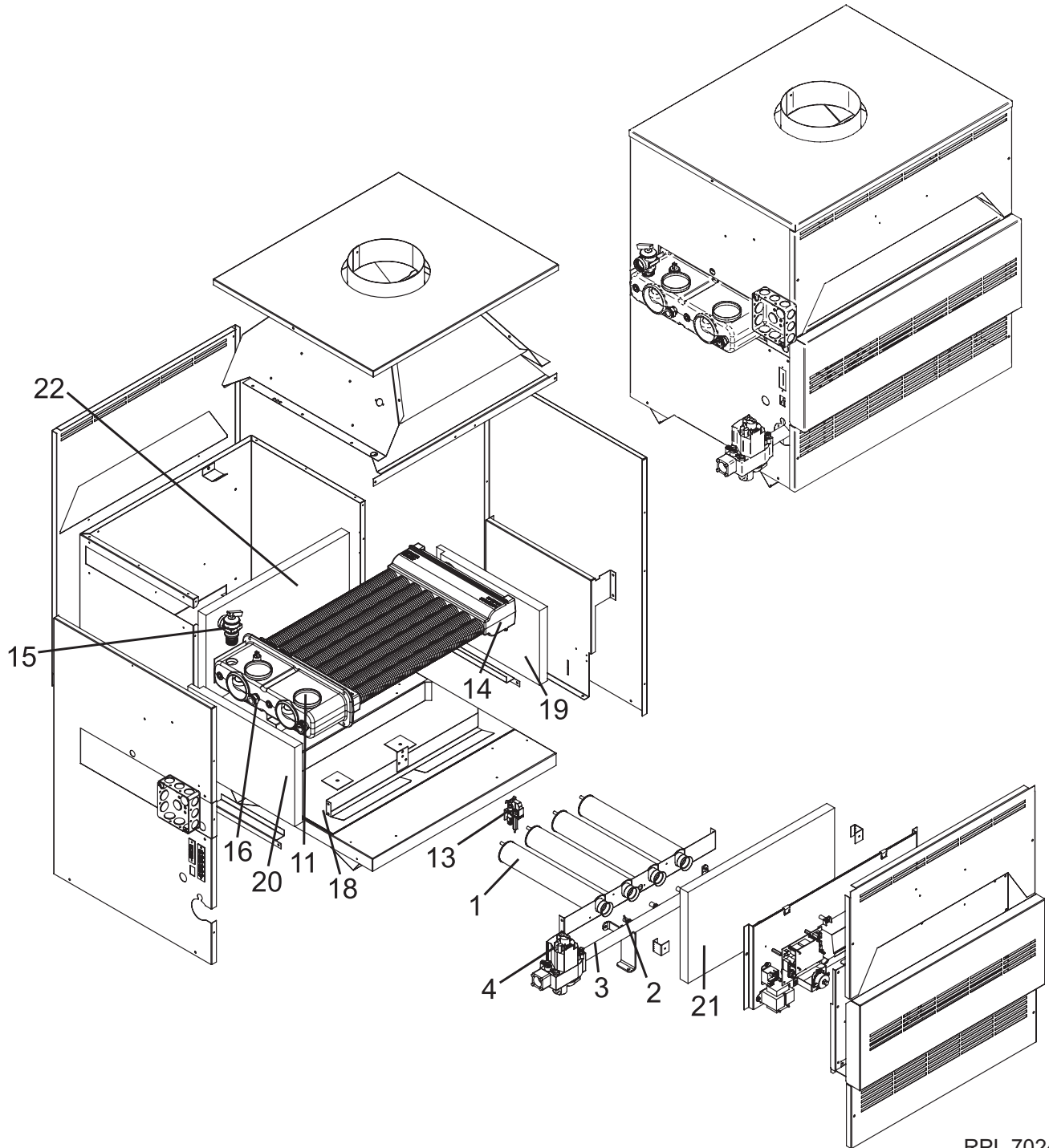




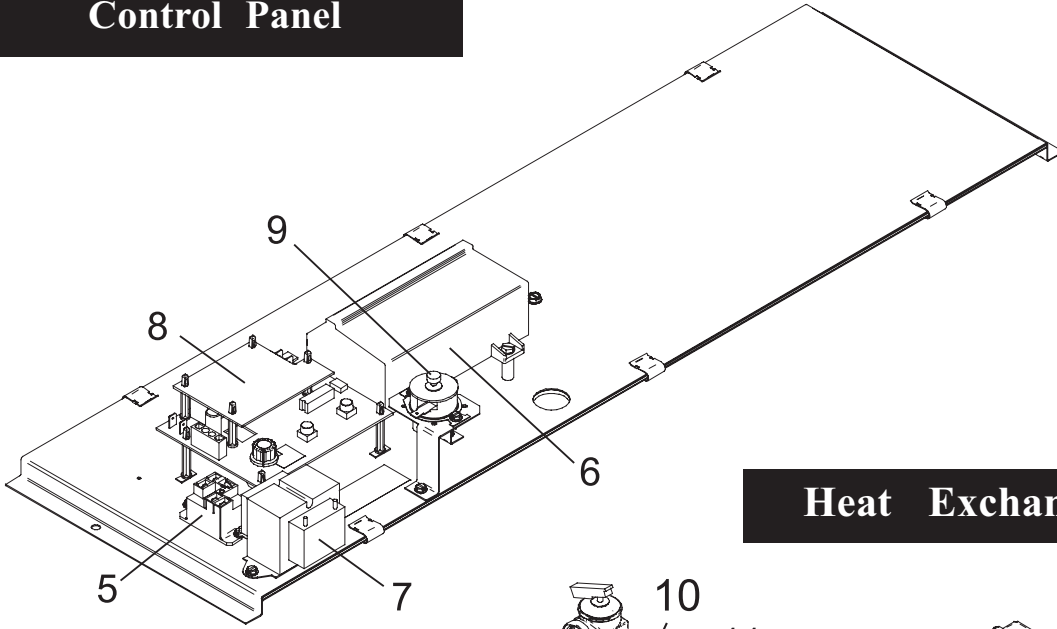
PARTS AND SERVICE DEPARTMENT
 Nashville, Tennessee
 615-889-8900 • Fax: 615-547-1000
 www.Lochinvar.com

Replacement Parts List

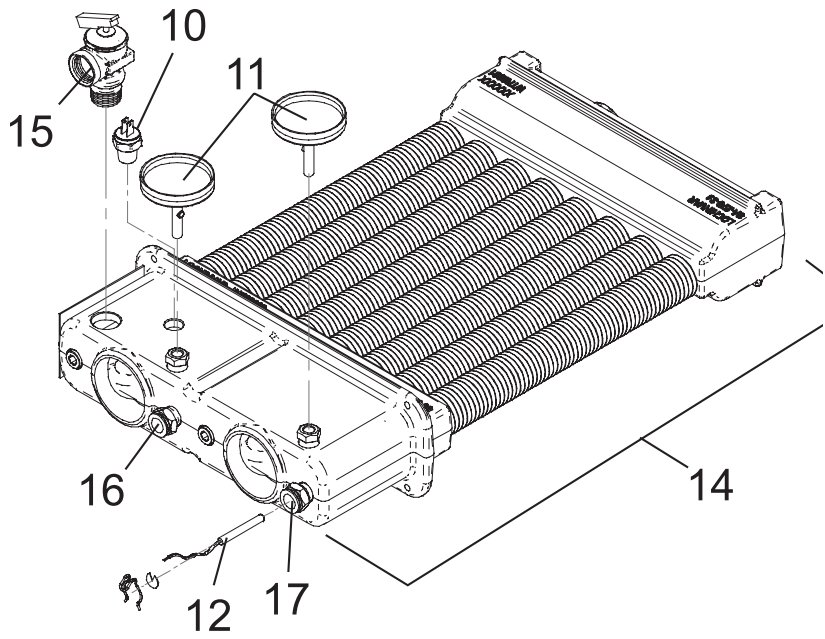
Copper-Fin[®]
Boilers - CB 315-500
Water Heaters - CW 90-500
Before serial #H06H00189863



Control Panel

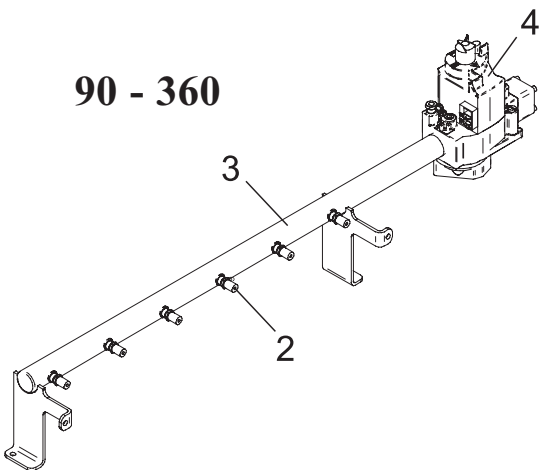


Heat Exchanger Assembly

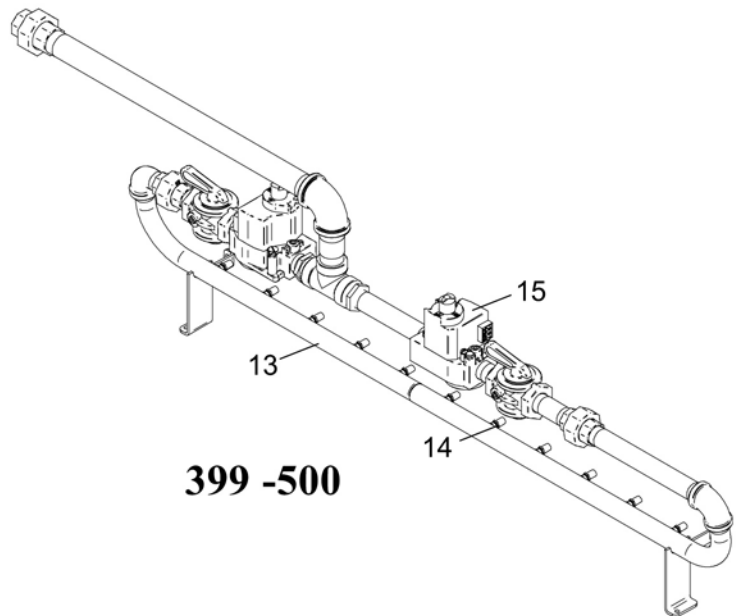


Gas Trains

90 - 360



399 - 500



ITEM NO.	PART NO.	DESCRIPTION	MODEL NO.
LOCH-HEAT® TILE			
2	FIB2964	INSULATION, BOTTOM	90
2	FIB2965	INSULATION, BOTTOM	135
2	FIB2966	INSULATION, BOTTOM	180
2	FIB2967	INSULATION, BOTTOM	199-225
2	FIB2968	INSULATION, BOTTOM	270
2	FIB2969	INSULATION, BOTTOM	315
2	FIB2970	INSULATION, BOTTOM	360
2	FIB2971	INSULATION, BOTTOM	399
2	FIB2972	INSULATION, BOTTOM	500
6	FIB2973	LOCH-HEAT TILE, SIDE RIGHT	ALL
3	FIB2942	LOCH-HEAT TILE, SIDE LEFT	ALL
7	FIB2945	LOCH-HEAT TILE, FRONT	90
7	FIB2947	LOCH-HEAT TILE, FRONT	135
7	FIB2949	LOCH-HEAT TILE, FRONT	180
7	FIB2951	LOCH-HEAT TILE, FRONT	199-225
7	FIB2953	LOCH-HEAT TILE, FRONT	270
7	FIB2955	LOCH-HEAT TILE, FRONT	315
7	FIB2957	LOCH-HEAT TILE, FRONT	360
7	FIB2959	LOCH-HEAT TILE, FRONT	399
7	FIB2961	LOCH-HEAT TILE, FRONT	500
23	FIB2946	LOCH-HEAT TILE, BACK	90
23	FIB2948	LOCH-HEAT TILE, BACK	135
23	FIB2950	LOCH-HEAT TILE, BACK	180
23	FIB2952	LOCH-HEAT TILE, BACK	199-225
23	FIB2954	LOCH-HEAT TILE, BACK	270
23	FIB2956	LOCH-HEAT TILE, BACK	315
23	FIB2958	LOCH-HEAT TILE, BACK	360
23	FIB2960	LOCH-HEAT TILE, BACK	399
23	FIB2962	LOCH-HEAT TILE, BACK	500
HEAT EXCHANGERS			
5	HEX3863	HEAT EXCHANGER H	CB315
5	HEX3864	HEAT EXCHANGER H	CB360
5	HEX3865	HEAT EXCHANGER H	CB399
5	HEX3866	HEAT EXCHANGER H	CB500
5	HEX3867	HEAT EXCHANGER HLW	CW090
5	HEX3868	HEAT EXCHANGER HLW	CW135
5	HEX3869	HEAT EXCHANGER HLW	CW180
5	HEX3896	HEAT EXCHANGER HLW	CW199
5	HEX3870	HEAT EXCHANGER HLW	CW225
5	HEX3871	HEAT EXCHANGER HLW	CW270
5	HEX3872	HEAT EXCHANGER HLW	CW315
5	HEX3873	HEAT EXCHANGER HLW	CW360
5	HEX3874	HEAT EXCHANGER HLW	CW399
5	HEX3875	HEAT EXCHANGER HLW	CW500
PUMPS			
	ARM3045PAB	PUMP, WTR. HEATER	ALL CW
CONTROLS			
8	RLY2052	RELAY, PUMP	ALL CW
8	RLY2105	RELAY, PUMP	ALL CB
9	RLY2023	IGNITION MODULE	CW90-270 & CB / CW315-399
9	RLY2017	IGNITION MODULE	CB / CW500
10	TRF2002	TRANSFORMER 50V.A.	ALL
16	HLC2909	HIGH LIMIT	CB315-500
16	HLC2303	HIGH LIMIT	CW90-500
19	TST2600	OVERHEAT, LIMIT MANUAL RESET	ALL CW
20	TST2314	THERMOSTAT BOARD	ALL CB
20	TST5314	THERMOSTAT BOARD	ALL CW
21	TST2032	TEMPERATURE SENSOR	ALL
24	GTP2900	TRIOMETER GUAGE 75# PSI	ALL CB
24	GTP2002	TEMP, GUAGE	ALLCW
-	HLC2903	ROLLOUT SWITCH 250 DEG	CW90-135-180-225 / CB & CW315/360
-	HLC2906	ROLLOUT SWITCH 200 DEG	CW199
-	HLC2908	ROLLOUT SWITCH 220 DEG	CW270-CB & CW399-500
-	HLC2903	SPILL SWITCH 250 DEG	CW90, 135, 199, 225 / CB & CW399-500
-	HLC2906	SPILL SWITCH 200 DEG	CW270
-	HLC2908	SPILL SWITCH 280 DEG	CW180, CB/CW 315-360

PLEASE HAVE MODEL NUMBER AND SERIAL NUMBER WHEN ORDERING PARTS

ITEM NO.	PART NO.	DESCRIPTION	MODEL NO.
PILOT & BURNER ASSEMBLIES			
11	BNR2903	MAIN BURNER	ALL
12	PLT2016	PILOT, INTERMITTENT, NAT. F1	CW090-270
12	PLT2908	PILOT, INTERMITTENT, NAT. F9	CB/CW315-500
12	PLT2909	PILOT, INTERMITTENT, LP. F9	CB/CW315-500
12	PLT2017	PILOT, INTERMITTENT, LP. F1	CW090-270
13	MAN2935	GAS MANIFOLD	CW090
13	MAN2936	GAS MANIFOLD	CW135
13	MAN2937	GAS MANIFOLD	CW180
13	MAN2938	GAS MANIFOLD	CW199/225
13	MAN2939	GAS MANIFOLD	CW270
13	MAN2940	GAS MANIFOLD	CB/CW315
13	MAN2941	GAS MANIFOLD	CB/CW 360
13	MAN2942	GAS MANIFOLD	CB/CW399
13	MAN2943	GAS MANIFOLD	CB/CW500
14	ORF2419	ORIFICE, MAIN BNR. NAT.3.2MM	ALL
14	ORF2402	ORIFICE, MAIN BNR. LPG .2.0MM	ALL
-	PLT2903	THERMOCOUPLE F-1	CW090-270
GAS VALVES			
15	VAL2922	GAS VALVE, NAT. F1	CW90-135
15	VAL2920	GAS VALVE, NAT. F1	CW180-225-270
15	VAL2920	GAS VALVE, NAT. M9	CW315-360
15	VAL2927	GAS VALVE, NAT. F1	CW199
15	VAL2904	GAS VALVE, NAT. F9	CW90-135
15	VAL2928	GAS VALVE, NAT. F9	CW180-225-270 & CB/CW 315-500
15	VAL2934	GAS VALVE, NAT. F9	CW199
15	VAL2901	GAS VALVE, LPG. F1	CW90-135
15	VAL2921	GAS VALVE, LPG. F1	CW180-225-270
15	VAL2933	GAS VALVE, LPG. M9	CW315-360
15	VAL2936	GAS VALVE, LPG. F1	W199
15	VAL2905	GAS VALVE, LPG. F9	CW90-135
15	VAL2929	GAS VALVE, LPG. F9	CW180-225-270 & CB/CW 315-500
15	VAL2935	GAS VALVE, LPG. F9	CW199
MISCELLANEOUS			
-	JKR2060	V-BAFFLE	CW90
-	JKR2061	V-BAFFLE	CW135
-	JKR2062	V-BAFFLE	CW180
-	JKR2179	V-BAFFLE	CW225 - 199
-	JKR2180	V-BAFFLE	CW270
-	JKR2181	V-BAFFLE	CB/CW315
-	JKR2182	V-BAFFLE	CB/CW360
-	JKR2307	V-BAFFLE	CB/CW399
-	JKR2308	V-BAFFLE	CB/CW500
25	RLV2006	RELIEF VALVE, T&P	CW090-360
25	RLV2005	RELIEF VALVE, PRESSURE	CB315-360
25	RLV2017	RELIEF VALVE, T&P	CW399-500
25	RLV2001	RELIEF VALVE, PRESSURE	CB399-500
27	TST2300	BULB WELL	ALL CB
27	TST2301	BULB WELL	ALL CW
28	TST2306	BULB WELL	ALL
OPTIONS (NOT PICTURED)			
-	DRH2935	FLUE DAMPER - 5"	90
-	DRH2936	FLUE DAMPER - 6"	135
-	DRH2937	FLUE DAMPER - 7"	180/199/225
-	DRH2938	FLUE DAMPER - 8"	270/315
-	DRH2939	FLUE DAMPER - 10"	360-500
-	WTR2040	FLOW SWITCH	ALL
-	KIT3051	OUTDOOR AIR RESET	ALL CB
-	KIT3052	ADJUSTABLE MRHL	ALL
-	KIT3053	CONTACTS ON ANY FAILURE	CB/CW315-500
-	KIT3054	LOUVER CONTACTS	CB/CW315-500
-	KIT3056	HIGH PRESSURE AUTO RESET LWCO	CB315-500/ALLCW
-	KIT3057	MRLWCO W/TEST	CB315-500 / ALL CW
-	KIT3058	PUMP DELAY	ALL CB
-	LPK3910	NAT-LP CONVERSION KIT-F1	CW090
-	LPK3911	NAT-LP CONVERSION KIT-F1	CW135-270
-	LPK3912	NAT-LP CONVERSION KIT-F9	CW090
-	LPK3913	NAT-LP CONVERSION KIT-F9	CW135-270 & CB/CW315-360
-	LPK3914	NAT-LP CONVERSION KIT-F9	CW399-500

**NOTE: CB = BOILER / CW = WATER HEATER
PLEASE HAVE MODEL NUMBER AND SERIAL NUMBER WHEN ORDERING PARTS**