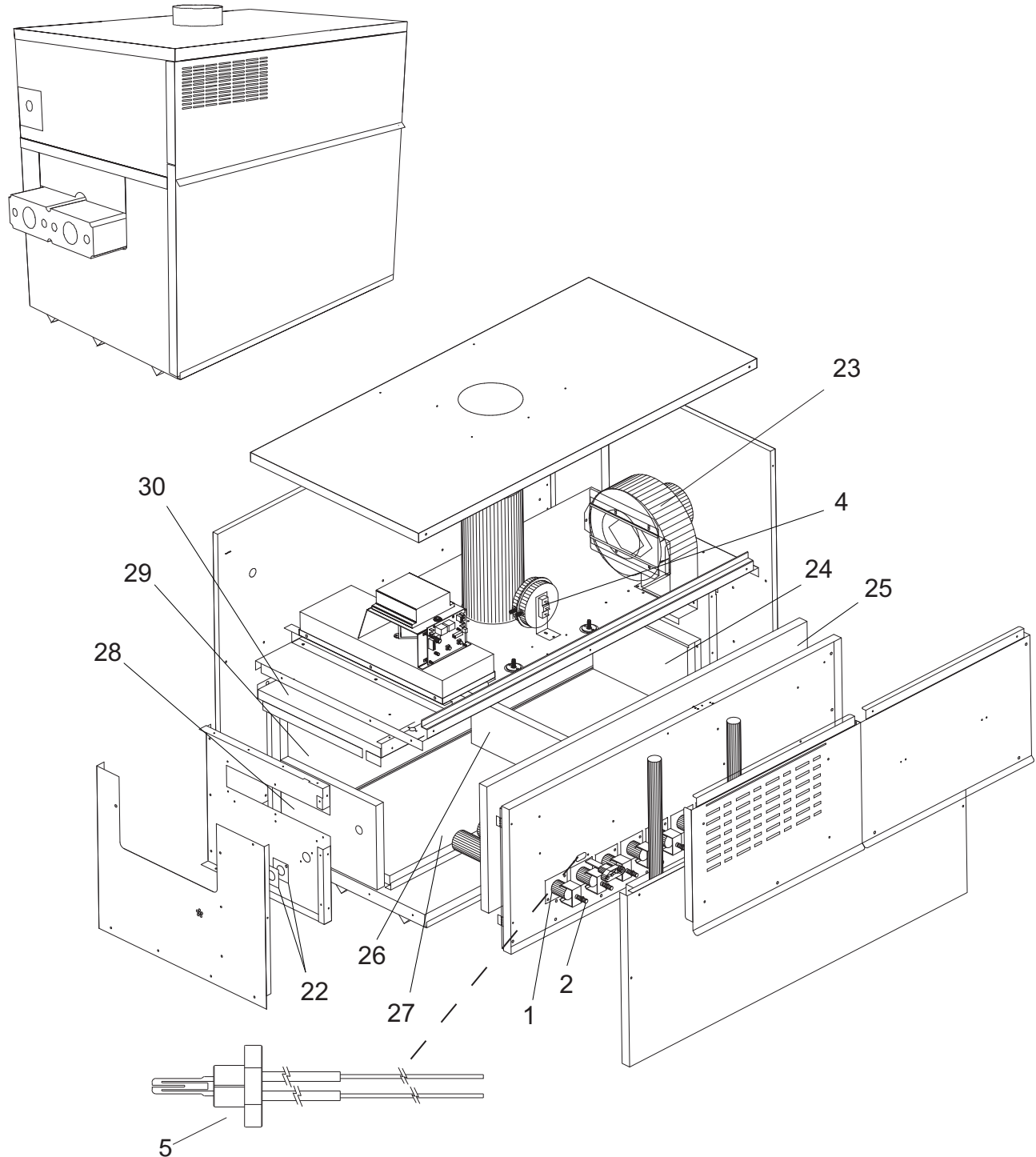




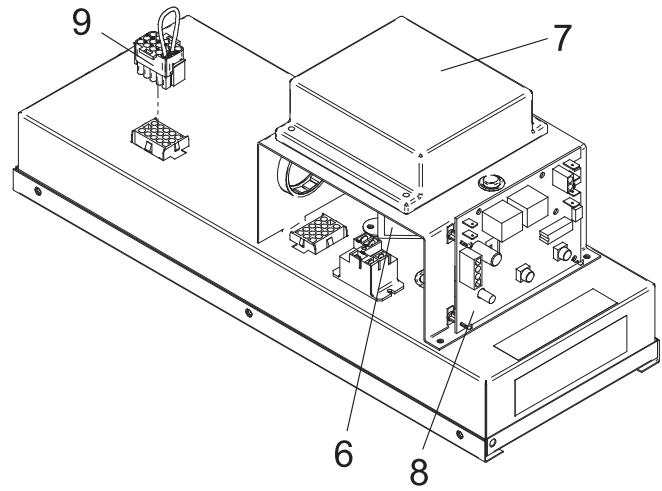
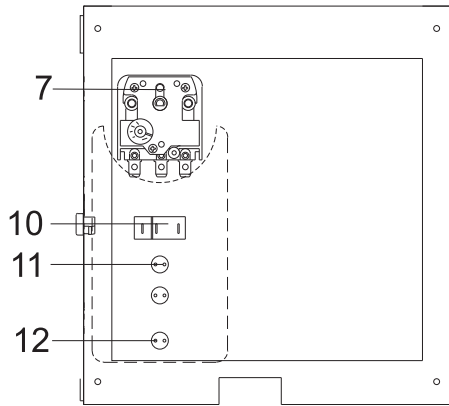
PARTS & SERVICE DEPARTMENT
 Nashville, Tennessee
 615-889-8900 • Fax: 615-547-1000
www.Lochinvar.com

Replacement Parts List

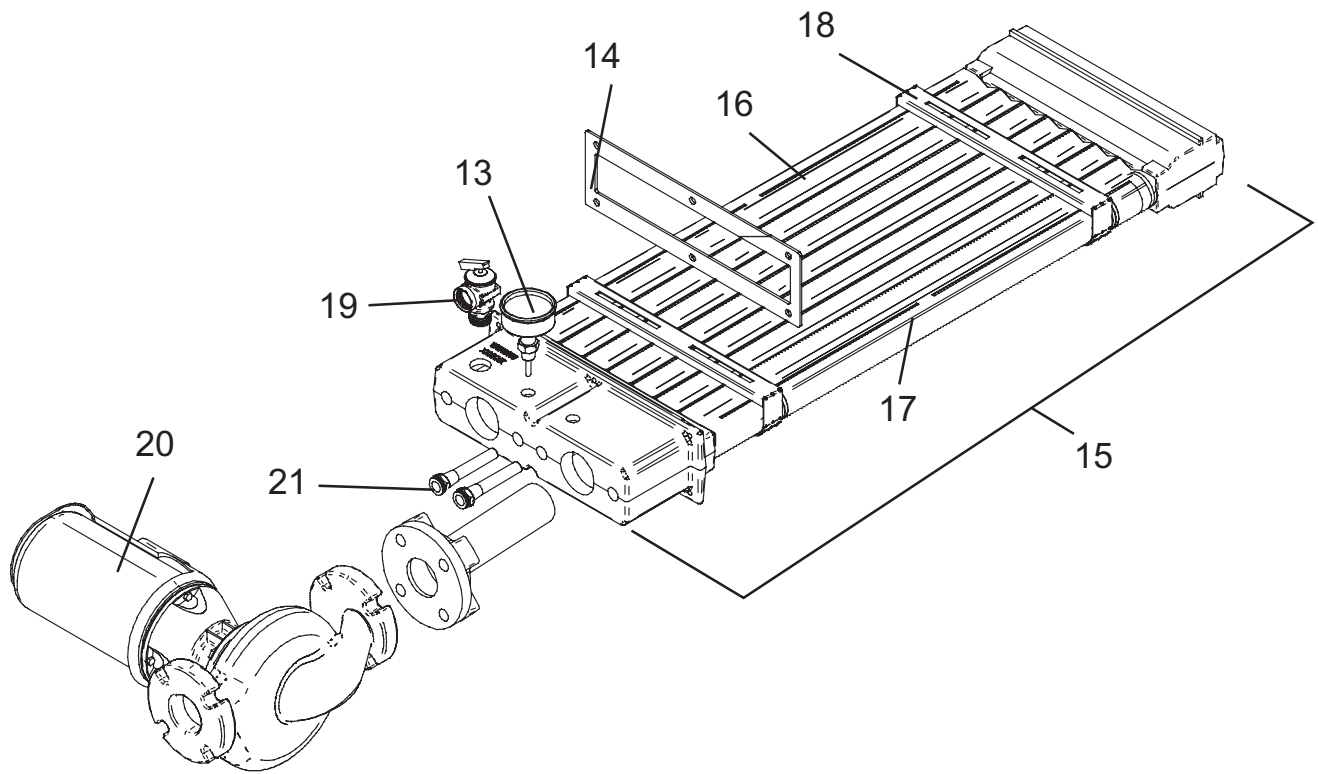
Copper-Fin®
Boilers — Water Heaters
CB—CW 495 -745
Beginning Serial #G04H00166418



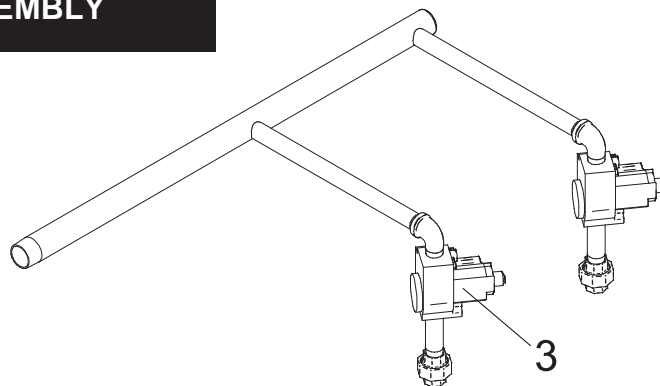
CONTROL PANEL



HEAT EXCHANGER ASSEMBLY



GAS TRAIN ASSEMBLY



ITEM NO.	PART NO.	DESCRIPTION	MODEL NO.
BURNERS			
1		Model	BNR3417
BNR3417 Main burner		495	9 ea
BNR3416 Main Burner		645	12 ea
w/ Barb & Pressure Tap		745	14 ea
			BNR3416
			1ea
			1ea
			1ea
GAS TRAIN ASSEMBLIES			
2	ORF2406	ORIFICE, NAT	ALL
2	ORF2051	ORIFICE, LPG.	ALL
3	VAL3405	GAS VALVE, NAT	ALL
3	VAL3406	GAS VALVE, LPG.	ALL
CONTROLS & GAUGES			
4	PRS30014	LOW AIR PRESSURE SWITCH	ALL
5	PLT3400	HOT SURFACE IGNITOR	ALL
6	TRF2005	TRANSFORMER 75 VA	ALL
7	RLY2402	IGNITION MODULE	ALL
8	TST2314	THERMOSTAT OPERATOR	ALL CB/CW
9	WRE2407	JUMPER PLUG	ALL
10	MSC2426	ROCKER SWITCH	ALL
11	MSC2023	TRIAL LIGHT, AMBER 120V	ALL
12	MSC2026	FLAME FAILURE LIGHT, RED 24V	ALL
13	GTP2900	TEMPERATURE AND PRESSURE GAUGE	ALL CB
13	GTP3000	TEMPERATURE GAUGE 2"	ALL CW
HEAT EXCHANGERS			
14	GKT2400	GASKET HEAT SHIELD	ALL
15	HEX3402	HEAT EXCHANGER	CB 495
15	HEX3403	HEAT EXCHANGER	CB 645
15	HEX3404	HEAT EXCHANGER	CB 745
15	HEX3012	HEAT EXCHANGER	CW 495
15	HEX3013	HEAT EXCHANGER	CW 645
15	HEX3014	HEAT EXCHANGER	CW 745
16	JKD2252	V-BAFFLE	495
16	JKD2253	V-BAFFLE	645
16	JKD2254	V-BAFFLE	745
17	JKD6450	FRAME RUNNER V-BAFFLE	495
17	JKD6451	FRAME RUNNER V-BAFFLE	645
17	JKD6452	FRAME RUNNER V-BAFFLE	745
18	MSC2969	FRAME END	ALL
19	RLV2017	RELIEF VALVE, TEMPERATURE AND PRESSURE	ALL CW
19	RLV2001	RELIEF VALVE, PRESSURE ONLY	ALL CB
MISCELLANEOUS			
20	ARM3044PAB	PUMP	ALL CW
21	TST2301	THERMOSTAT WELL	ALL
22	MSC3415	SIGHT GLASS KIT	ALL
23	FAN2714	FAN	ALL
--	MSC2016	TERMINAL STRIP 8 POLE	ALL
-	MSC2424	LOW AIR LIGHT, AMBER 28V	ALL
-	MSC2028	HEATING LIGHT, GREEN	ALL
--	RLY2052	PUMP DELAY RELAY	CW
--	WRE2498	PUMP DELAY WIRE HARNESS	CW
LOCH-HEAT TILE			
24	FIB2421	LOCH-HEAT TILE, REAR HEAD SIDE	ALL
25	FIB2407	LOCH-HEAT TILE, FRONT DOOR	495
25	FIB2408	LOCH-HEAT TILE, FRONT DOOR	645
25	FIB2409	LOCH-HEAT TILE, FRONT DOOR	745

Please have model and serial number when ordering parts.

NOTE: CB = Boiler CW = Water Heater

LOCH-HEAT TILE CONTINUED

26	FIB2806	LOCH-HEAT TILE, DIVIDER	ALL
27	FIB2142	LOCH-HEAT TILE, BOTTOM - RIGHT	745
27	FIB2143	LOCH-HEAT TILE, BOTTOM - LEFT	745
27	FIB2502	LOCH-HEAT TILE, BOTTOM LEFT & RIGHT	495
27	FIB2144	LOCH-HEAT TILE, BOTTOM - LEFT	645
27	FIB2145	LOCH-HEAT TILE, BOTTOM - RIGHT	645
28	FIB2420	LOCH-HEAT TILE, FRONT HEAD SIDE	ALL
29	FIB2402	LOCH-HEAT TILE, REAR	495
29	FIB2403	LOCH-HEAT TILE, REAR	645
29	FIB2404	LOCH-HEAT TILE, REAR	745
30	FIB2510	LOCH-HEAT TILE, TOP	495
30	FIB2511	LOCH-HEAT TILE, TOP	645
30	FIB2512	LOCH-HEAT TILE, TOP	745

Optional

--	HLC2701	AUTO RESET HIGH LIMIT	ALL
--	GAC2030	GAS COCK 1 1/4"	ALL
--	WTR2530	LOW WATER CUT-OFF, MANUAL RESET (OPTIONAL) PRIOR TO SERIAL #H08H00211239	ALL
--	WTR30000	LOW WATER CUT-OFF, MANUAL RESET (OPTIONAL) BEGINNING W/ SERIAL #H08H00211239	ALL
--	WTR2528	LOW WATER CUT-OFF, AUTO RESET (OPTIONAL) PRIOR TO SERIAL #H08H00211239	ALL
--	WTR30001	LOW WATER CUT-OFF, AUTO RESET (OPTIONAL) BEGINNING W/ SERIAL #H08H00211239	ALL
--	WTR2222	LOW WATER CUT-OFF PROBE (OPTIONAL)	ALL
--	WTR20000	LOW WATER CUT-OFF BOOT (OPTIONAL)	ALL
--	PAN3208	OPTION BOX A: LOUVER RELAY w/PUMP DELAY	ALL
--	PAN3209	OPTION BOX B: MR-LWCO, LVR w/PUMP DELAY PRIOR TO SERIAL #H08H00211239	ALL
--	PAN30013	OPTION BOX B: MR-LWCO, LVR w/PUMP DELAY BEGINNING W/ SERIAL #H08H00211239	ALL
--	PAN3210	OPTION BOX C: MR-LWCO, LVR w/PUMP DELAY, ALARM ANY FAILURE PRIOR TO SERIAL #H08H00211239	ALL
--	PAN30012	OPTION BOX C: MR-LWCO, LVR w/PUMP DELAY, ALARM ANY FAILURE BEGINNING W/ SERIAL #H08H00211239	ALL

Please have model and serial number when ordering parts. NOTE: CB = Boiler CW = Water Heater