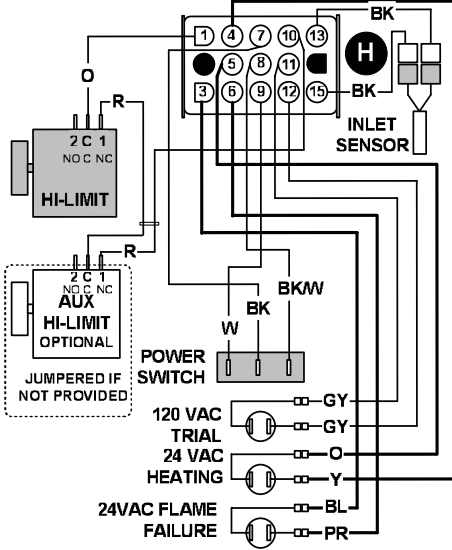
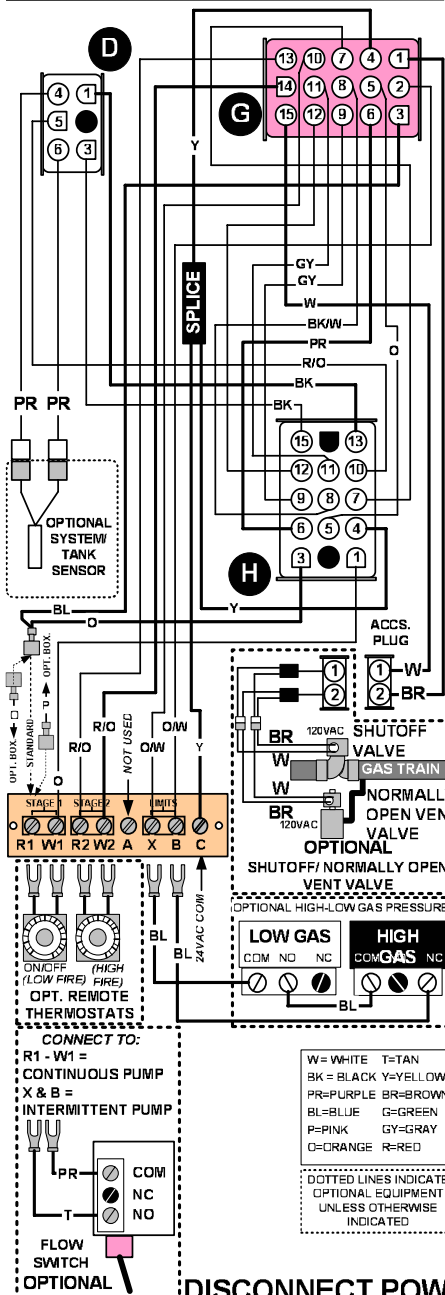


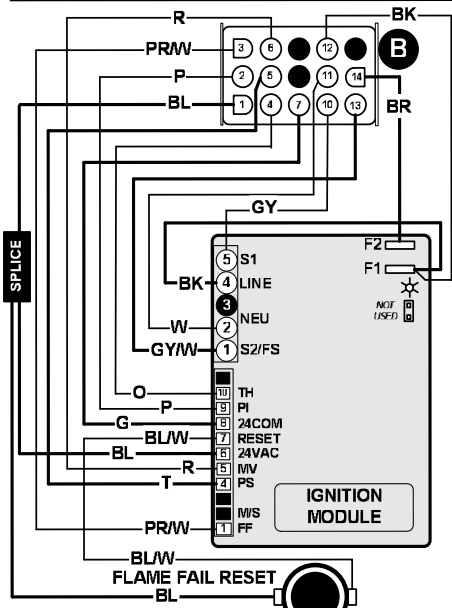
WIRING DIAGRAMS - MAIN UNIT CONNECTIONS

MODELS 495,000 - 745,000 BTU/HR

TERMINAL STRIP - SENSOR

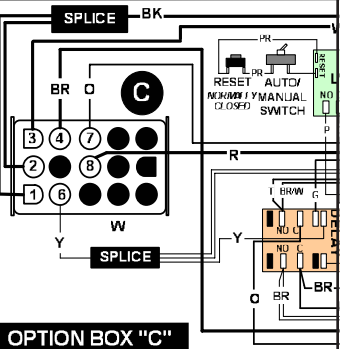
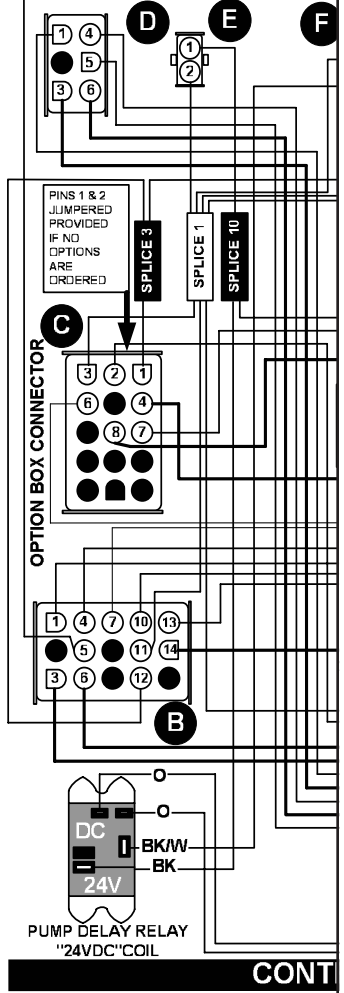


HI-LIMITS - PWR SW



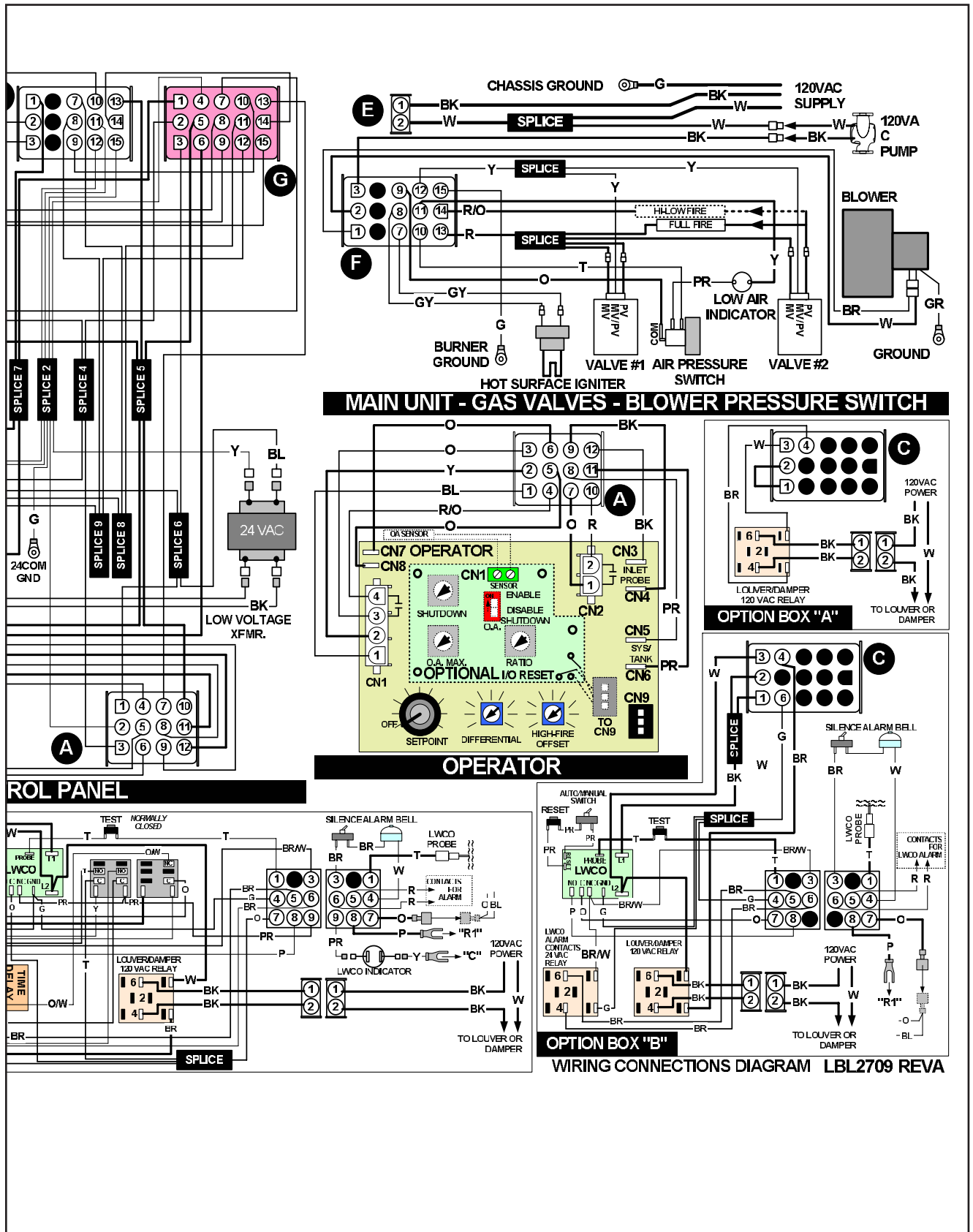
IGNITION MODULE

DISCONNECT POWER BEFORE SERVICING THE UNIT
WHEN REPLACING DAMAGED WIRING, USE EQUIVALENT TYPE AND GAUGE.



OPTION BOX "C"

WIRING DIAGRAMS - MAIN UNIT CONNECTIONS MODELS 495,000 - 745,000 BTU/HR (CONTINUED)





Lochinvar Corporation • 300 Maddox Simpson Pkwy • Lebanon, TN 37090 • 615-889-8900 / Fax: 615-547-1000

www.Lochinvar.com