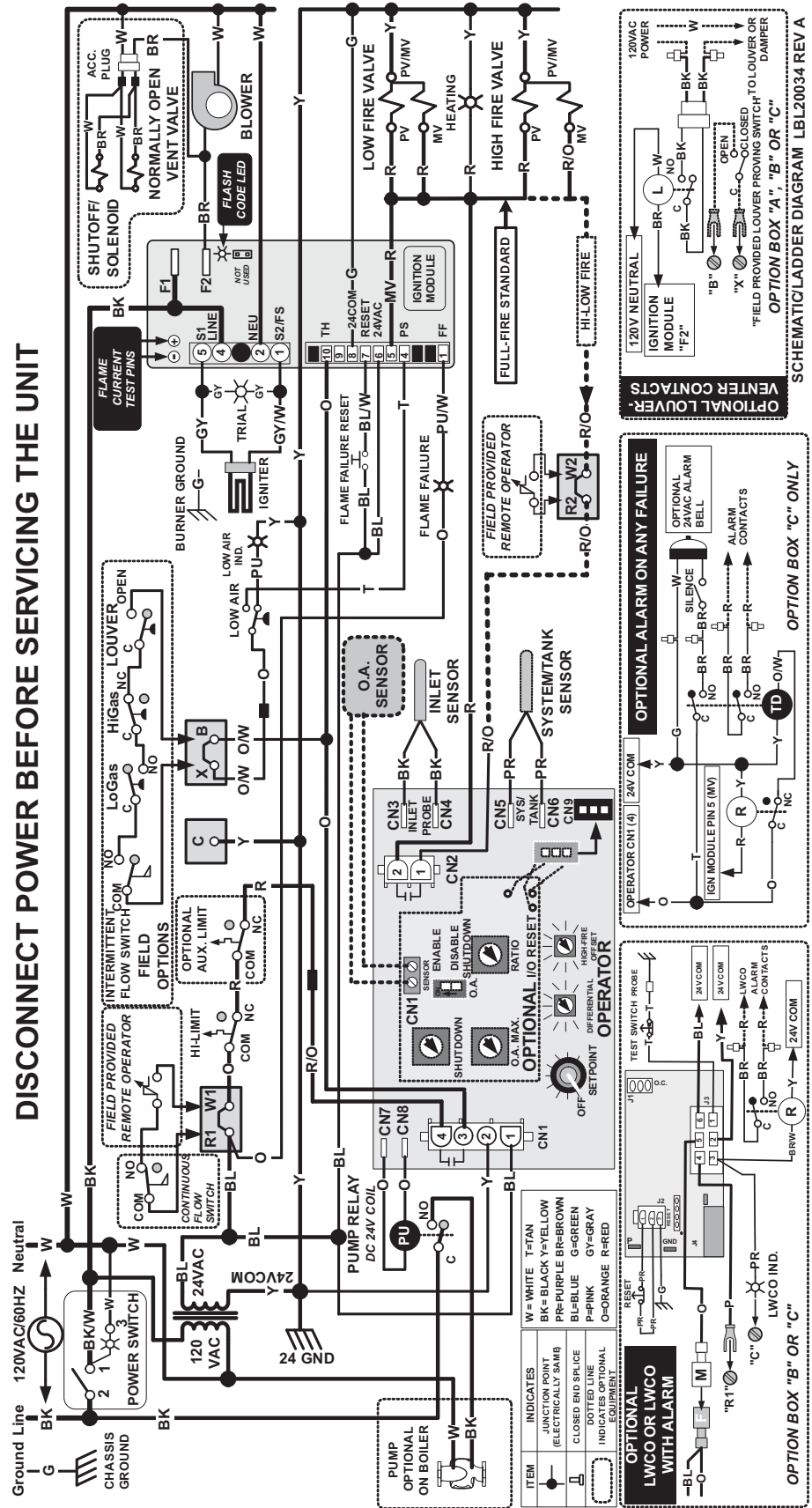


# COPPER-FIN® WATER HEATERS/BOILERS WIRING DIAGRAMS

## CB/CW 495 - 745 MODELS - SCHEMATIC DIAGRAM

**DISCONNECT POWER BEFORE SERVICING THE UNIT**

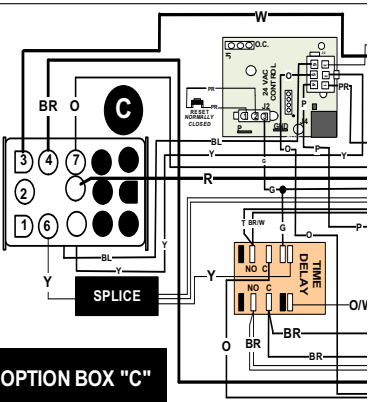
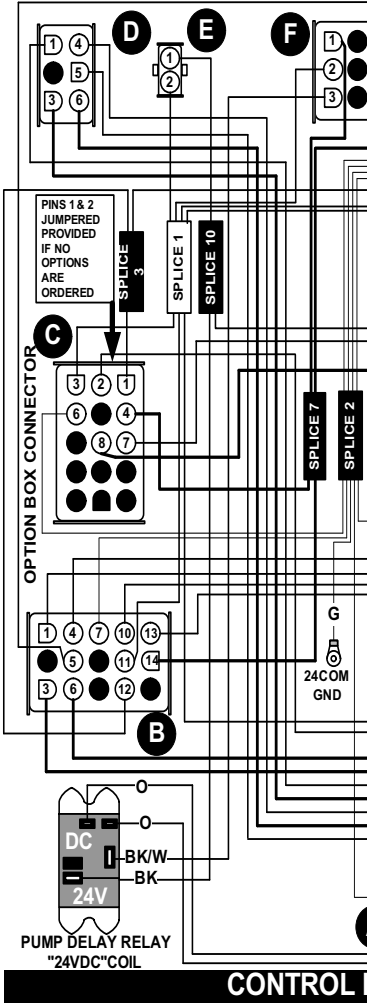
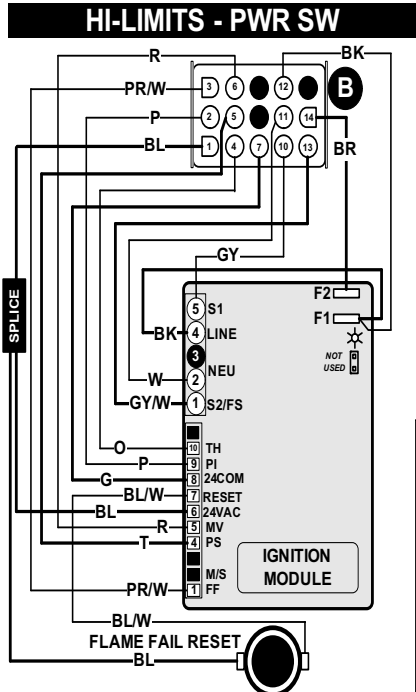
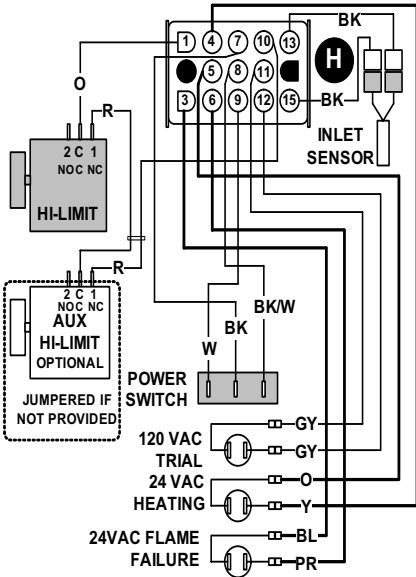
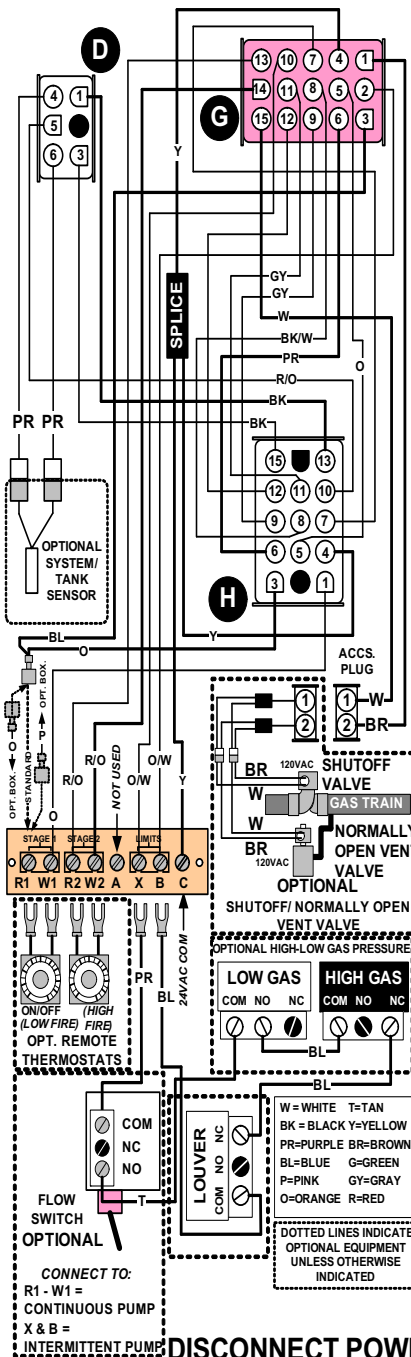


SCHEMATIC/LADDER DIAGRAM LBL20034 REV A

# MAIN UNIT CONNECTIONS - Copper-Fin® Water Heaters/Boilers

## CB/CW 495 - 745 MODELS

### TERMINAL STRIP - SENSOR



**DISCONNECT POWER BEFORE SERVICING THE UNIT**  
 WHEN REPLACING DAMAGED WIRING, USE EQUIVALENT TYPE AND GAUGE

X MATING BLOCKS    SPLICE    SPLICE

# MAIN UNIT CONNECTIONS - Copper-Fin® Water Heaters/Boilers

## CB/CW 495 - 745 MODELS

