

CADET™ HEATING BOILER

Job Name _____
 Location _____
 Engineer _____
 Wholesaler _____
 Mech. Contractor _____
 Model No. _____ Gas Type _____ Btu/hr Input _____ Btu/hr Output _____
 Notes _____

Standard Features

- 94% AFUE Efficiency
- Modulating Burner
- Direct-Spark Ignition
- Low-NOx Operation
- Field Convertible from Natural to LP Gas
- ASME Heat Exchanger
- 30 psi ASME Relief Valve
- Freeze Protection
- Vertical & Horizontal Direct-Vent

- PVC, CPVC, Polypropylene or SS Venting up to 100 feet
- Push-Button Digital Control
- Outdoor Temperature Reset (sensor included)
- Boiler Pump Control
- DHW Pump Control
- Expanded Polypropylene Jacket
- 10 Year Limited Warranty
- 2 Year Parts Warranty

Additional Information on CCN120 Combination Boiler

- 3.0 GPM Flow Rate at 70°F Temp. Rise
- 3/4" Hot and Cold Water Connections
- Domestic Hot Water Pump and Domestic Hot Water Pump Control

Options

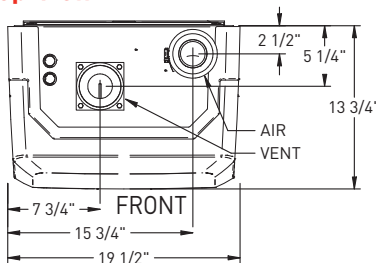
- Low Water Cut-Off
- System Sensor
- 2" Concentric Vent Kit
- 3" Concentric Vent Kit
- 2" Sidewall Vent Kit
- 3" Sidewall Vent Kit

Specifications

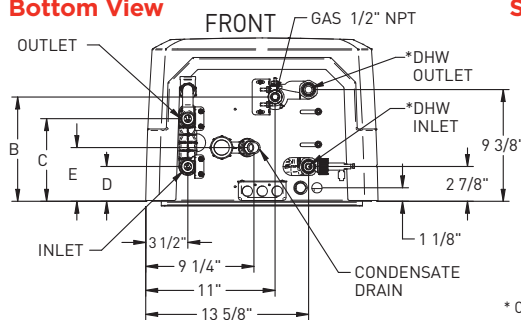
Model	INPUT (MBH)		%AFUE	Heating Capacity (MBH)	Net AHRI Rating	Height A	GAS to unit back	OUTLET to unit back	INLET to unit back	CONDENSATE to unit back	Vent	Air Intake	Water	Weight
	Max.	Min.					B	C	D	E				
CDN040	40	9	94.0	37	32	26"	4-1/4"	5-1/4"	4"	2-1/2"	2"	2"	3/4"	94
CDN070	70	20	94.0	65	57	26"	4-1/2"	5-3/4"	3"	1-1/2"	2"	2"	1"	98
CDN100	100	29	94.0	93	81	26"	6"	5-3/4"	3"	1-1/2"	2"	2"	1"	102
CDN120	120	34	94.0	112	97	26"	7-1/4"	7"	3"	1-1/2"	3"	3"	1"	108
CCN120	120	34	94.0	112	97	35"	8-3/4"	7"	3"	4-1/2"	3"	3"	1"	131

* CCN120 is Combination Hydronic Space Heating/Domestic Water Heating Boiler. Combination Unit Domestic Water Connections are 3/4"

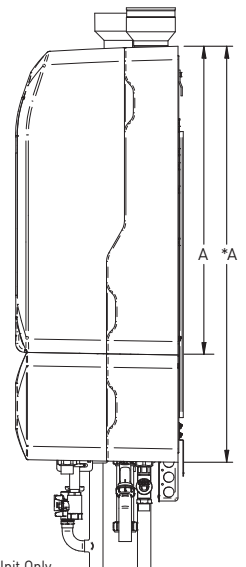
Top View



Bottom View



Side View



* CCN120 Combination Unit Only