



Replacement Parts List

PARTS & SERVICE DEPARTMENT

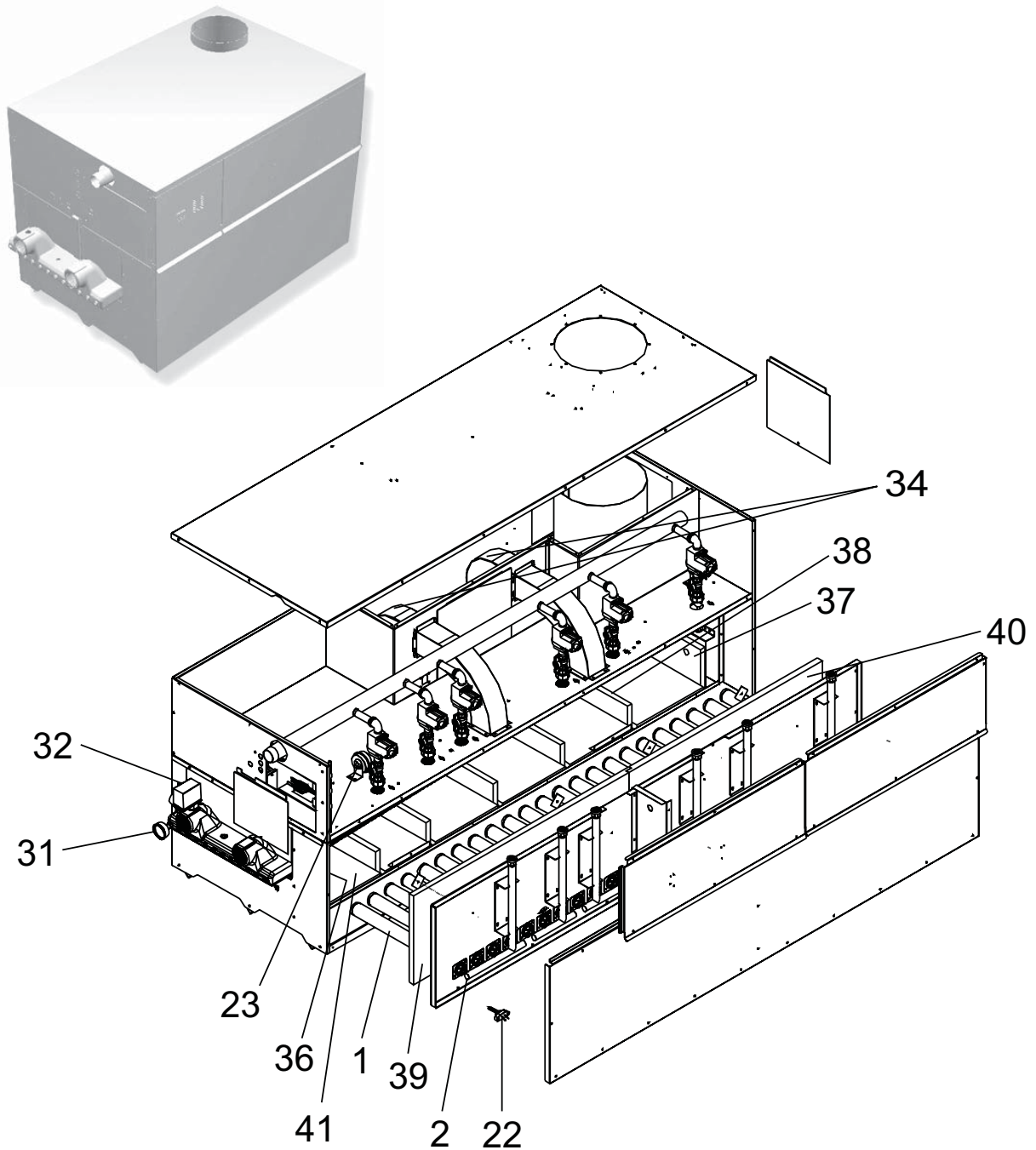
Nashville, Tennessee

615-889-8900 • Fax: 615-882-2918

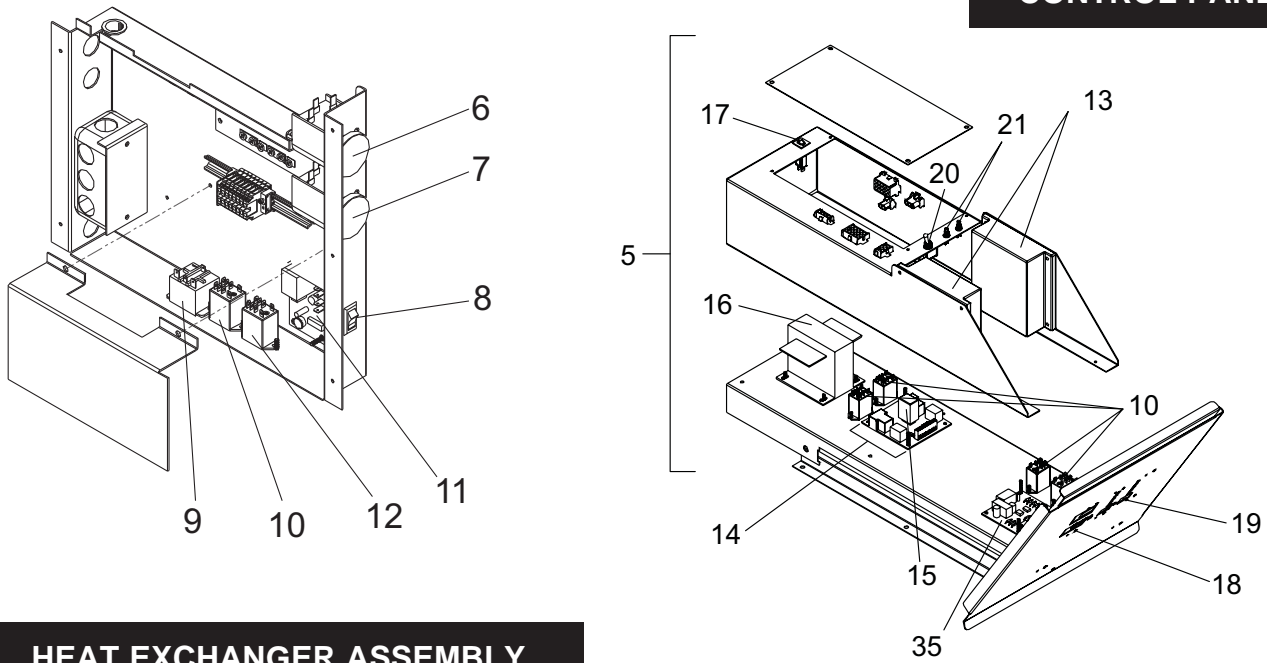
parts_team@lochinvar.com

www.Lochinvar.com

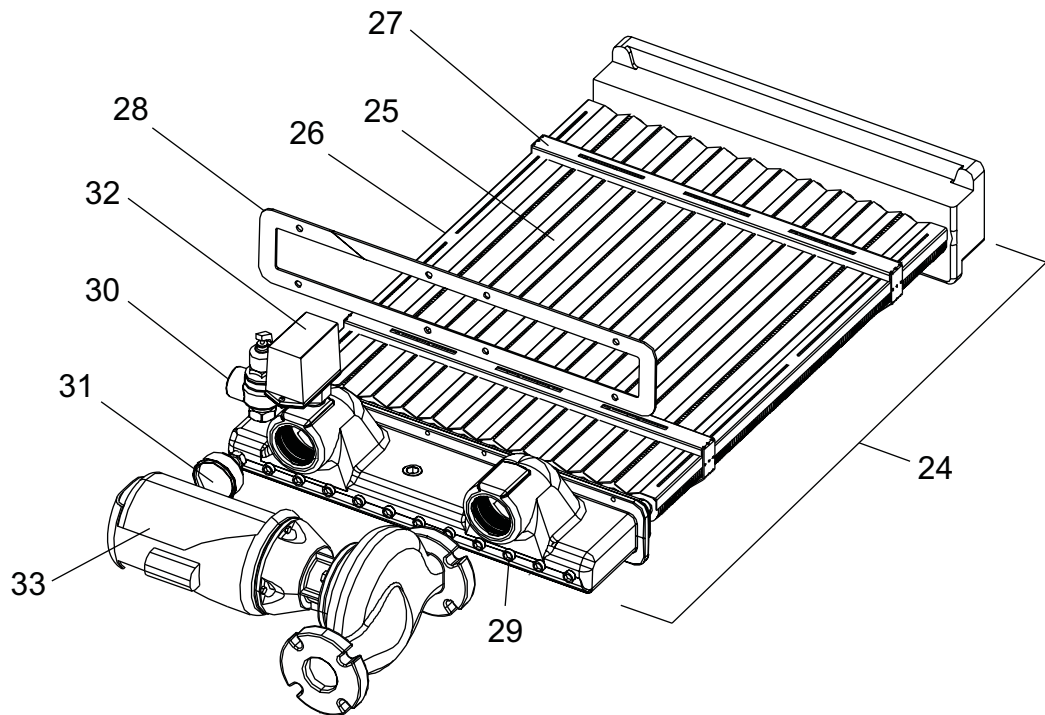
Copper-Fin II® Boilers & Water Heaters CH – CF 991-2071



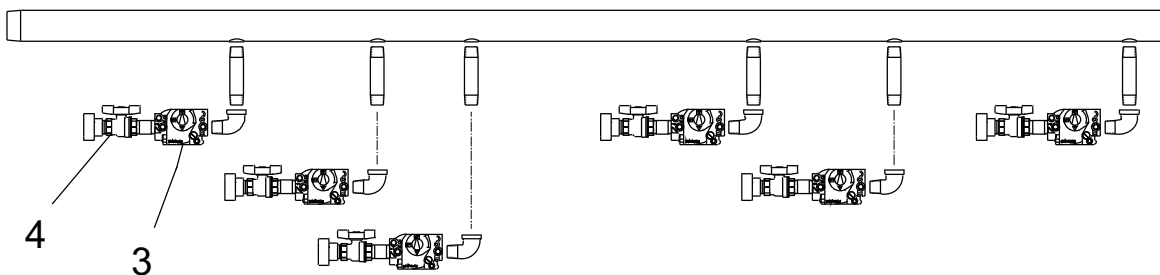
CONTROL PANEL



HEAT EXCHANGER ASSEMBLY



GAS TRAIN



| ITEM NO. | PART NO. | DESCRIPTION | | | | MODEL NO. |
|-----------------------------|--------------------------------------|---|---------|---------------------------------------|---------|------------|
| Burners | | | | | | |
| 1 | PRIOR TO SERIAL #E05H00176040 | | | BEGINNING SERIAL #E05H00176040 | | |
| | MODEL | BNR3422 | BNR3423 | MODEL | BNR3422 | BNR3430 |
| | 991 | 9 ea | 2 ea | 991 | 9 ea | 2 ea |
| | 1261 | 12 ea | 2 ea | 1261 | 12 ea | 2 ea |
| | 1441 | 14 ea | 2 ea | 1441 | 14 ea | 2 ea |
| | 1801 | 18 ea | 2 ea | 1801 | 18 ea | 2 ea |
| | 2071 | 21 ea | 2 ea | 2071 | 21 ea | 2 ea |
| GAS TRAIN ASSEMBLIES | | | | | | |
| 2 | ORF2421 | ORIFICE, NAT | | | | ALL |
| 2 | ORF2418 | ORIFICE, LP | | | | ALL |
| 3 | VAL2076 | GAS VALVE, NAT | | | | ALL |
| 3 | VAL2413 | GAS VALVE, LP | | | | ALL |
| 4 | VAL2421 | BALL VALVE | | | | ALL |
| CONTRLS & GAUGES | | | | | | |
| 5 | PAN3008 | CONTROL PANEL | | | | ALL |
| 6 | HLC2701 | HIGH LIMIT, AUTO RESET (OPTIONAL) | | | | ALL |
| 7 | HLC2702 | HIGH LIMIT, MANUAL RESET | | | | ALL |
| 8 | SWT2006 | SWITCH, ON / OFF | | | | ALL |
| 9 | RLY2708 | RELAY, 24V PUMP | | | | ALL |
| 10 | RLY2903 | RELAY, 24V | | | | ALL |
| 11 | RLY2714 | RELAY, TIME DELAY | | | | ALL |
| 12 | RLY2051 | RELAY, 120VAC LOUVER/VENTER | | | | ALL |
| 13 | RLY2402 | IGNITION MODULE | | | | ALL |
| 14 | RLY2049 | RELAY BOARD | | | | ALL |
| 15 | RLY2050 | RELAY, 115VAC | | | | ALL |
| 16 | TRF2701 | TRANSFORMER, 150VA | | | | ALL |
| 17 | MSC2447 | CIRCUIT BREAKER, 7AMP | | | | ALL |
| 18 | RLY2046 | ELECTRONIC CONTROL (PRIOR TO SERIAL #A05H00173023) | | | | 991 |
| 18 | RLY2083 | ELECTRONIC CONTROL (BEGINNING SERIAL #A05H00173023) | | | | 991 |
| 18 | RLY2046 | ELECTRONIC CONTROL | | | | 1261-2071 |
| 19 | RLY2044 | DISPLAY BOARD | | | | ALL |
| 20 | MSC2527 | SWITCH, TOGGLE (OPTIONAL) | | | | ALL |
| 21 | SWT2004 | BUTTON, TEST / RESET | | | | ALL |
| 22 | PLT3400 | HOT SURFACE IGNITOR | | | | ALL |
| 23 | PRS30012 | PRESSURE SWITCH, NAT (PRIOR TO SERIAL #E05H00176040) | | | | 991-1261 |
| 23 | PRS30030 | PRESSURE SWITCH, NAT (BEGINNING SERIAL #E05H00176040) | | | | 991-1261 |
| 23 | PRS30015 | PRESSURE SWITCH, NAT (PRIOR TO SERIAL #E05H00176040) | | | | 1441-2071 |
| 23 | PRS30029 | PRESSURE SWITCH, NAT (BEGINNING SERIAL #E05H00176040) | | | | 1441-2071 |
| 23 | PRS30008 | PRESSURE SWITCH, LP (PRIOR TO SERIAL #E05H00176040) | | | | 991-2071 |
| 23 | PRS30029 | PRESSURE SWITCH, LP (BEGINNING SERIAL #E05H00176040) | | | | 991-2071 |
| HEAT EXCHANGERS | | | | | | |
| 24 | HEX3000 | HEAT EXCHANGER, HLW | | | | CF991 |
| 24 | HEX3001 | HEAT EXCHANGER, HLW | | | | CF1261 |
| 24 | HEX3002 | HEAT EXCHANGER, HLW | | | | CF1441 |
| 24 | HEX3003 | HEAT EXCHANGER, HLW | | | | CF1801 |
| 24 | HEX3004 | HEAT EXCHANGER, HLW | | | | CF2071 |
| 24 | HEX3420 | HEAT EXCHANGER, H | | | | CH991 |
| 24 | HEX3421 | HEAT EXCHANGER, H | | | | CH1261 |
| 24 | HEX3422 | HEAT EXCHANGER, H | | | | CH1441 |
| 24 | HEX3423 | HEAT EXCHANGER, H | | | | CH1801 |
| 24 | HEX3424 | HEAT EXCHANGER, H | | | | CH2071 |
| 25 | JKE2004 | V-BAFFLE (9 REQ) | | | | 991 |
| 25 | JKE2005 | V-BAFFLE (9 REQ) | | | | 1261 |
| 25 | JKE2006 | V-BAFFLE (9 REQ) | | | | 1441 |
| 25 | JKE2007 | V-BAFFLE (9 REQ) | | | | 1801 |
| 25 | JKE2008 | V-BAFFLE (9 REQ) | | | | 2071 |
| 26 | JKE6159 | FRAME RUNNER (2 REQ) | | | | 991 |
| 26 | JKE6160 | FRAME RUNNER (2 REQ) | | | | 1261 |
| 26 | JKE6161 | FRAME RUNNER (2 REQ) | | | | 1441 |
| 26 | JKE6162 | FRAME RUNNER (2 REQ) | | | | 1801 |
| 26 | JKE6163 | FRAME RUNNER (2 REQ) | | | | 2071 |
| 27 | JKD6187 | FRAME END | | | | ALL |
| 28 | GKT2418 | GASKET, HEAT SHIELD | | | | ALL |
| 29 | TST2300 | BULBWELL | | | | ALL |
| 30 | RLV2001 | RELIEF VALVE, PRESSURE ONLY | | | | CH991-2071 |
| 30 | RLV2017 | RELIEF VALVE, TEMPERATURE & PRESSURE | | | | CF991-2071 |
| 31 | GTP2900 | GAUGE, TEMPERATURE & PRESSURE | | | | CH991-2071 |
| 31 | GTP3000 | GAUGE, TEMPERATURE | | | | CF991-2071 |
| 32 | WTR2041 | FLOW SWITCH, OUTDOOR | | | | ALL |
| 32 | WTR2040 | FLOW SWITCH, INDOOR | | | | ALL |

| PUMPS | | | |
|--|------------|---|------------|
| 33 | ARM3024PAB | PUMP | CF991-2071 |
| MISCELLANEOUS | | | |
| 34 | FAN2009 | FAN ASSEMBLY | 991-1261 |
| 34 | FAN2010 | FAN ASSEMBLY | 1441-2071 |
| - | JKE6411 | AIR SHUTTER | ALL |
| 35 | WTR2530 | LOW WATER CUT-OFF, MANUAL RESET (OPTIONAL) PRIOR TO SERIAL #H08H00211349 | ALL |
| 35 | WTR30000 | LOW WATER CUT-OFF, MANUAL RESET (OPTIONAL) BEGINNING SERIAL #H08H00211349 | ALL |
| 35 | WTR2528 | LOW WATER CUT-OFF, AUTO RESET (OPTIONAL) PRIOR TO SERIAL #H08H00211349 | ALL |
| 35 | WTR30001 | LOW WATER CUT-OFF, AUTO RESET (OPTIONAL) BEGINNING SERIAL #H08H00211349 | ALL |
| - | WTR2222 | LOW WATER CUT-OFF PROBE (OPTIONAL) | ALL |
| - | WTR20000 | LOW WATER CUT-OFF BOOT (OPTIONAL) | ALL |
| - | MSC3415 | SIGHT GLASS AND GASKET KIT | ALL |
| - | GKT3408 | GASKET, STRIP 45" | ALL |
| - | PRS2701 | PRESSURE TAP, ALUMINUM | ALL |
| - | TUB2002 | TUBING, AIR PRESSURE SWITCH (PRIOR TO SERIAL #E05H00176040) | ALL |
| - | TUB2004 | TUBING, AIR PRESSURE SWITCH (BEGINNING SERIAL #E05H00176040) | ALL |
| - | MSC2155 | TEE, AIR PRESSURE TUBE | ALL |
| - | MSC2156 | TEE FITTING, AIR PRESSURE TUBE CAP | ALL |
| - | TST2313 | TEMPERATURE SENSOR | ALL |
| - | MSC2461 | TUBING, SILICONE, 1/8" CLEAR | ALL |
| - | MSC2406 | TUBING, EPDM, 1/8" BLACK | ALL |
| - | MSC7119 | BULB WELL CLIP | ALL |
| - | GKT2023 | TRANSITION GASKET | ALL |
| - | FIL2000 | FILTER, 16 X 16 X 1 | ALL |
| LOCH-HEAT TILE | | | |
| 36 | FIB2204 | HEAD SIDE PANEL, FRONT | ALL |
| 37 | FIB2205 | HEAD SIDE PANEL, REAR | ALL |
| 38 | FIB2228 | DIVIDER PANEL | ALL |
| 39 | FIB2202 | INSULATION PAD, FRONT | 991 |
| 39 | FIB2210 | INSULATION PAD, FRONT | 1261 |
| 39 | FIB2214 | INSULATION PAD, FRONT LEFT | 1441 |
| 39 | FIB2220 | INSULATION PAD, FRONT LEFT | 1801 |
| 39 | FIB2224 | INSULATION PAD, FRONT LEFT | 2071 |
| 40 | FIB2215 | INSULATION PAD, FRONT RIGHT | 1441 |
| 40 | FIB2221 | INSULATION PAD, FRONT RIGHT | 1801 |
| 40 | FIB2225 | INSULATION PAD, FRONT RIGHT | 2071 |
| - | FIB2472 | BACK PANEL | 991 |
| - | FIB2456 | BACK PANEL | 1261 |
| - | FIB2457 | BACK PANEL, LEFT | 1441 |
| - | FIB2458 | BACK PANEL, LEFT | 1801 |
| - | FIB2459 | BACK PANEL, LEFT | 2071 |
| - | FIB2455 | BACK PANEL, RIGHT | 1441-2071 |
| - | FIB2258 | INSULATION PAD, BACK | 991-1441 |
| - | FIB2260 | INSULATION PAD, BACK | 1801-2071 |
| - | FIB2257 | INSULATION PAD, TOP | 991-1441 |
| - | FIB2259 | INSULATION PAD, TOP | 1801-2071 |
| - | FIB2256 | INSULATION PAD, RIGHT SIDE | ALL |
| LOCH-HEAT TILE BOTTOM PANELS | | | |
| 41 | FIB2206 | BOTTOM PANEL POSITION 1* | 991 |
| 41 | FIB2207 | BOTTOM PANEL POSITION 2* | 991 |
| 41 | FIB2208 | BOTTOM PANEL POSITION 3* | 991 |
| 41 | FIB2211 | BOTTOM PANEL POSITION 1* | 1261 |
| 41 | FIB2212 | BOTTOM PANEL POSITION 2 & 3* | 1261 |
| 41 | FIB2207 | BOTTOM PANEL POSITION 4* | 1261 |
| 41 | FIB2218 | BOTTOM PANEL POSITION 1* | 1441 |
| 41 | FIB2207 | BOTTOM PANEL POSITION 2 & 3* | 1441 |
| 41 | FIB2219 | BOTTOM PANEL POSITION 4* | 1441 |
| 41 | FIB2222 | BOTTOM PANEL POSITION 1* | 1801 |
| 41 | FIB2207 | BOTTOM PANEL POSITION 2, 3, & 4* | 1801 |
| 41 | FIB2223 | BOTTOM PANEL POSITION 5* | 1801 |
| 41 | FIB2226 | BOTTOM PANEL POSITION 1* | 2071 |
| 41 | FIB2212 | BOTTOM PANEL POSITION 2* | 2071 |
| 41 | FIB2207 | BOTTOM PANEL POSITION 3, 4, & 5* | 2071 |
| 41 | FIB2227 | BOTTOM PANEL POSITION 6* | 2071 |
| *Denotes placement order of combustion chamber bottom tile from left to right (front to rear heat exchanger head) PLEASE HAVE MODEL AND SERIAL NUMBER WHEN ORDERING PARTS | | | |