



PARTS AND SERVICE DEPARTMENT
 Nashville, Tennessee
 615-889-8900 • Fax: 615-547-1000
 www.Lochinvar.com

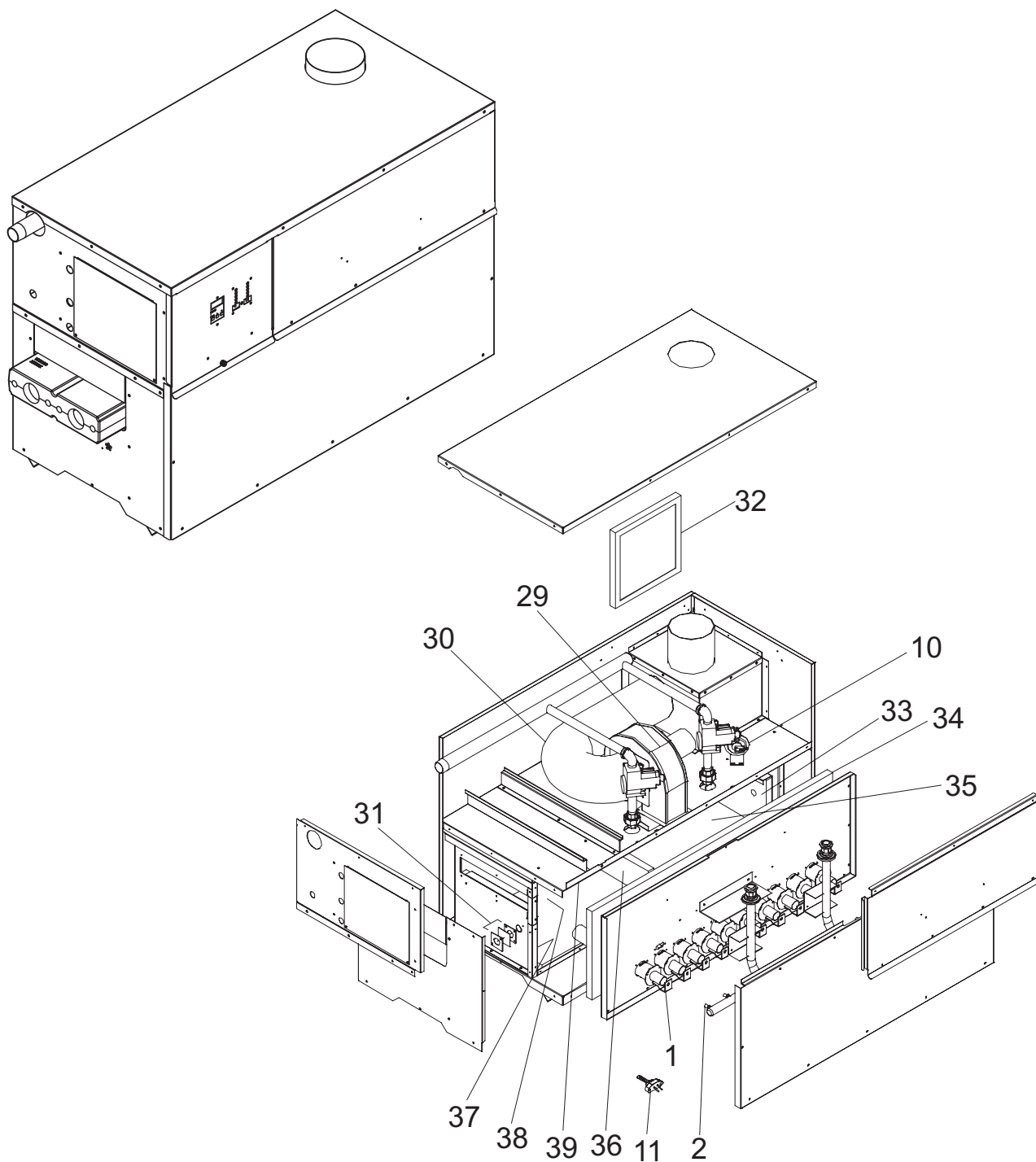
Replacement Parts List

Copper-Fin II®

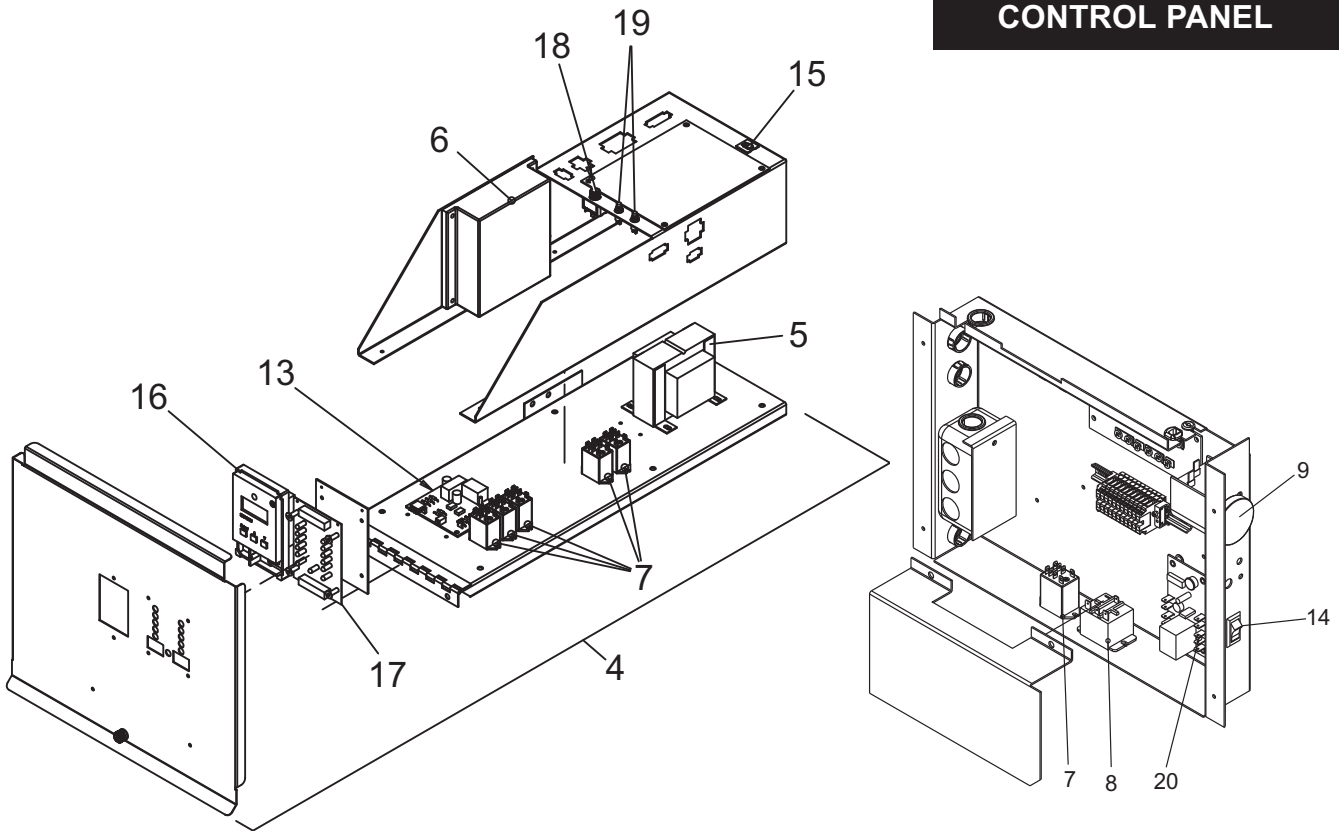
Boilers/Water Heaters

CH/CF 401-751

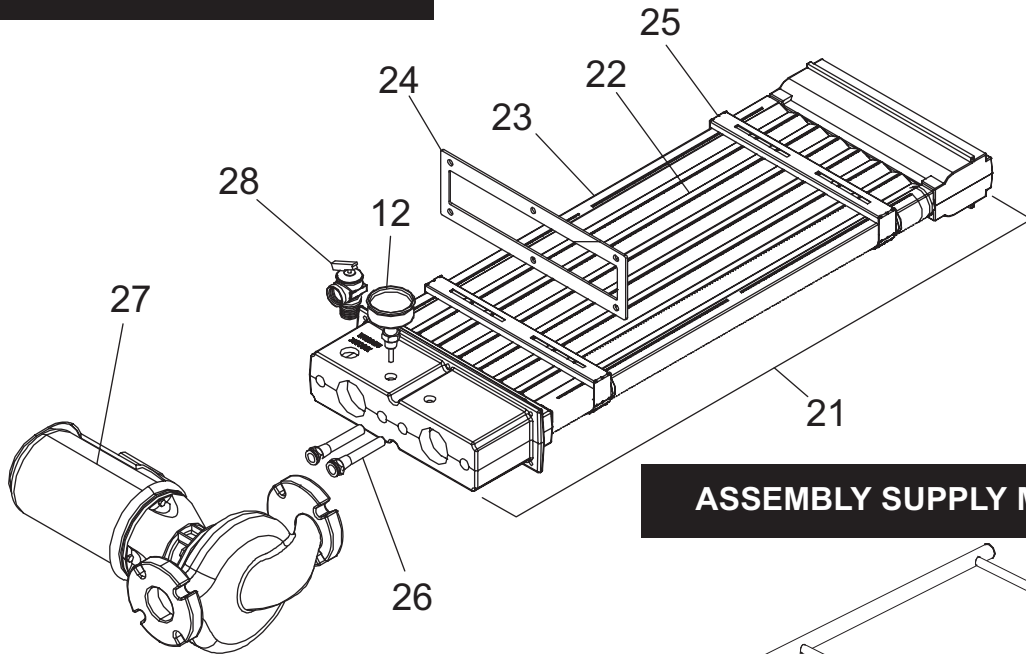
After serial # L03H00160759



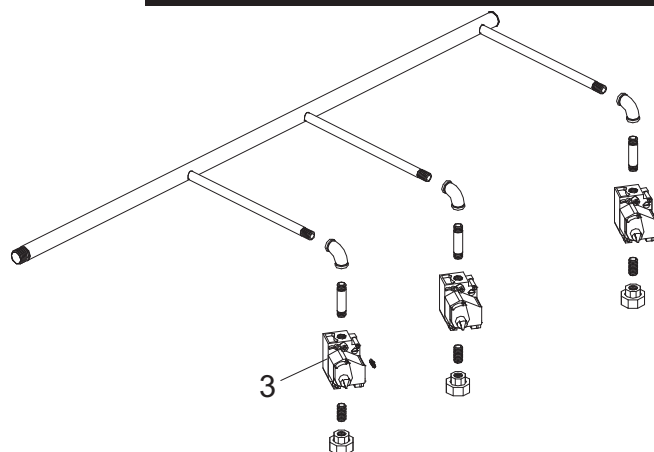
CONTROL PANEL



HEAT EXCHANGER ASSEMBLY



ASSEMBLY SUPPLY MANIFOLD



ITEM NO.	PART NO.	DESCRIPTION	MODEL NO.															
BURNERS																		
1	BNR3417 IS MAIN BURNER. BNR3416 IS MAIN BURNER W//BARB PRESSURE TAP.																	
		<table border="1"> <thead> <tr> <th>Model</th> <th>BNR3416</th> <th>BNR3417</th> </tr> </thead> <tbody> <tr> <td>401</td> <td>1 ea</td> <td>7 ea</td> </tr> <tr> <td>501</td> <td>1 ea</td> <td>9 ea</td> </tr> <tr> <td>651</td> <td>1 ea</td> <td>12 ea</td> </tr> <tr> <td>751</td> <td>1 ea</td> <td>14 ea</td> </tr> </tbody> </table>	Model	BNR3416	BNR3417	401	1 ea	7 ea	501	1 ea	9 ea	651	1 ea	12 ea	751	1 ea	14 ea	
Model	BNR3416	BNR3417																
401	1 ea	7 ea																
501	1 ea	9 ea																
651	1 ea	12 ea																
751	1 ea	14 ea																
GAS TRAIN ASSEMBLIES																		
2	ORF2050	NATURAL GAS ORIFICE	ALL															
2	ORF2051	LP GAS ORIFICE	ALL															
3	VAL2412	NATURAL GAS VALVE ASSEMBLY	ALL															
3	VAL2413	LP GAS VALVE ASSEMBLY	ALL															
CONTROLS & GAUGES																		
4	PAN3014	COMPLETE CONTROL PANEL	401-501															
4	PAN3016	COMPLETE CONTROL PANEL	651-751															
5	TRF2010	120V/24V TRANSFORMER 100 VA	ALL															
6	RLY2402	IGNITION MODULE	ALL															
7	RLY2903	24V RELAY	ALL															
8	RLY2708	RELAY 24VAC	ALL															
9	HLC2702	HIGH LIMIT-MR	ALL															
10	PRS2421	AIR PRESSURE SWITCH BEFORE SERIAL # A04	ALL															
10	PRS2424	AIR PRESSURE SWITCH BEGINNING SERIAL # A04	ALL															
11	PLT3400	HOT SURFACE IGNITOR	ALL															
12	GTP2900	TEMPERATURE AND PRESSURE GAUGE	ALL CH															
13	WTR2530	LOW WATER CUTOFF, MANUAL RESET (OPTIONAL) PRIOR TO H08H00211366	ALL															
13	WTR30000	LOW WATER CUTOFF, MANUAL RESET (OPTIONAL) BEGINNING H08H00211366	ALL															
13	WTR2528	LOW WATER CUTOFF, AUTO RESET (OPTIONAL) PRIOR TO H08H00211366	ALL															
13	WTR30001	LOW WATER CUTOFF, AUTO RESET (OPTIONAL) BEGINNING H08H00211366	ALL															
-	WTR2532	LOW WATER CUTOFF PROBE (OPTIONAL) PRIOR TO H08H00211366	ALL															
-	WTR2222	LOW WATER CUTOFF PROBE (OPTIONAL) BEGINNING H08H00211366	ALL															
-	WTR2533	LOW WATER CUTOFF BOOT (OPTIONAL) PRIOR TO H08H00211366	ALL															
-	WTR20000	LOW WATER CUTOFF BOOT (OPTIONAL) BEGINNING H08H00211366	ALL															
14	SWT2006	SWITCH, ON/OFF	ALL															
15	MSC2465	CIRCUIT BREAKER 5 AMP	ALL															
16	RLY2082	ELECTRONIC TEMPERATURE CONTROL BEGINNING SERIAL # A05H00173023	401-501															
16	RLY2083	ELECTRONIC TEMPERATURE CONTROL BEGINNING SERIAL # A05H00173023	651-751															
16	RLY2046	ELECTRONIC TEMPERATURE CONTROL BEFORE SERIAL # A05H00173023	ALL															
17	RLY2044	DISPLAY BOARD	ALL															
-	TST2313	TEMPERATURE SENSOR, INLET/OUTLET - NOT SHOWN	ALL															
18	MSC2507	SWITCH -PILOT	OPT															
19	MSC2702	MOMENT SWITCH	ALL															
20	RLY2714	ADJUSTABLE RELAY	OPT															
HEAT EXCHANGER																		
21	HEX3011	HEAT EXCHANGER (CF AFTER SERIAL F00)	CF401															
21	HEX3012	HEAT EXCHANGER (CF AFTER SERIAL F00)	CF501															
21	HEX3013	HEAT EXCHANGER (CF AFTER SERIAL F00)	CF651															
21	HEX3014	HEAT EXCHANGER (CF AFTER SERIAL F00)	CF751															
21	HEX3016	HEAT EXCHANGER CUPRO NICKEL (CF AFTER SERIAL F00)	CF401															
21	HEX3017	HEAT EXCHANGER CUPRO NICKEL (CF AFTER SERIAL F00)	CF501															
21	HEX3018	HEAT EXCHANGER CUPRO NICKEL (CF AFTER SERIAL F00)	CF651															
21	HEX3019	HEAT EXCHANGER CUPRO NICKEL (CF AFTER SERIAL F00)	CF751															
21	HEX3401	HEAT EXCHANGER (CF BEFORE SERIAL F00 & ALL CH)	CF/CH401															
21	HEX3402	HEAT EXCHANGER (CF BEFORE SERIAL F00 & ALL CH)	CF/CH501															
21	HEX3403	HEAT EXCHANGER (CF BEFORE SERIAL F00 & ALL CH)	CF/CH651															
21	HEX3404	HEAT EXCHANGER (CF BEFORE SERIAL F00 & ALL CH)	CF/CH751															
21	HEX3441	HEAT EXCHANGER CUPRO NICKEL (CF BEFORE SERIAL F00 & ALL CH)	CF/CH401															
21	HEX3442	HEAT EXCHANGER CUPRO NICKEL (CF BEFORE SERIAL F00 & ALL CH)	CF/CH501															
21	HEX3443	HEAT EXCHANGER CUPRO NICKEL (CF BEFORE SERIAL F00 & ALL CH)	CF/CH651															
21	HEX3444	HEAT EXCHANGER CUPRO NICKEL (CF BEFORE SERIAL F00 & ALL CH)	CF/CH751															

**NOTE: CH = BOILER, CF = WATER HEATER
PLEASE HAVE MODEL NUMBER AND SERIAL NUMBER WHEN ORDERING PARTS.**

ITEM NO.	PART NO.	DESCRIPTION	MODEL NO.
HEAT EXCHANGER (Continued)			
22	JKD2251	V-BAFFLE (5 REQUIRED)	401
22	JKD2252	V-BAFFLE (5 REQUIRED)	501
22	JKD2253	V-BAFFLE (5 REQUIRED)	651
22	JKD2254	V-BAFFLE (5 REQUIRED)	751
23	JKD6449	V-BAFFLE FRAME RUNNER (2 REQUIRED)	401
23	JKD6450	V-BAFFLE FRAME RUNNER (2 REQUIRED)	501
23	JKD6451	V-BAFFLE FRAME RUNNER (2 REQUIRED)	651
23	JKD6452	V-BAFFLE FRAME RUNNER (2 REQUIRED)	751
24	GKT2400	HEATSHIELD GASKET	ALL
25	JKD6186	V-BAFFLE FRAME END	ALL
MISCELLANEOUS			
26	TST2305	THERMOSTAT BULB WELL	ALL
27	ARM3044PAB	PUMP COMPLETE	CF
28	RLV2006	TEMPERATURE & PRESSURE RELIEF VALVE	401 ONLY
28	RLV2007	TEMPERATURE & PRESSURE RELIEF VALVE	501-751
28	RLV2001	PRESSURE ONLY RELIEF VALVE	ALL CH
29	FAN2010	FAN	ALL
30	MSC2078	TUBE, AIR INLET	ALL
-	MSC2079	BAND CLAMP (2) - NOT SHOWN	ALL
31	MSC3415	SIGHT GLASS KIT	ALL
32	FIL2075	FILTER	ALL
LOCH-HEAT® TILE			
33	FIB2130	REAR HEAD SIDE	ALL
34	FIB2131	FRONT PANEL	401
34	FIB2132	FRONT PANEL	501
34	FIB2133	FRONT PANEL	651
34	FIB2134	FRONT PANEL	751
35	FIB2501	BOTTOM RIGHT PANEL	401
35	FIB2502	BOTTOM RIGHT PANEL	501
35	FIB2503	BOTTOM RIGHT PANEL	651
35	FIB2504	BOTTOM RIGHT PANEL	751
36	FIB2806	BOTTOM DIVIDER PANEL	ALL
37	FIB2420	FRONT HEAD SIDE	ALL
-	FIB2505	BOTTOM CENTER PANEL - NOT SHOWN	651/751
38	FIB2401	BACK PANEL	401
38	FIB2402	BACK PANEL	501
38	FIB2403	BACK PANEL	651
38	FIB2404	BACK PANEL	751
39	FIB2500	BOTTOM LEFT PANEL	401
39	FIB2502	BOTTOM LEFT PANEL	501
39	FIB2503	BOTTOM LEFT PANEL	651
39	FIB2504	BOTTOM LEFT PANEL	751
-	FIB2479	TOP PANEL - NOT SHOWN	401
-	FIB2480	TOP PANEL - NOT SHOWN	501
-	FIB2481	TOP PANEL - NOT SHOWN	651
-	FIB2482	TOP PANEL - NOT SHOWN	751
-	FIB2261	INSULATION PAD - BACK - NOT SHOWN	401/501
-	FIB2262	INSULATION PAD - BACK - NOT SHOWN	651/751
-	FIB2263	INSULATION PAD - BACK - NOT SHOWN	ALL
NOTE: CH = BOILER, CF = WATER HEATER PLEASE HAVE MODEL NUMBER AND SERIAL NUMBER WHEN ORDERING PARTS.			