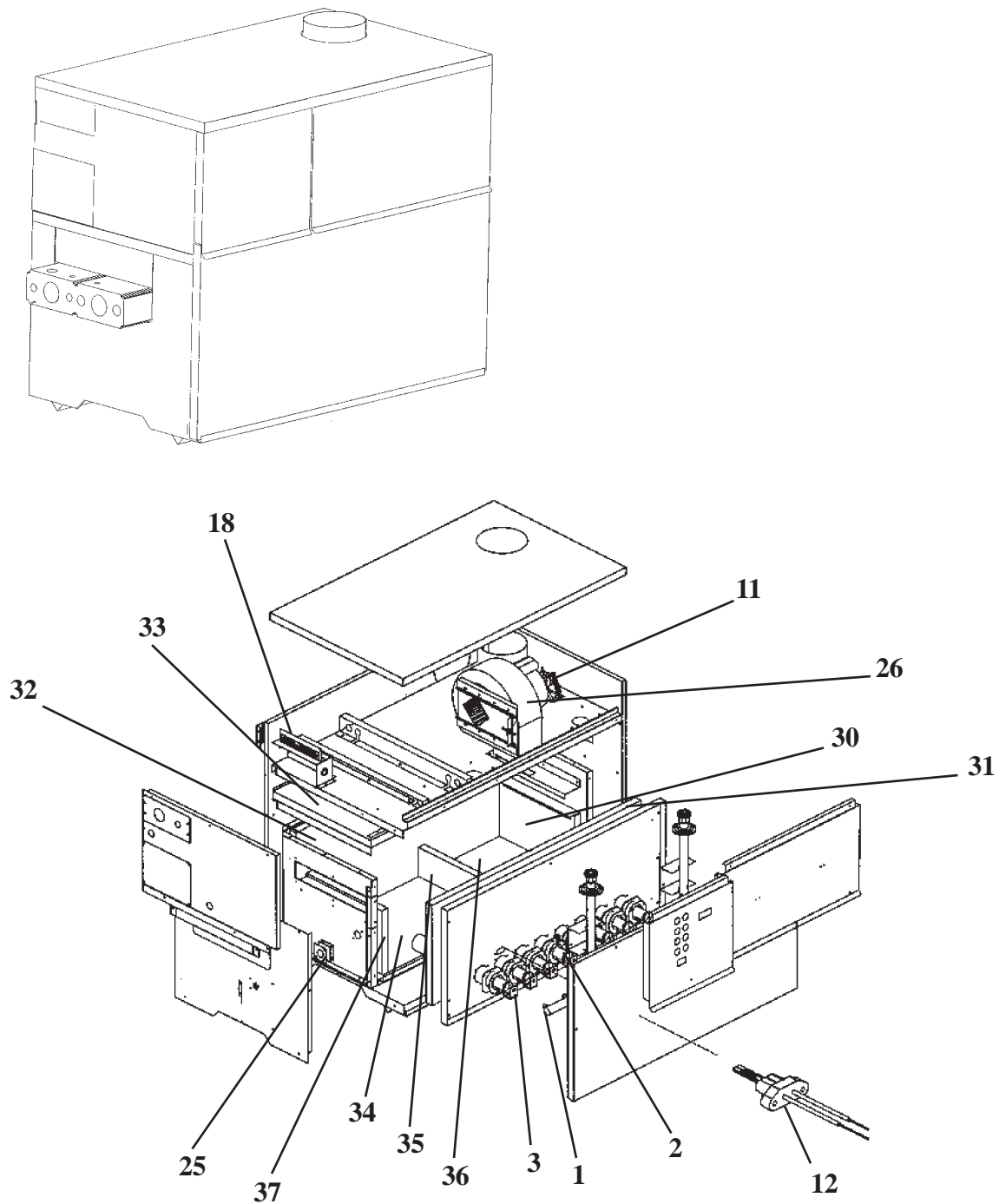




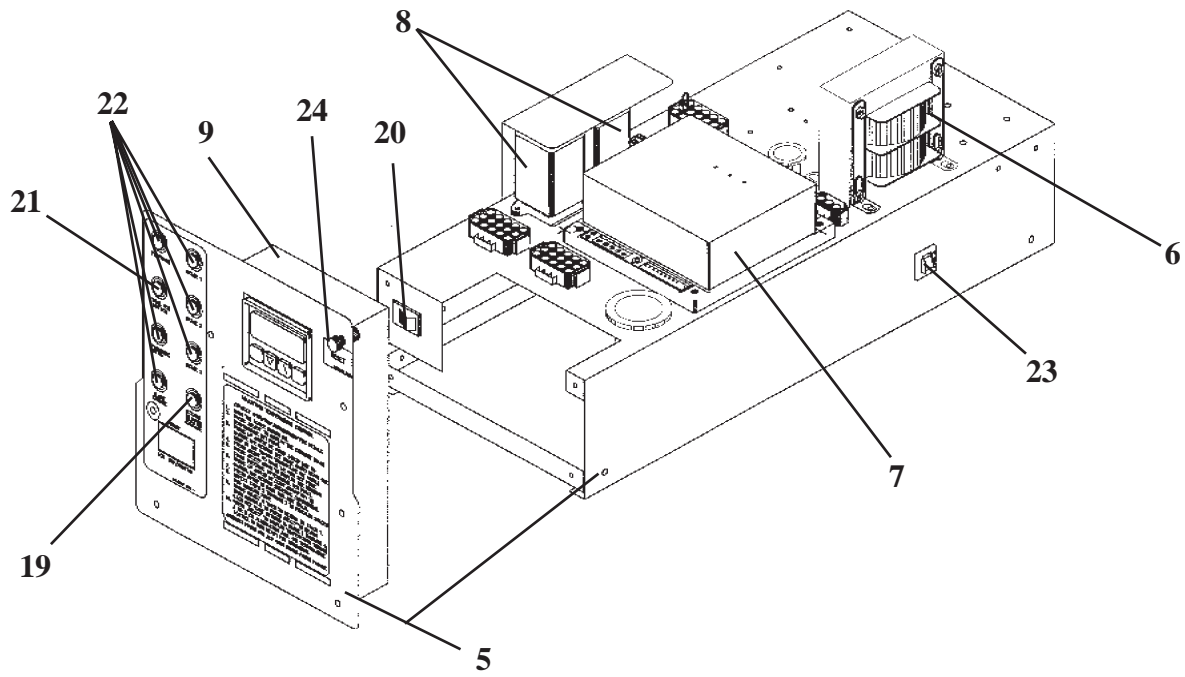
PARTS DEPOT
 Nashville, Tennessee
 615-889-8900 • Fax: 615-547-1000
 www.Lochinvar.com

Replacement Parts List

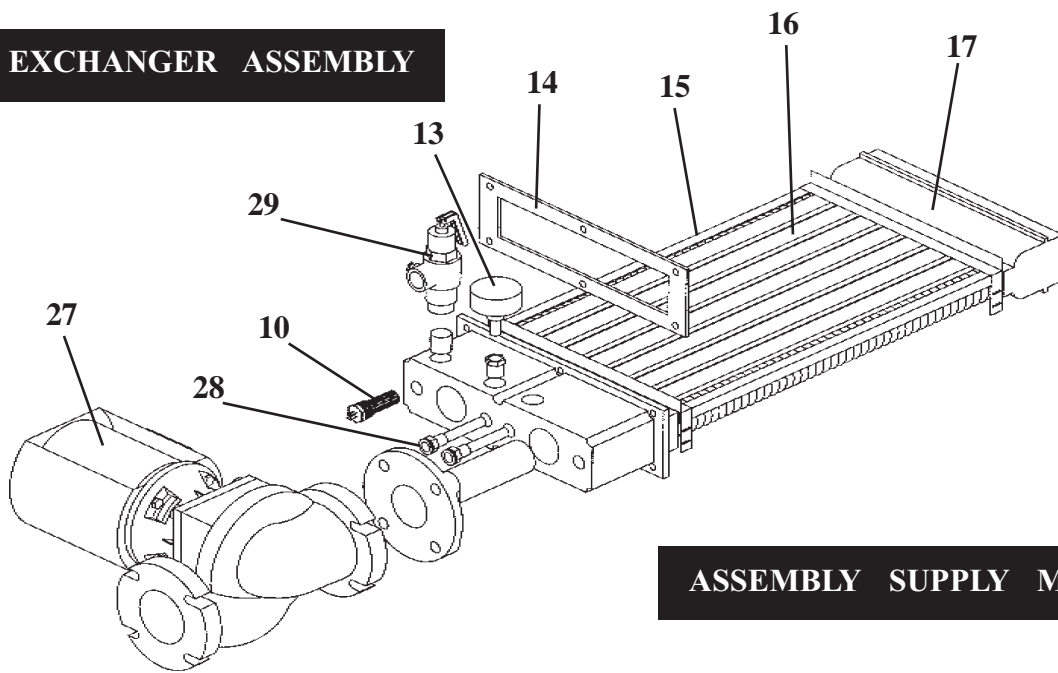
Copper-Fin II[®]
Boilers/Water Heaters/Pool Heaters
CH/CF/CP 401-751
Before Serial # L03H0016XXX



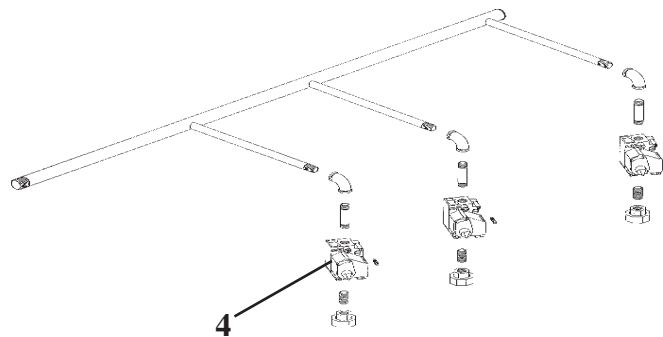
CONTROL PANEL



HEAT EXCHANGER ASSEMBLY



ASSEMBLY SUPPLY MANIFOLD



ITEM NO.	PART NO.	DESCRIPTION	MODEL NO.
Gas Train Assemblies			
1	ORF2406	NATURAL GAS ORIFICE	ALL
1	ORF2407	LP GAS ORIFICE	ALL
2	BNR3416	MACHINED BURNER	ALL NAT OR L.P.
3	BNR3417	MAIN BURNER	ALL NAT OR L.P.
4	VAL3405	NATURAL GAS VALVE ASSEMBLY	ALL
4	VAL3406	LP GAS VALVE ASSEMBLY	ALL
Controls & Gauges			
5	PAN4031	COMPLETE CONTROL PANEL	401-501
5	PAN4032	COMPLETE CONTROL PANEL	651-751
6	TRF2010	120V/24V TRANSFORMER 100 VA	ALL
7	RLY2402	IGNITION MODULE	ALL
8	RLY2424	24V RELAY (2)	ALL
9	RLY3715	ELECTRONIC THERMOSTAT CONTROL	ALL
10	HLC2500	HIGHT LIMIT	ALL CH
10	HLC2501	HIGHT LIMIT	ALL CF
11	PRS2421	AIR PRESSURE SWITCH	401-501
11	PRS2424	AIR PRESSURE SWITCH	651-751
12	PLT3400	HOT SURFACE IGNITOR	ALL
13	GTP2900	TEMPERATURE AND PRESSURE GAUGE	ALL BOILERS (CH)
13	GTP3000	TEMPERATURE GAUGE	ALL WH (CF)
--	WRE2416	TEMPERATURE SENSOR, INLET/OUTLET	ALL
Heat Exchanger			
14	GKT2400	HEATSHIELD GASKET	ALL
15	JKD6107	V-BAFFLE FRAME RUNNER (2 REQUIRED)	401
15	JKD6108	V-BAFFLE FRAME RUNNER	501
15	JKD6109	V-BAFFLE FRAME RUNNER	651
15	JKD6110	V-BAFFLE FRAME RUNNER	751
16	JKD2251	V-BAFFLE (REQUIRED)	401
16	JKD2252	V-BAFFLE (REQUIRED)	501
16	JKD2253	V-BAFFLE (REQUIRED)	651
16	JKD2254	V-BAFFLE (REQUIRED)	751
--	JKD6186	FRAME RUNNER	ALL
17	HEX3011	HEAT EXCHANGER HLW	CF401
17	HEX3012	HEAT EXCHANGER HLW	CF501
17	HEX3013	HEAT EXCHANGER HLW	CF651
17	HEX3014	HEAT EXCHANGER HLW	CF751
17	HEX3016	HEAT EXCHANGER CUPRO NICKEL HLW	CF401
17	HEX3017	HEAT EXCHANGER CUPRO NICKEL HLW	CF501
17	HEX3018	HEAT EXCHANGER CUPRO NICKEL HLW	CF651
17	HEX3019	HEAT EXCHANGER CUPRO NICKEL HLW	CF751
17	HEX3401	HEAT EXCHANGER H (CF before serial F00 & All CH)	401
17	HEX3402	HEAT EXCHANGER H (CF before serial F00 & All CH)	501
17	HEX3403	HEAT EXCHANGER H (CF before serial F00 & All CH)	651
17	HEX3404	HEAT EXCHANGER H (CF before serial F00 & All CH)	751
17	HEX3441	HEAT EXCHANGER H CUPRO NICKEL (CF before serial F00 & All CH)	401
17	HEX3442	HEAT EXCHANGER H CUPRO NICKEL (CF before serial F00 & All CH)	501
17	HEX3443	HEAT EXCHANGER H CUPRO NICKEL (CF before serial F00 & All CH)	651
17	HEX3444	HEAT EXCHANGER H CUPRO NICKEL (CF before serial F00 & All CH)	751

NOTE: CB=Boiler, CW=Water Heater & CS=Pool Heater
Please have model number and serial number when ordering parts

ITEM NO.	PART NO.	DESCRIPTION	MODEL NO.
Miscellaneous			
18	MSC2329	TERMINAL BOARD	ALL
19	MSC2409	24V LIGHT GREEN	ALL
20	MSC2426	ROCKER SWITCH	ALL
21	MSC2448	120V LIGHT WHITE	ALL
22	MSC2449	24V LIGHT WHITE	ALL
23	MSC2465	5 AMP CIRCUIT BREAKER	ALL
24	MSC2726	RESET BUTTON	ALL
25	MSC3415	SIGHT GLASS KIT	ALL
26	FAN2402	FAN	401-501
26	FAN2403	FAN	651-751
27	ARM3044PBF	PUMP COMPLETE	ALL
28	TST2301	THERMOSTAT BULB WELL	ALL
29	RLV2006	TEMPERATURE & PRESSURE RELIEF VALVE	401 ONLY
29	RLV2007	TEMPERATURE & PRESSURE RELIEF VALVE	501 - 751
29	RLV2001	PRESSURE ONLY RELIEF VALVE	ALL BOILERS (CH)
--	WRE2498	RUMP DELAY HARNESS	ALL CF
--	RLY2041	PUMP DELAY	ALL CF
Loch-Heat™ Tile			
30	FIB2421	REAR HEAD SIDE	ALL
31	FIB2492	FRONT PANEL	401
31	FIB2493	FRONT PANEL	501
31	FIB2494	FRONT PANEL	651
31	FIB2495	FRONT PANEL	751
32	FIB2401	BACK PANEL	401
32	FIB2402	BACK PANEL	501
32	FIB2403	BACK PANEL	651
32	FIB2404	BACK PANEL	751
33	FIB2479	TOP PANEL	401
33	FIB2480	TOP PANEL	501
33	FIB2481	TOP PANEL	651
33	FIB2482	TOP PANEL	751
34	FIB2500	BOTTOM LEFT PANEL	401
34	FIB2502	BOTTOM LEFT PANEL	501
34	FIB2503	BOTTOM LEFT PANEL	651
34	FIB2504	BOTTOM LEFT PANEL	751
35	FIB2806	BOTTOM DIVIDER PANEL	ALL
36	FIB2501	BOTTOM RIGHT PANEL	401
36	FIB2502	BOTTOM RIGHT PANEL	501
36	FIB2503	BOTTOM RIGHT PANEL	651
36	FIB2504	BOTTOM RIGHT PANEL	751
37	FIB2420	FRONT HEAD SIDE	ALL
--	FIB2505	BOTTOM CENTER PANEL	651-751 NOT SHOWN