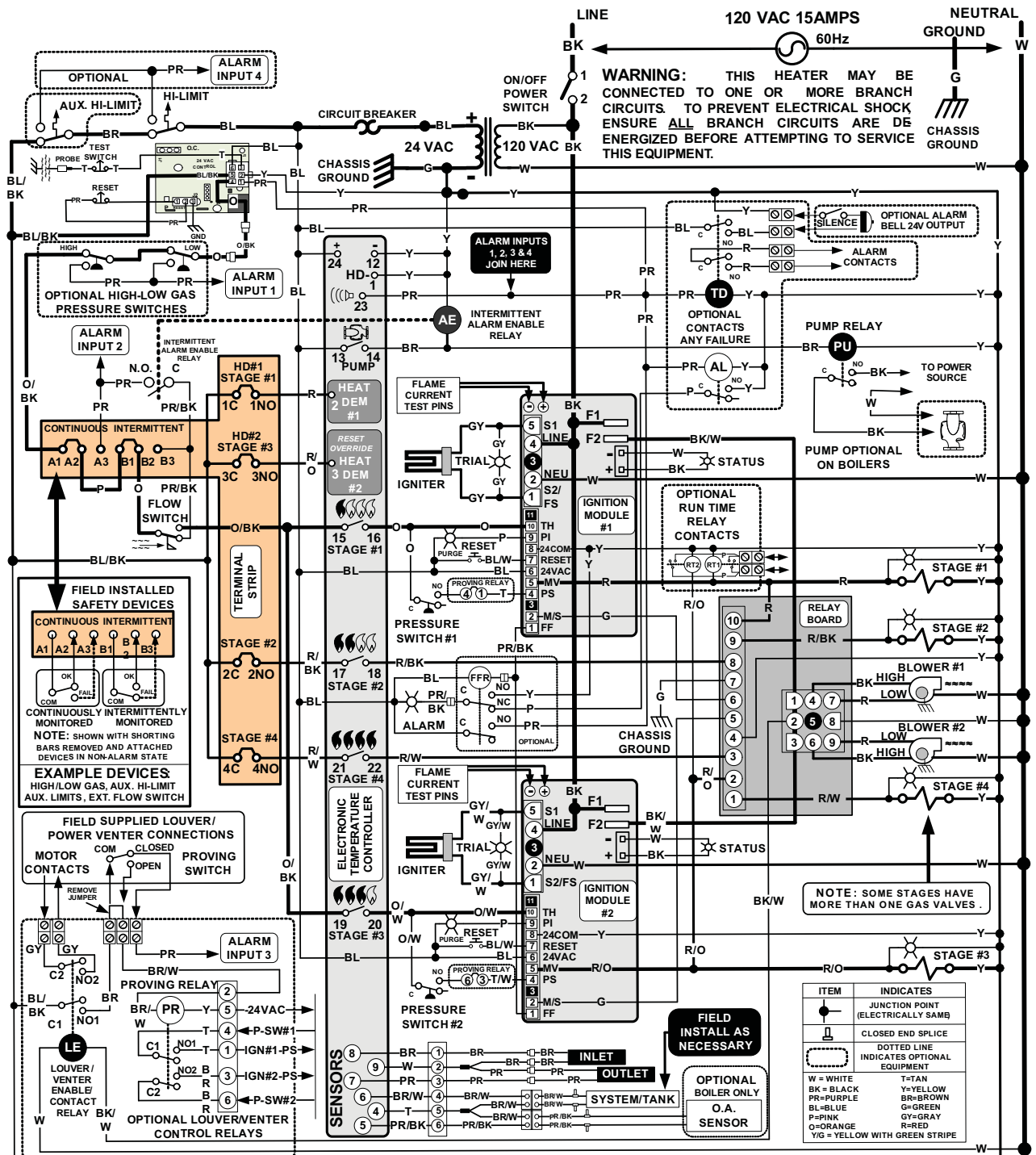


COPPER-FIN II® WATER HEATERS / BOILERS WIRING DIAGRAMS

MODELS CF/CH 991 - 2071



WARNING: THIS HEATER MAY BE CONNECTED TO ONE OR MORE BRANCH CIRCUITS TO PREVENT ELECTRICAL SHOCK ENSURE ALL BRANCH CIRCUITS ARE DEENERGIZED BEFORE ATTEMPTING TO SERVICE THIS EQUIPMENT.

FIELD INSTALLED SAFETY DEVICES

CONTINUOUSLY INTERMITTENTLY MONITORED MONITORED

NOTE: SHOWN WITH SHORTING BARS REMOVED AND ATTACHED DEVICES IN NON-ALARM STATE

EXAMPLE DEVICES
HIGH/LOW GAS, AUX. HI-LIMIT, AUX. LIMITS, EXT. FLOW SWITCH

FIELD SUPPLIED LOUVER/POWER VENTER CONNECTIONS

MOTOR CONTACTS COM CLOSED PROVING SWITCH

REMOVE JUMPER

OPTIONAL LOUVER/VENTER CONTROL RELAYS

PROVING RELAY

LOUVER/VENTER ENABLE CONTACT RELAY

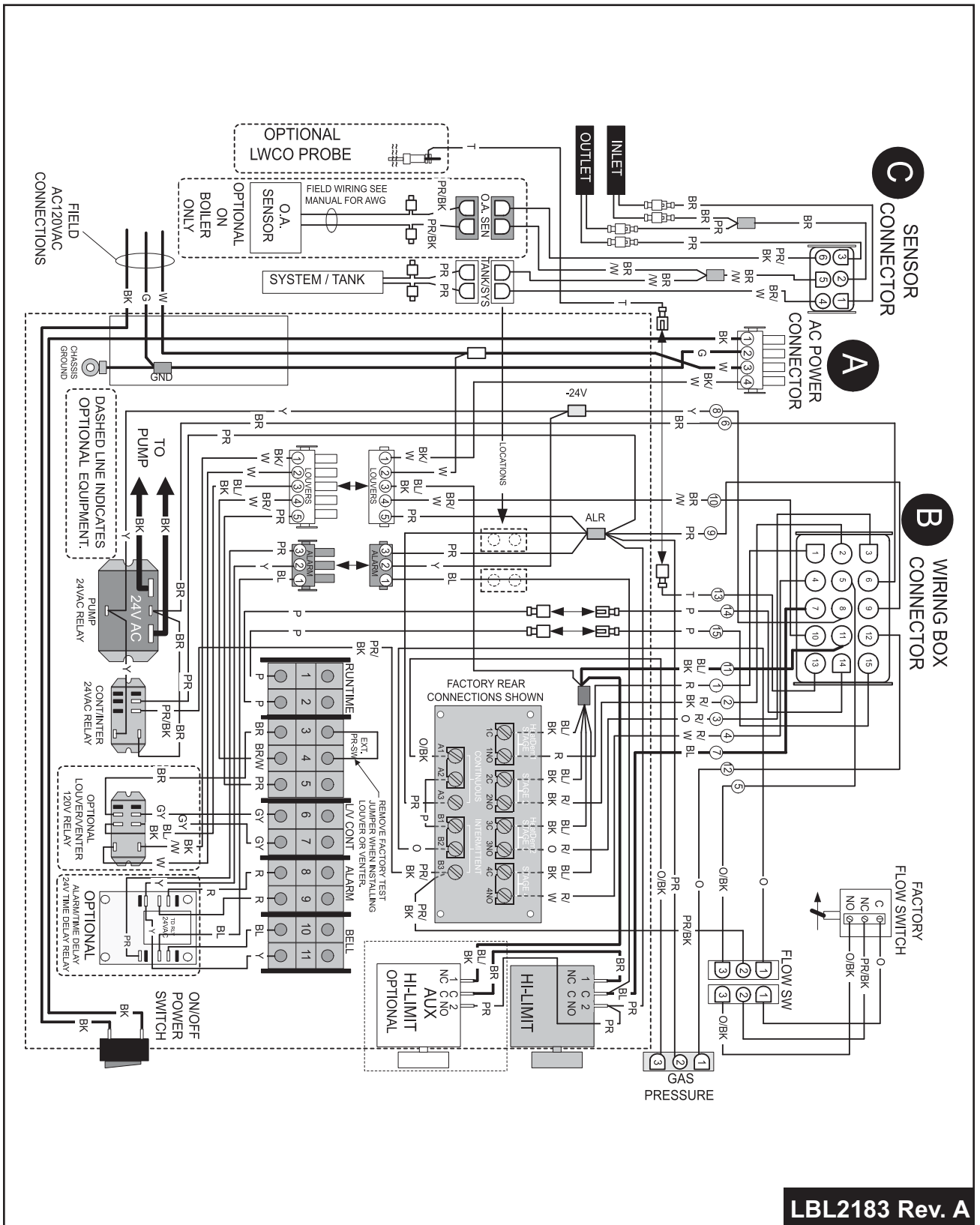
OPTIONAL BOILER ONLY O.A. SENSOR

- (R) = RELAYS LOCATED ON CONTROL PANEL
- (R) = RELAYS LOCATED IN WIRING BOX
- ⊗ = LEDS LOCATED ON DISPLAY BOARD
- ⊗ = OPTIONAL DIN RAIL CONNECTORS LOCATED IN ELECTRICAL WIRING BOX.

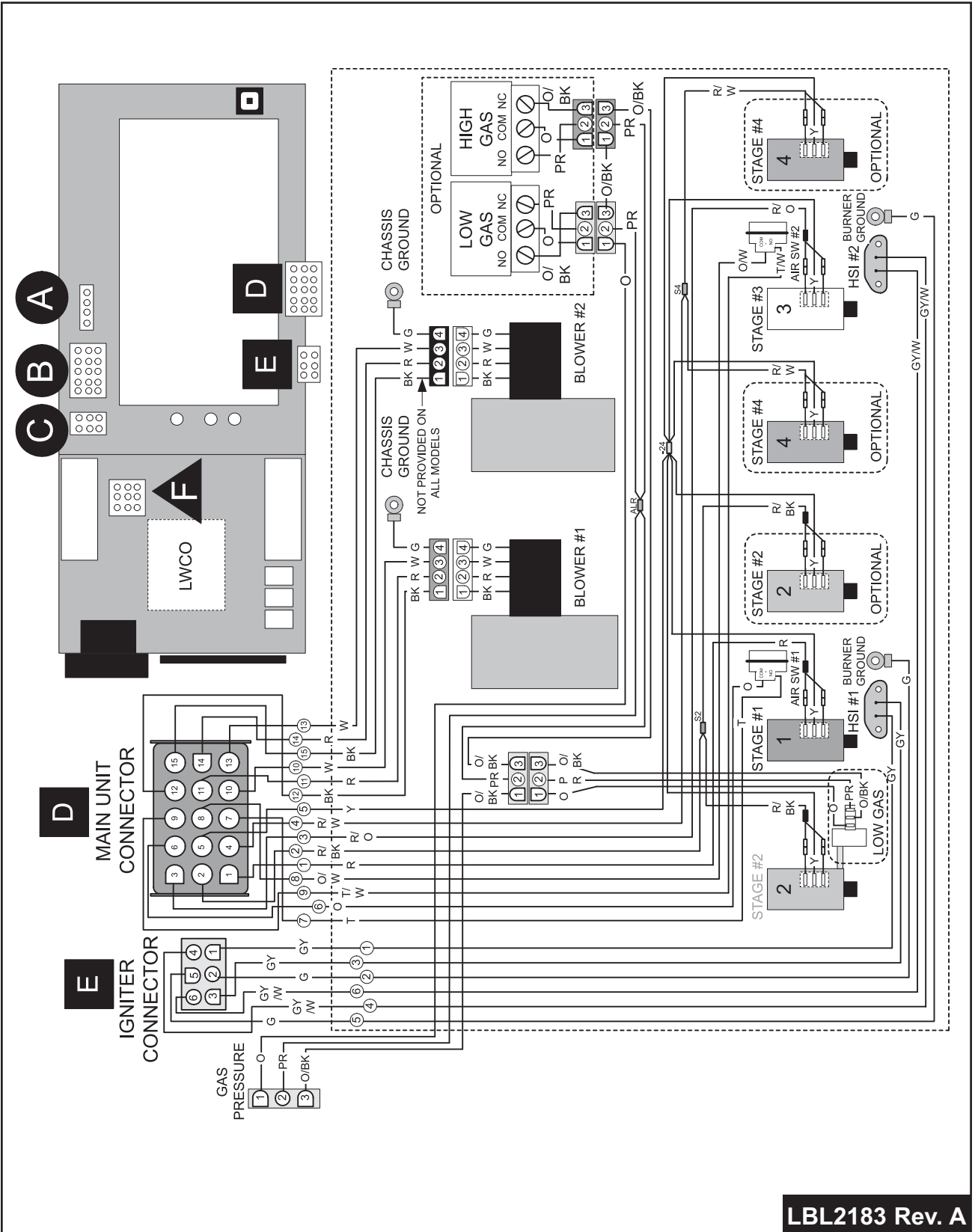
- NOTES:**
- (1) WHERE POSSIBLE, ALL SWITCHES AND CIRCUITRY ARE SHOWN IN THEIR AT REST STATES
 - (2) ADDITION OF ENERGY MANAGEMENT SYSTEMS OR OPTIONAL LIMIT SWITCHES TO THE TERMINAL STRIP REQUIRE THE REMOVAL OF SOME OF THE SHORTING BARS FROM THE TERMINAL STRIP
 - (3) SCHEMATIC IS WIRING DIAGRAM REFER TO ACTUAL COMPONENTS FOR EXACT TERMINAL LOCATIONS
 - (4) WHEN REPLACING DAMAGED WIRING USE EQUIVALENT TYPE AND GAUGE

ITEM	INDICATES
⊗	JUNCTION POINT (ELECTRICALLY SAME)
⊔	CLOSED END SPLICE
⋯	DOTTED LINE INDICATES OPTIONAL EQUIPMENT
W	WHITE
BK	BLACK
PR	PURPLE
BL	BLUE
T	PINK
O	ORANGE
YIG	YELLOW WITH GREEN STRIPE
T-TAN	TAN
Y	YELLOW
BR	BROWN
G	GREEN
GY	GRAY
R	RED

WIRING BOX CONNECTIONS - Copper-Fin II® Water Heaters/Boilers

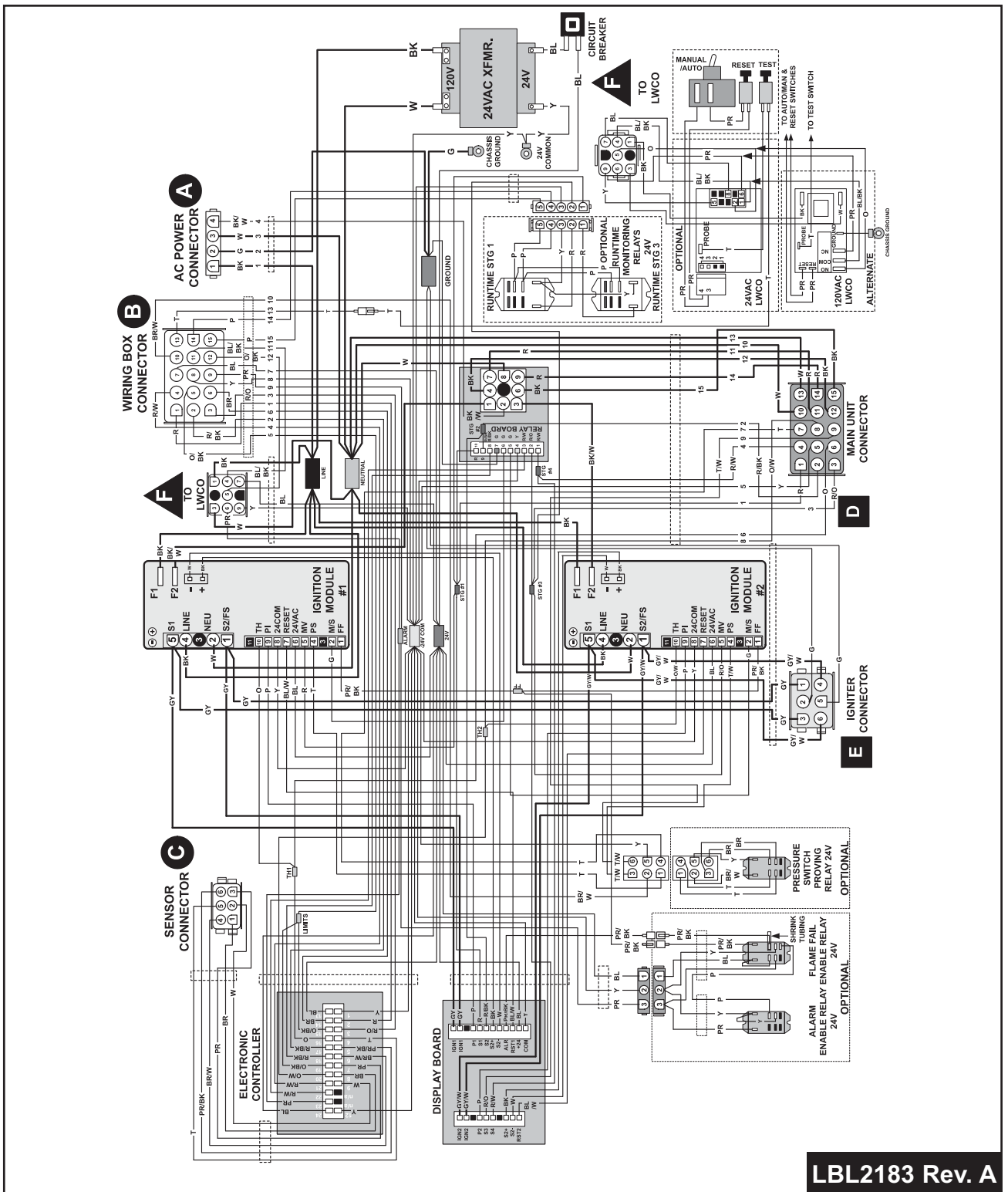


MAIN UNIT CONNECTIONS - Copper-Fin II® Water Heaters/Boilers



LBL2183 Rev. A

CONTROL BOX CONNECTIONS - Copper-Fin II® Water Heaters/Boilers



LBL2183 Rev. A



Lochinvar Corporation • 300 Maddox Simpson Pkwy • Lebanon, TN 37090 • 615-889-8900 / Fax: 615-547-1000

www.Lochinvar.com