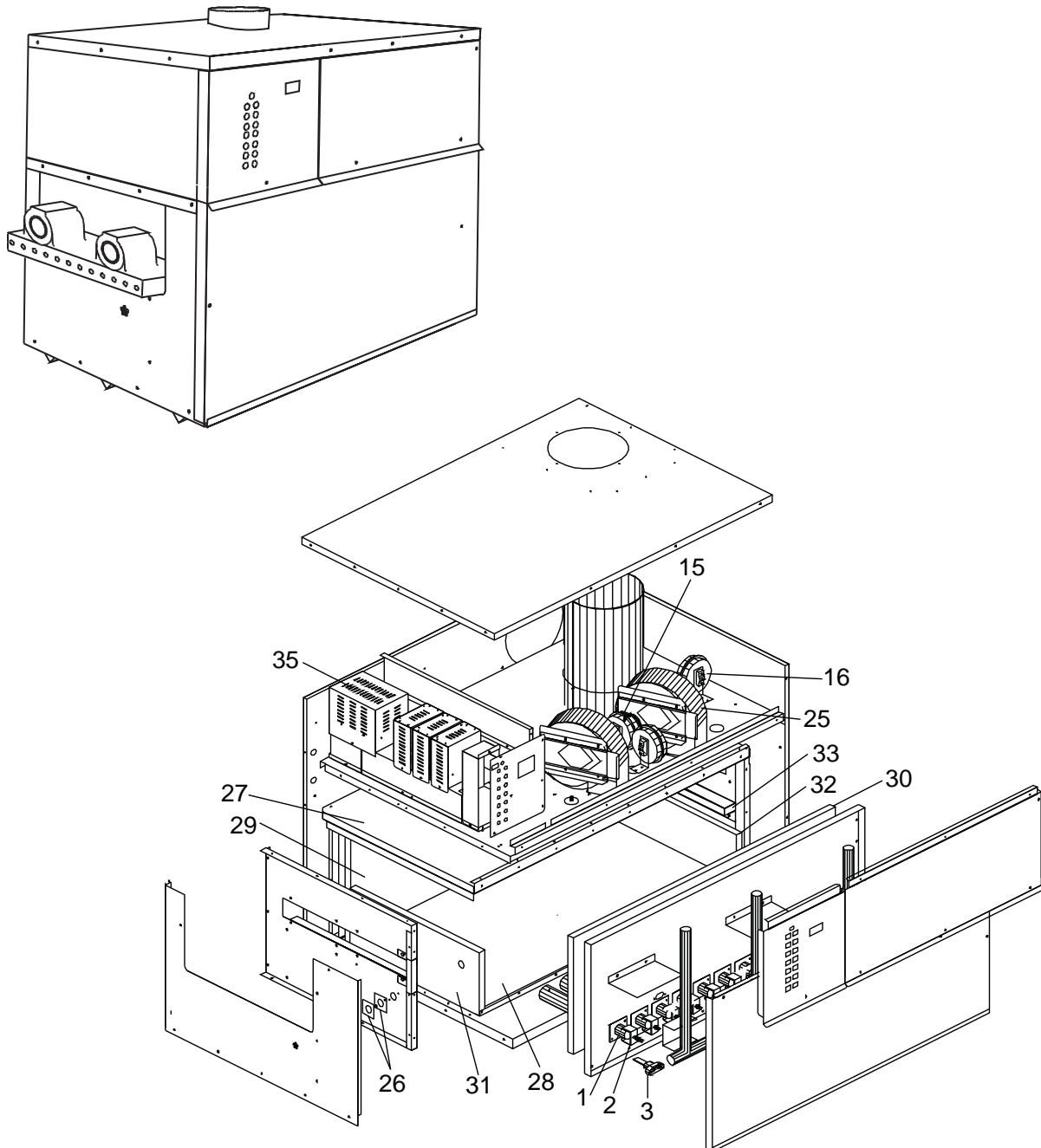




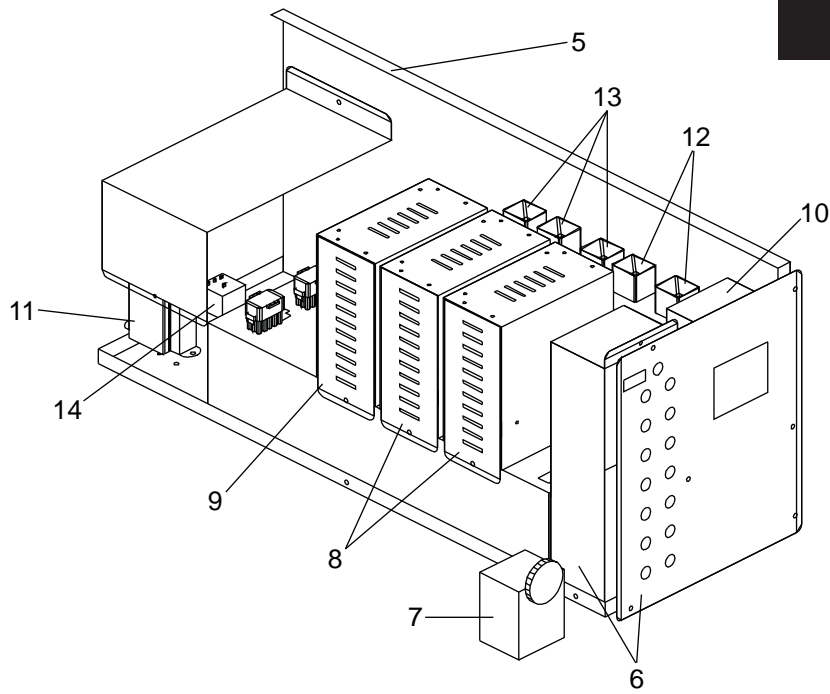
PARTS & SERVICE DEPARTMENT
 Nashville, Tennessee
 615-889-8900 • Fax: 615-882-2918
 parts_team@lochinvar.com
 www.Lochinvar.com

Replacement Parts List

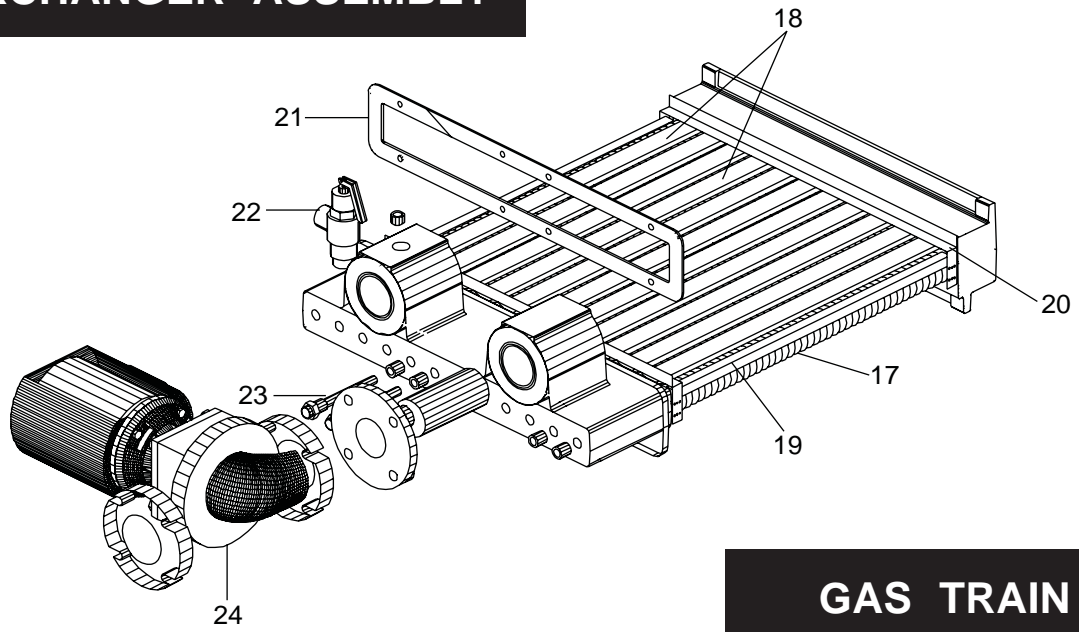
Copper-Fin II®
Boilers / Water Heaters / Pool Heaters
 CH / CF / CP 990-2070
 Beginning Serial Number: G936199 to Present



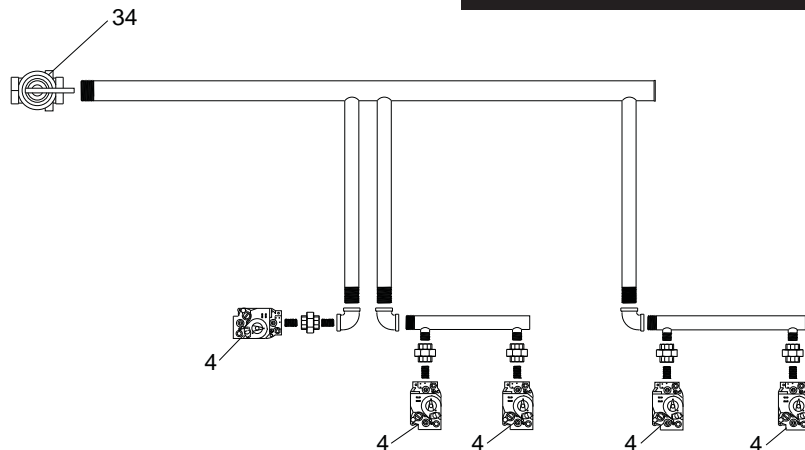
CONTROL PANEL



HEAT EXCHANGER ASSEMBLY



GAS TRAIN



| ITEM NO. | PART NO. | DESCRIPTION | MODEL NO. | | | |
|--|--------------|--|----------------|----------------|----------------|--|
| BURNERS | | | | | | |
| 1 | KIT # | MODEL | BNR2404 | BNR3501 | BNR3502 | (BNR2404) MAIN BURNER (BNR3501) MAIN BURNER W/ COMPRESSION FITTING (BNR3502) MAIN BURNER W/ BARBED FITTING |
| | BNR3410 | 990 | 9 EA. | 1 EA. | 1 EA. | |
| | BNR3411 | 1260 | 12 EA. | 1 EA. | 1 EA. | |
| | BNR3412 | 1440 | 14 EA. | 1 EA. | 1 EA. | |
| | BNR3413 | 1800 | 17 EA. | 1 EA. | 2 EA. | |
| | BNR3414 | 2070 | 20 EA. | 1 EA. | 2 EA. | |
| GAS TRAIN ASSEMBLIES | | | | | | |
| 2 | ORF2413 | ORIFICE, NAT. | | | | ALL |
| 2 | ORF2405 | ORIFICE, LPG. | | | | ALL |
| 3 | PLT3400 | HOT SURFACE IGNITOR | | | | ALL |
| 4 | VAL3403 | VALVE, GAS NAT. | | | | ALL |
| 4 | VAL3404 | VALVE, GAS LPG. | | | | ALL |
| CONTROLS & GAUGES | | | | | | |
| 5 | PAN3000 | CONTROL PANEL COMPLETE | | | | ALL |
| 6 | PAN30006 | LIGHT ASSEMBLY W/ FRONT ESCUTCHEON | | | | ALL |
| 7 | HLC2702 | HIGH LIMIT MANUAL RESET | | | | ALL |
| 8 | RLY3002 | IGNITION MODULE | | | | ALL |
| 9 | RLY3003 | TIME DELAY MODULE | | | | ALL |
| 10 | PAN30000 | ELECTRONIC THERMOSTAT CONTROL | | | | ALL |
| 10 | PAN30001 | ELECTRONIC THERMOSTAT CONTROL, W/ INDOOR / OUTDOOR SENSORS | | | | OPTIONAL |
| 11 | TRF2701 | TRANSFORMER 150V.A. | | | | ALL |
| 12 | RLY2425 | RELAY 120 VOLT | | | | ALL |
| 13 | RLY2424 | RELAY 24 VOLT | | | | ALL |
| 14 | RLY2706 | RELAY, POWER | | | | ALL |
| 15 | PRS2416 | PRESSURE SWITCH, DUAL | | | | ALL |
| 16 | PRS30025 | PRESSURE SWITCH, LOW AIR | | | | ALL |
| -- | PRS2406 | PRESSURE SWITCH, POOL HEATER | | | | CP |
| HEAT EXCHANGERS | | | | | | |
| 17 | HEX3420 | HEAT EXCHANGER H (CF & CP BEFORE SERIAL F00 & ALL CH) | | | | 990 |
| 17 | HEX3421 | HEAT EXCHANGER H (CF & CP BEFORE SERIAL F00 & ALL CH) | | | | 1260 |
| 17 | HEX3422 | HEAT EXCHANGER H (CF & CP BEFORE SERIAL F00 & ALL CH) | | | | 1440 |
| 17 | HEX3423 | HEAT EXCHANGER H (CF & CP BEFORE SERIAL F00 & ALL CH) | | | | 1800 |
| 17 | HEX3424 | HEAT EXCHANGER H (CF & CP BEFORE SERIAL F00 & ALL CH) | | | | 2070 |
| 17 | HEX3000 | HEAT EXCHANGER HLW (AFTER SERIAL # F00) | | | | CF/CP990 |
| 17 | HEX3001 | HEAT EXCHANGER HLW (AFTER SERIAL # F00) | | | | CF/CP1260 |
| 17 | HEX3002 | HEAT EXCHANGER HLW (AFTER SERIAL # F00) | | | | CF/CP1440 |
| 17 | HEX3003 | HEAT EXCHANGER HLW (AFTER SERIAL # F00) | | | | CF/CP1800 |
| 17 | HEX3004 | HEAT EXCHANGER HLW (AFTER SERIAL # F00) | | | | CF/CP2070 |
| 18 | JKE2004 | V-BAFFLE (9 PER UNIT) | | | | 990 |
| 18 | JKE2005 | V-BAFFLE (9 PER UNIT) | | | | 1260 |
| 18 | JKE2006 | V-BAFFLE (9 PER UNIT) | | | | 1440 |
| 18 | JKE2007 | V-BAFFLE (9 PER UNIT) | | | | 1800 |
| 18 | JKE2008 | V-BAFFLE (9 PER UNIT) | | | | 2070 |
| 19 | JKE6159 | V-BAFFLE FRAME RUNNER | | | | 990 |
| 19 | JKE6160 | V-BAFFLE FRAME RUNNER | | | | 1260 |
| 19 | JKE6161 | V-BAFFLE FRAME RUNNER | | | | 1440 |
| 19 | JKE6162 | V-BAFFLE FRAME RUNNER | | | | 1800 |
| 19 | JKE6163 | V-BAFFLE FRAME RUNNER | | | | 2070 |
| 20 | JKD6187 | V-BAFFLE FRAME END | | | | ALL |
| 21 | GKT2418 | GASKET, HEAT SHIELD | | | | ALL |
| 22 | RLV2001 | RELIEF VALVE, PRESSURE ONLY | | | | CH |
| 22 | RLV2017 | RELIEF VALVE, TEMPERATURE & PRESSURE | | | | CF |
| 23 | TST2301 | WELL, THERMOSTAT | | | | ALL |
| -- | HLC2503 | 110° HI LIMIT (POOL PIPING) | | | | CP |
| -- | HLC2510 | 200° HI LIMIT (OUTLET SIDE) BEGINNING SERIAL # A980000 | | | | CP |
| -- | GTP2900 | PRESSURE TEMPERATURE GAUGE | | | | CH |
| * "CONSULT FACTORY" | | | | | | |
| NOTE: CH = BOILER, CF = WATER HEATER & CP = POOL HEATER | | | | | | |

| ITEM NO. | PART NO. | DESCRIPTION | MODEL NO. |
|------------------------|--------------|--|------------|
| PUMPS | | | |
| 24 | ARM3024PBF | PUMP (BEFORE SERIAL # L01) | CF |
| 24 | ARM3024PAB | PUMP (AFTER SERIAL # L01 STANDARD) | CF |
| 24 | ARM3024PABTE | PUMP | CP |
| MISCELLANEOUS | | | |
| 25 | FAN2714 | FAN ASSEMBLY | ALL |
| 26 | MSC3415 | SIGHT GLASS & GASKET | ALL |
| -- | RLY2041 | PUMP DELAY RELAY | CF |
| -- | WRE2416 | SENSOR | ALL |
| -- | MSC2448 | LIGHT, INDICATOR | ALL |
| -- | MSC2449 | LIGHT, INDICATOR | ALL |
| -- | MSC2420 | TERMINAL STRIP 6 POLE | ALL |
| -- | MSC2447 | CIRCUIT BREAKER 7 AMP. | ALL |
| -- | WTR2041 | SWITCH, FLOW OUTDOOR | CF/CH |
| -- | MSC2426 | SWITCH, MAIN POWER | ALL |
| -- | MSC2706 | TUBING, EDPM 1/4" (ORDER BY THE FOOT) | ALL |
| -- | MSC2461 | TUBING, SILICONE (ORDER BY THE FOOT) | ALL |
| -- | MSC2406 | TUBING, EDPM 1/8" (ORDER BY THE FOOT) | ALL |
| LOCH-HEAT® TILE | | | |
| 27 | FIB2441 | LOCH-HEAT TILE, TOP RIGHT SIDE | 990 |
| 27 | FIB2442 | LOCH-HEAT TILE, TOP LEFT SIDE | 990 |
| 27 | FIB2443 | LOCH-HEAT TILE, TOP RIGHT SIDE | 1260-1440 |
| 27 | FIB2444 | LOCH-HEAT TILE, TOP LEFT SIDE | 1260 |
| 27 | FIB2445 | LOCH-HEAT TILE, TOP LEFT SIDE | 1440 |
| 27 | FIB2446 | LOCH-HEAT TILE, TOP RIGHT SIDE | 1800-2070 |
| 27 | FIB2447 | LOCH-HEAT TILE, TOP MIDDLE | 1800-2070 |
| 27 | FIB2448 | LOCH-HEAT TILE, TOP LEFT SIDE | 1800 |
| 27 | FIB2449 | LOCH-HEAT TILE, TOP LEFT SIDE | 2070 |
| 28 | FIB2471 | LOCH-HEAT TILE, BOTTOM | 990 |
| 28 | FIB2450 | LOCH-HEAT TILE, BOTTOM RIGHT | 1440-2070 |
| 28 | FIB2451 | LOCH-HEAT TILE, BOTTOM | 1260 |
| 28 | FIB2452 | LOCH-HEAT TILE, BOTTOM LEFT | 1440 |
| 28 | FIB2453 | LOCH-HEAT TILE, BOTTOM LEFT | 1800 |
| 28 | FIB2454 | LOCH-HEAT TILE, BOTTOM LEFT | 2070 |
| 29 | FIB2472 | LOCH-HEAT TILE, BACK | 990 |
| 29 | FIB2455 | LOCH-HEAT TILE, BACK RIGHT | 1440-2070 |
| 29 | FIB2456 | LOCH-HEAT TILE, BACK | 1260 |
| 29 | FIB2457 | LOCH-HEAT TILE, BACK LEFT | 1440 |
| 29 | FIB2458 | LOCH-HEAT TILE, BACK LEFT | 1800 |
| 29 | FIB2459 | LOCH-HEAT TILE, BACK LEFT | 2070 |
| 30 | FIB2460 | LOCH-HEAT TILE, FRONT DOOR | 990 |
| 30 | FIB2461 | LOCH-HEAT TILE, FRONT DOOR | 1260 |
| 30 | FIB2462 | LOCH-HEAT TILE, FRONT DOOR RIGHT | 1440 |
| 30 | FIB2469 | LOCH-HEAT TILE, FRONT DOOR LEFT | 1440 |
| 30 | FIB2463 | LOCH-HEAT TILE, FRONT DOOR RIGHT | 1800 |
| 30 | FIB2470 | LOCH-HEAT TILE, FRONT DOOR LEFT | 1800 |
| 30 | FIB2464 | LOCH-HEAT TILE, FRONT DOOR RIGHT | 2070 |
| 30 | FIB2465 | LOCH-HEAT TILE, FRONT DOOR LEFT | 2070 |
| 31 | FIB2466 | LOCH-HEAT TILE, FRONT HEAD SIDE | ALL |
| 32 | FIB2467 | LOCH-HEAT TILE, REAR HEAD SIDE | ALL |
| 33 | FIB2468 | LOCH-HEAT TILE, REAR HEAD SPACER STRIP | ALL |
| OPTIONAL | | | |
| 34 | GAC2031 | GAS COCK | 990 & 1260 |
| 34 | GAC2032 | GAS COCK | 1440-2070 |
| 35 | PAN3401 | OPTION BOX A: LOUVER RELAY W/ PUMP DELAY | ALL |
| 35 | PAN3402 | OPTION BOX B: MR-LWCO, LOUVER W/ PUMP DELAY | ALL |
| 35 | PAN3403 | OPTION BOX C: MR-LWCO, LOUVER W/ PUMP DELAY, ALARM ANY FAILURE | ALL |
| - | FAN2013 | PROVING SWITCH FOR HS5 | ALL |

PLEASE HAVE MODEL NUMBER AND SERIAL NUMBER WHEN ORDERING PARTS.