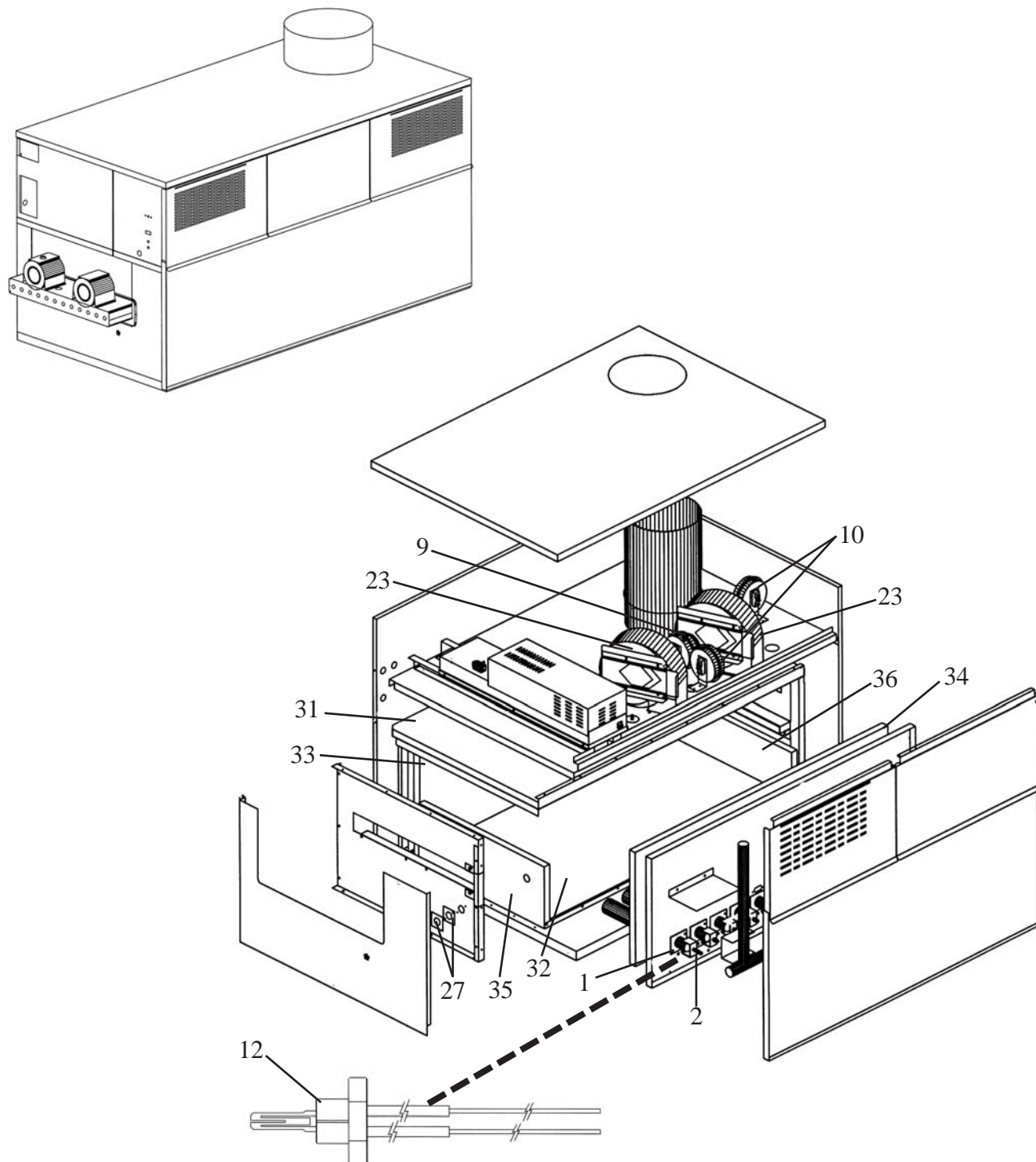




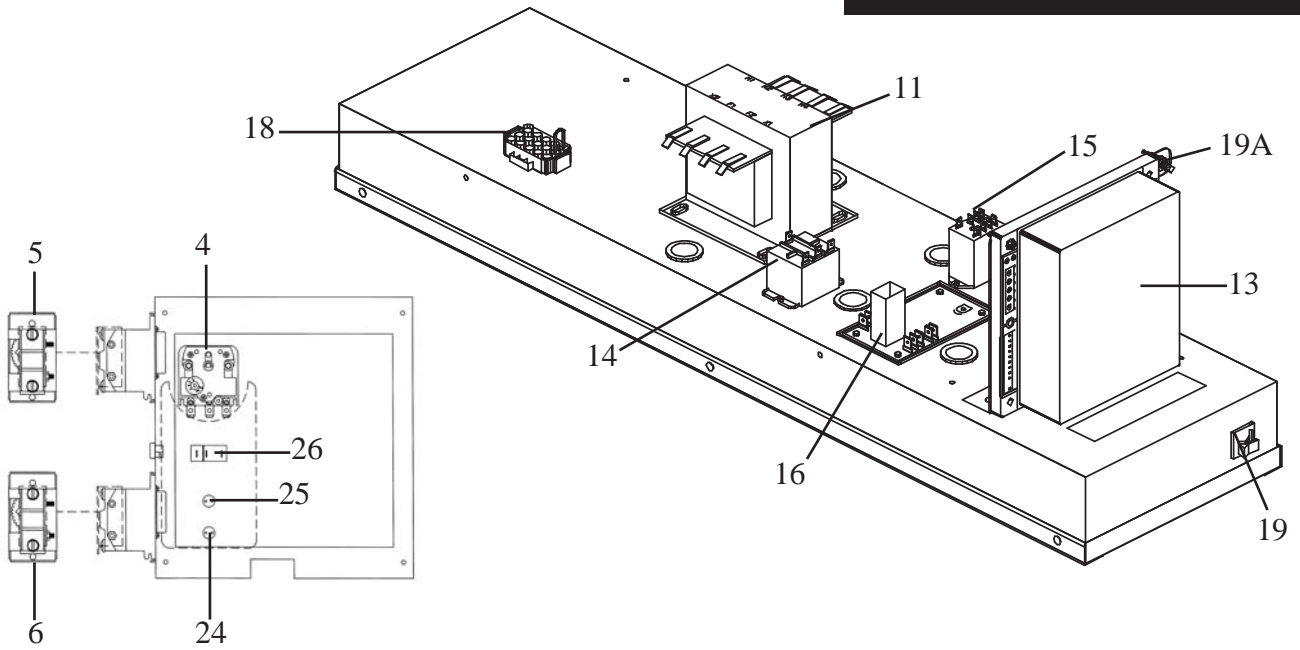
PARTS & SERVICE DEPARTMENT
 Nashville, Tennessee
 615-889-8900 • Fax: 615-882-2918
 parts_team@lochinvar.com
 www.Lochinvar.com

Replacement Parts List

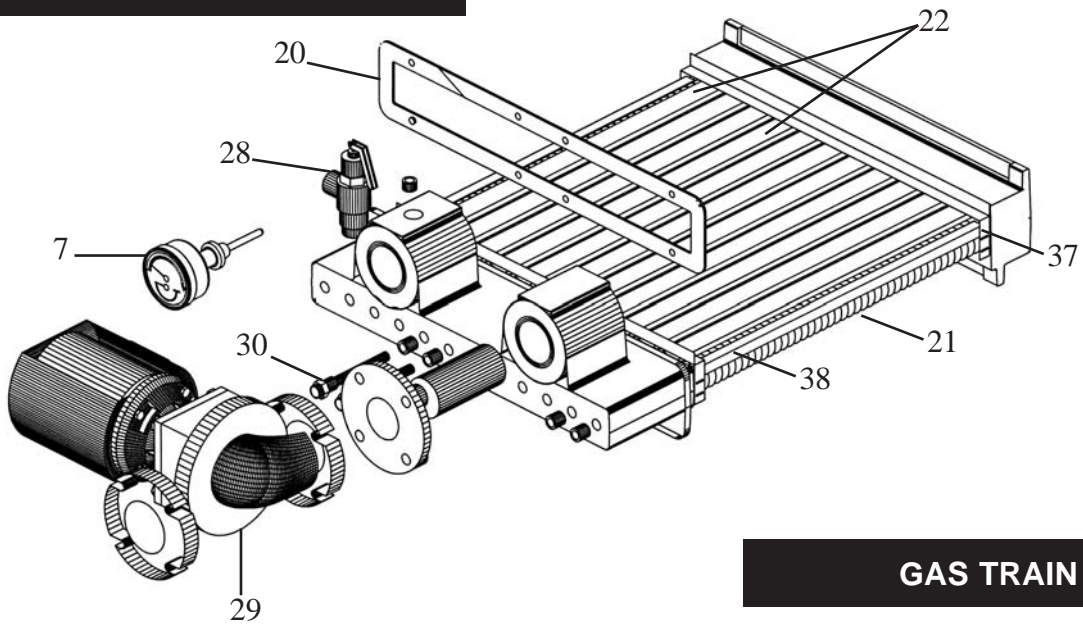
Copper-Fin®
Boilers — Water Heaters
& Pool Heaters
CB—CW—CS — 985-2065
Beginning Serial Number: A950000



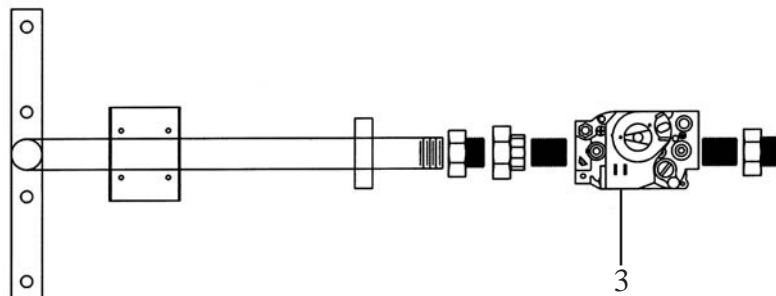
CONTROL PANEL



HEAT EXCHANGER ASSEMBLY



GAS TRAIN



ITEM NO.	PART NO.	DESCRIPTION	MODEL NO.			
BURNERS						
1	KIT #	MODEL	BNR2404	BNR3501	BNR3502	(BNR2404) MAIN BURNER
	BNR3410	985	9 ea.	1 ea.	1 ea.	(BNR3501) MAIN BURNER W/ COMPRESSION FITTING
	BNR3411	1255	12 ea.	1 ea.	1 ea.	
	BNR3412	1435	14 ea.	1 ea.	1 ea.	(BNR3502) MAIN BURNER W/ BARBED FITTING
	BNR3413	1795	17 ea.	1 ea.	2 ea.	
BNR3414	2065	20 ea.	1 ea.	2 ea.		
GAS TRAIN ASSEMBLIES						
2	ORF2413	ORIFICE, NAT.				ALL
2	ORF2405	ORIFICE, LPG.				ALL
3	VAL3403	VALVE, GAS NAT., W/ NIPPLES				ALL
3	VAL3404	VALVE, GAS LPG., W/ NIPPLES				ALL
CONTROLS AND GAUGES						
4	TST2701	THERMOSTAT, OPERATOR				ALL CB/CW/CS
5	TST30010	THERMOSTAT, HIGH LIMIT				ALL CB/CS
6	TST30009	THERMOSTAT, LIMIT				ALL CW
5	TST30010	THERMOSTAT, HIGH LIMIT				ALL CW
—	TST20027	THERMOSTAT, OPERATOR-HIGH LIMIT (BYPASS LOOP) PRIOR TO 4/98				ALL CS
7	GTP2900	TEMPERATURE & PRESSURE GAUGE				ALL CB
7	GTP3000	TEMPERATURE GAUGE 2 PER UNIT				ALL CW/CS
—	MSC2016	TERMINAL STRIP, 8 POLE				ALL
9	PRS2416	PRESSURE SWITCH, BLOCKED FLUE & LOW AIR				ALL
10	PRS30025	PRESSURE SWITCH, LOW AIR				ALL
11	TRF2701	TRANSFORMER 150V.A.				ALL
—	WTR2041	SWITCH, FLOW OUTDOOR				ALL CB/CW
—	WTR2040	SWITCH, FLOW INDOOR				ALL CB/CW
12	PLT3400	HOT SURFACE IGNITOR				ALL
13	RLY3428	IGNITION MODULE ASSEMBLY				ALL
14	RLY2706	RELAY, POWER 120V				ALL
15	RLY2903	RELAY 24V				ALL
16	RLY2714	TIME DELAY RELAY				ALL
18	WRE2407	WIRING HARNESS / SHORTING PLUG				ALL
19	MSC2447	CIRCUIT BREAKER 7 AMP				ALL
19A	MSC2726	CIRCUIT BREAKER				ALL
—	PRS2415	PRESSURE SWITCH, GAS				ALL
—	PRS2406	SWITCH, POOL HEATER PRESSURE				ALL
—	TST2403	THERMOSTAT BOARD				CS
—	TST2404	POTENTIOMETER				CS
—	TST3015	SENSOR				CS
—	HLC2702	MANUAL RESET HIGH LIMIT				ALL
—	HLC2510	200° FIXED HIGH LIMIT				CS
—	HLC2503	100° FIXED HIGH LIMIT				CS
HEAT EXCHANGERS						
20	GKT2418	GASKET, HEAT SHIELD				ALL
21	HEX3420	HEAT EXCHANGER (CW/CS BEFORE SERIAL # F00 AND ALL CB)				CW/CS/CB 985
21	HEX3421	HEAT EXCHANGER (CW/CS BEFORE SERIAL # F00 AND ALL CB)				CW/CS/CB 1255
21	HEX3422	HEAT EXCHANGER (CW/CS BEFORE SERIAL # F00 AND ALL CB)				CW/CS/CB 1435
21	HEX3423	HEAT EXCHANGER (CW/CS BEFORE SERIAL # F00 AND ALL CB)				CW/CS/CB 1795
21	HEX3424	HEAT EXCHANGER (CW/CS BEFORE SERIAL # F00 AND ALL CB)				CW/CS/CB 2065
21	HEX3000	HEAT EXCHANGER (CW/CS AFTER SERIAL # F00)				CW/CS 985
21	HEX3001	HEAT EXCHANGER (CW/CS AFTER SERIAL # F00)				CW/CS 1255
21	HEX3002	HEAT EXCHANGER (CW/CS AFTER SERIAL # F00)				CW/CS 1435
21	HEX3003	HEAT EXCHANGER (CW/CS AFTER SERIAL # F00)				CW/CS 1795
21	HEX3004	HEAT EXCHANGER (CW/CS AFTER SERIAL # F00)				CW/CS 2065
22	JKE2004	V-BAFFLE, 9 PER UNIT				985
22	JKE2005	V-BAFFLE, 9 PER UNIT				1255
22	JKE2006	V-BAFFLE, 9 PER UNIT				1435
22	JKE2007	V-BAFFLE, 9 PER UNIT				1795
22	JKE2008	V-BAFFLE, 9 PER UNIT				2065
PLEASE HAVE MODEL AND SERIAL NUMBER WHEN ORDERING PARTS						

ITEM NO.	PART NO.	DESCRIPTION	MODEL NO.
MISCELLANEOUS			
38	JKE6159	FRAME RUNNER 2 PER UNIT	985
38	JKE6160	FRAME RUNNER 2 PER UNIT	1255
38	JKE6161	FRAME RUNNER 2 PER UNIT	1435
38	JKE6162	FRAME RUNNER 2 PER UNIT	1795
38	JKE6163	FRAME RUNNER 2 PER UNIT	2065
37	JKD6187	FRAME END 2 PER UNIT	ALL
23	FAN2712	FAN ASSEMBLY	ALL
—	MSC2424	LIGHT, AMBER 28V	ALL
—	MSC2023	LIGHT, AMBER 120V, TRIAL (BEGINNING SERIAL NUMBER G967041)	ALL
24	MSC2026	LIGHT, RED 24V	ALL
25	MSC2028	LIGHT, GREEN 24V	ALL
26	MSC2426	SWITCH, ROCKER	ALL
27	MSC3415	SIGHT GLASS & GASKET	ALL
28	RLV2001	RELIEF VALVE, PRESSURE ONLY	CB
28	RLV2017	RELIEF VALVE, TEMPERATURE & PRESSURE	ALL CW/CS
29	ARM3024PBF	PUMP (BEFORE SERIAL # L01)	CW
29	ARM3024PAB	PUMP (AFTER SERIAL # L01 STANDARD)	CW
29	ARM3024PABTE	PUMP	CS
30	TST2301	WELL, THERMOSTAT	ALL
LOCH-HEAT® TILE			
31	FIB2441	LOCH-HEAT® TILE, TOP RIGHT SIDE	985
31	FIB2442	LOCH-HEAT® TILE, TOP LEFT SIDE	985
31	FIB2443	LOCH-HEAT® TILE, TOP RIGHT SIDE	1255-1435
31	FIB2444	LOCH-HEAT® TILE, TOP LEFT SIDE	1255
31	FIB2445	LOCH-HEAT® TILE, TOP LEFT SIDE	1435
31	FIB2446	LOCH-HEAT® TILE, TOP RIGHT SIDE	1795-2065
31	FIB2447	LOCH-HEAT® TILE, TOP MIDDLE	1795-2065
31	FIB2448	LOCH-HEAT® TILE, TOP LEFT SIDE	1795
31	FIB2449	LOCH-HEAT® TILE, TOP LEFT SIDE	2065
32	FIB2471	LOCH-HEAT® TILE, BOTTOM	985
32	FIB2450	LOCH-HEAT® TILE, BOTTOM RIGHT	1435-2065
32	FIB2451	LOCH-HEAT® TILE, BOTTOM	1255
32	FIB2452	LOCH-HEAT® TILE, BOTTOM LEFT	1435
32	FIB2453	LOCH-HEAT® TILE, BOTTOM LEFT	1795
32	FIB2454	LOCH-HEAT® TILE, BOTTOM LEFT	2065
33	FIB2472	LOCH-HEAT® TILE, BACK	985
33	FIB2455	LOCH-HEAT® TILE, BACK RIGHT	1435-2065
33	FIB2456	LOCH-HEAT® TILE, BACK	1255
33	FIB2457	LOCH-HEAT® TILE, BACK LEFT	1435
33	FIB2458	LOCH-HEAT® TILE, BACK LEFT	1795
33	FIB2459	LOCH-HEAT® TILE, BACK LEFT	2065
34	FIB2460	LOCH-HEAT® TILE, FRONT DOOR	985
34	FIB2461	LOCH-HEAT® TILE, FRONT DOOR	1255
34	FIB2462	LOCH-HEAT® TILE, FRONT DOOR RIGHT	1435
34	FIB2469	LOCH-HEAT® TILE, FRONT DOOR LEFT	1435
34	FIB2463	LOCH-HEAT® TILE, FRONT DOOR RIGHT	1795
34	FIB2470	LOCH-HEAT® TILE, FRONT DOOR LEFT	1795
34	FIB2464	LOCH-HEAT® TILE, FRONT DOOR RIGHT	2065
34	FIB2465	LOCH-HEAT® TILE, FRONT DOOR LEFT	2065
35	FIB2466	LOCH-HEAT® TILE, FRONT HEAD SIDE	ALL
36	FIB2467	LOCH-HEAT® TILE, REAR HEAD SIDE	ALL
—	FIB2468	LOCH-HEAT® TILE, REAR HEAD SPACER STRIP	ALL
OPTIONAL			
—	GAC2032	GAS COCK 2	ALL
—	PAN3201	OPTION BOX A: LOUVER RELAY W/PUMP DELAY	ALL
—	PAN3202	OPTION BOX B: MR-LWCO, LOUVER W/PUMP DELAY	ALL
—	PAN3203	OPTION BOX C: MR-LWCO, LOUVER W/PUMP DELAY, ALARM ANY FAILURE	ALL
PLEASE HAVE MODEL AND SERIAL NUMBER WHEN ORDERING PARTS			