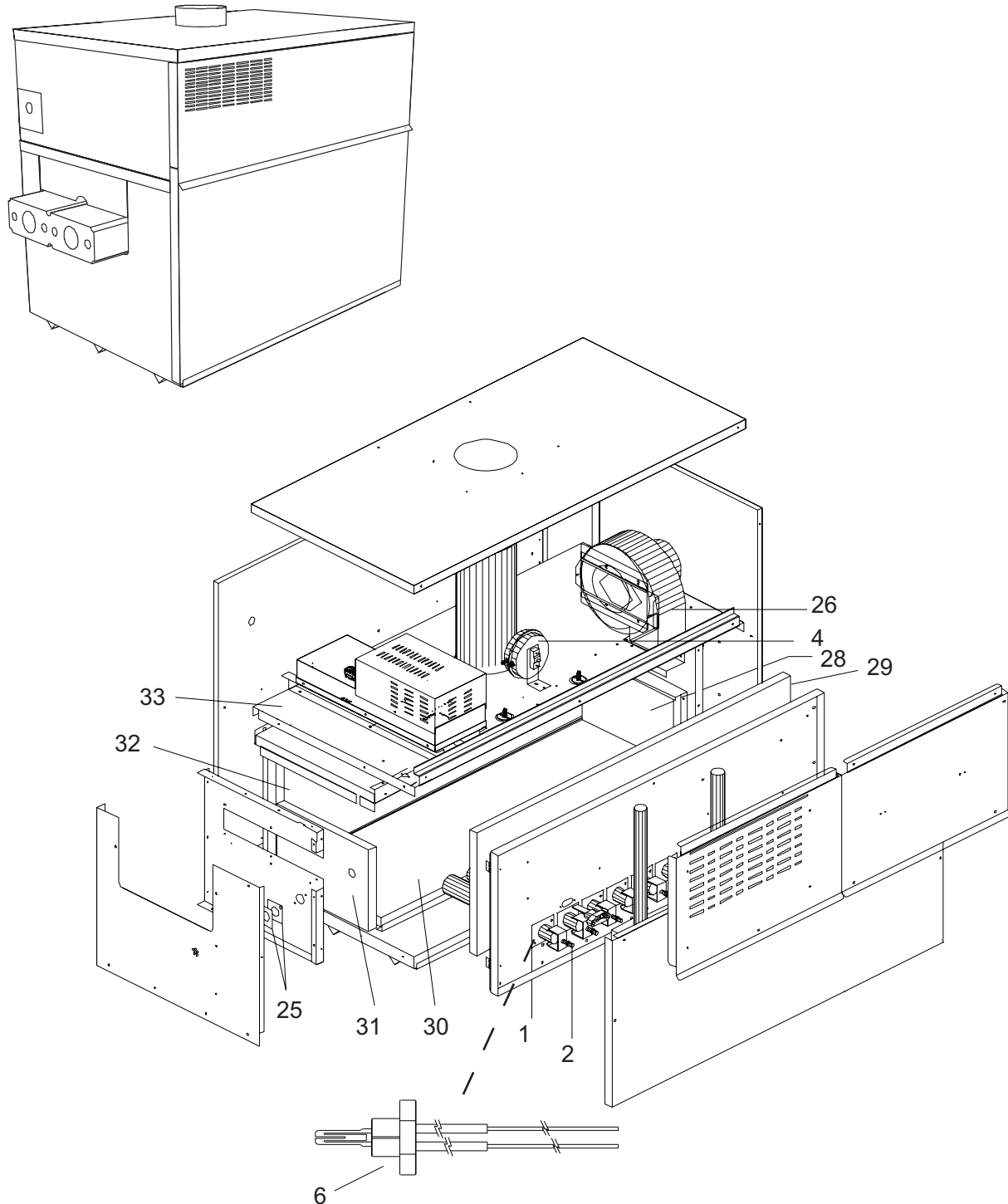




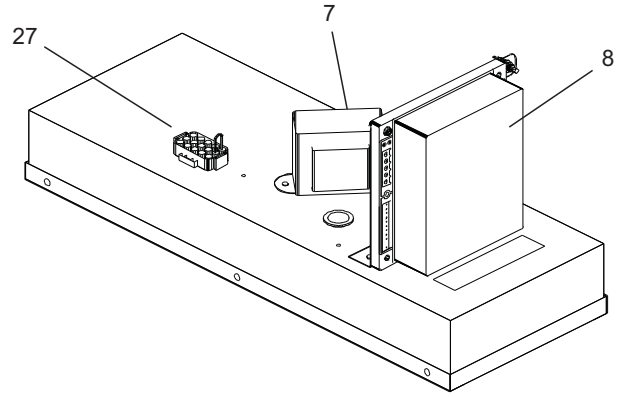
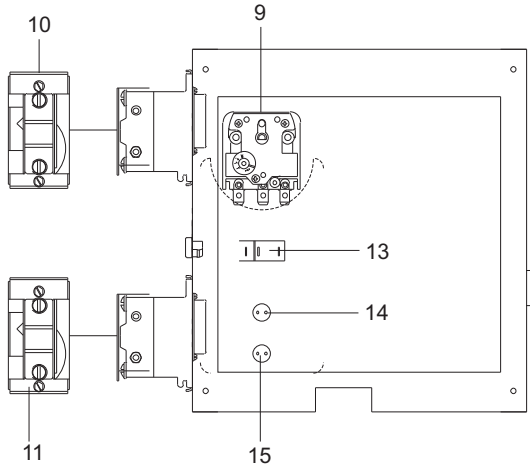
Replacement Parts List

PARTS & SERVICE DEPARTMENT
 Nashville, Tennessee
 615-889-8900 • Fax: 615-882-2918
 parts_team@lochinvar.com
 www.lochinvar.com

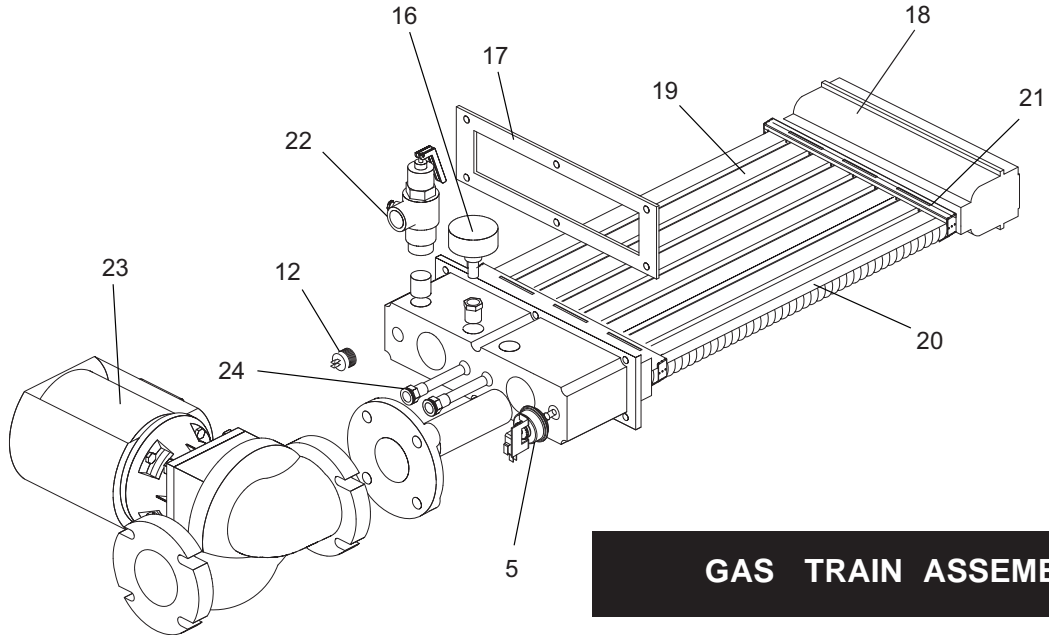
Copper-Fin®
Boilers — Water Heaters &
Pool Heaters
CB—CW—CS 495 -745
Prior to Serial #G04H00166418



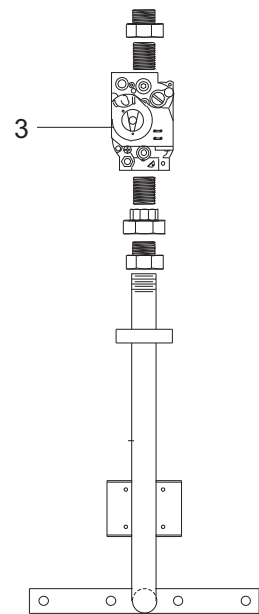
CONTROL PANEL



HEAT EXCHANGER ASSEMBLY



GAS TRAIN ASSEMBLY



ITEM NO.	PART NO.	DESCRIPTION	MODEL NO.
BURNERS			
1		Model	BNR2400 BNR3400 BNR2401 (LP ONLY)
BNR2400 Main burner		495 NAT	9 ea 1ea
		495 LP	8 ea 1ea 1ea
BNR3400 Main Burner w/ Barb Pressure Tap.		645 NAT	12 ea 1ea
		645 LP	11 ea 1ea 1ea
BNR2401 Main Burner LP only* *Located under the Hot Surface Ignitor.		745 NAT	14 ea 1ea
		745 LP	13 ea 1ea 1ea
GAS TRAIN ASSEMBLIES			
2	ORF2401	ORIFICE, NAT.	ALL
2	ORF2402	ORIFICE, LPG.	ALL
3	VAL3403	GAS VALVE, NAT	ALL
3	VAL3404	GAS VALVE, LPG	ALL
CONTROLS & GAUGES			
4	PRS30023	LOW AIR PRESSURE SWITCH	ALL
5	PRS2406	WATER PRESSURE SWITCH	CS
6	PLT3400	HOT SURFACE IGNITOR	ALL
7	TRF2005	TRANSFORMER 75 VA	ALL
8	RLY3428	IGNITION MODULE	ALL
9	TST2701	THERMOSTAT, OPERATOR	ALL
10	TST2900	THERMOSTAT, HIGH LIMIT	CB/CS
10	TST30010	THERMOSTAT HIGH LIMIT	CW
11	TST30009	THERMOSTAT LIMIT	CW
-	TST2403	THERMOSTAT CONTROL BOARD	CS
-	TST2404	POTENTIOMETER	CS
-	TST3015	TEMPERATURE SENSOR	CS
12	HLC2510	HIGH LIMIT 200°	CS
-	HLC2503	HIGH LIMIT 110°	CS
-	TST20027	THERMOSTAT, OPERATOR - HIGH LIMIT (BYPASS LOOP) PRIOR TO L974110	CS
13	MSC2426	ROCKER SWITCH	ALL
-	MSC2023	TRIAL LIGHT, AMBER 120V (BEGINNING SERIAL # G96741)	ALL
-	MSC2424	LOW AIR LIGHT, AMBER 28V	ALL
14	MSC2028	HEATING LIGHT, GREEN	ALL
15	MSC2026	FLAME FAILURE LIGHT, RED 24V	ALL
16	GTP2900	TEMPERATURE AND PRESSURE GAUGE	CB
16	GTP3000	TEMPERATURE GAUGE 2"	CW/CS
HEAT EXCHANGERS			
17	GKT2400	GASKET HEAT SHIELD	ALL
18	HEX3402	HEAT EXCHANGER (CW/CS-BEFORE SERIAL #F00 & ALL CB)	CB/CW/CS 495
18	HEX3403	HEAT EXCHANGER (CW/CS-BEFORE SERIAL #F00 & ALL CB)	CB/CW/CS 645
18	HEX3404	HEAT EXCHANGER (CW/CS-BEFORE SERIAL #F00 & ALL CB)	CB/CW/CS 745
18	HEX3012	HEAT EXCHANGER (AFTER SERIAL # F00)	CW/CS 495
18	HEX3013	HEAT EXCHANGER (AFTER SERIAL # F00)	CW/CS 645
18	HEX3014	HEAT EXCHANGER (AFTER SERIAL # F00)	CW/CS 745
19	JKD2252	V-BAFFLE	495
19	JKD2253	V-BAFFLE	645
19	JKD2254	V-BAFFLE	745
20	JKD6450	FRAME RUNNER V-BAFFLE	495
20	JKD6451	FRAME RUNNER V-BAFFLE	645
20	JKD6452	FRAME RUNNER V-BAFFLE	745
21	JKD6186	FRAME END	ALL
22	RLV2017	RELIEF VALVE, TEMPERATURE AND PRESSURE	CW/CS
22	RLV2001	RELIEF VALVE, PRESSURE ONLY	ALL CB
PUMPS			
23	ARM3044PBF	PUMP (BEFORE SERIAL # L01)	CW
23	ARM3044PAB	PUMP (AFTER SERIAL # L01)	CW
23	ARM3044PABTE	PUMP	CS

PLEASE HAVE MODEL AND SERIAL NUMBER WHEN ORDERING PARTS. NOTE: CB = Boiler CW = Water Heater

ITEM NO.	PART NO.	DESCRIPTION	MODEL NO.
Miscellaneous			
24	TST2301	THERMOSTAT WELL	ALL
25	MSC3415	SIGHT GLASS KIT	ALL
26	FAN2714	FAN	ALL
27	WRE2407	JUMPER PLUG	ALL
--	RLY2041	PUMP DELAY RELAY (AFTER SERIAL # L01)	CW
--	WRE2498	PUMP DELAY WIRE HARNESS (AFTER SERIAL # L01)	CW
LOCH-HEAT TILE			
28	FIB2421	LOCH-HEAT TILE, REAR HEAD SIDE	ALL
29	FIB2407	LOCH-HEAT TILE, FRONT DOOR	495
29	FIB2408	LOCH-HEAT TILE, FRONT DOOR	645
29	FIB2409	LOCH-HEAT TILE, FRONT DOOR	745
30	FIB2417	LOCH-HEAT TILE, BOTTOM	495
30	FIB2418	LOCH-HEAT TILE, BOTTOM	645
30	FIB2419	LOCH-HEAT TILE, BOTTOM	745
31	FIB2420	LOCH-HEAT TILE, FRONT HEAD SIDE	ALL
32	FIB2402	LOCH-HEAT TILE, REAR	495
32	FIB2403	LOCH-HEAT TILE, REAR	645
32	FIB2404	LOCH-HEAT TILE, REAR	745
33	FIB2510	LOCH-HEAT TILE, TOP	495
33	FIB2511	LOCH-HEAT TILE, TOP	645
33	FIB2512	LOCH-HEAT TILE, TOP	745
OPTIONAL			
--	HLC2702	MANUAL RESET HIGH LIMIT	ALL
--	PAN3201	OPTION BOX A: LOUVER RELAY w/PUMP DELAY	ALL
--	PAN3202	OPTION BOX B: MR-LWCO, LVR w/PUMP DELAY	ALL
--	PAN3203	OPTION BOX C: MR-LWCO, LVR w/PUMP DELAY, ALARM ANY FAILURE	ALL

Please have model and serial number when ordering parts. NOTE: CB = Boiler CW = Water Heater CS = Pool Heater