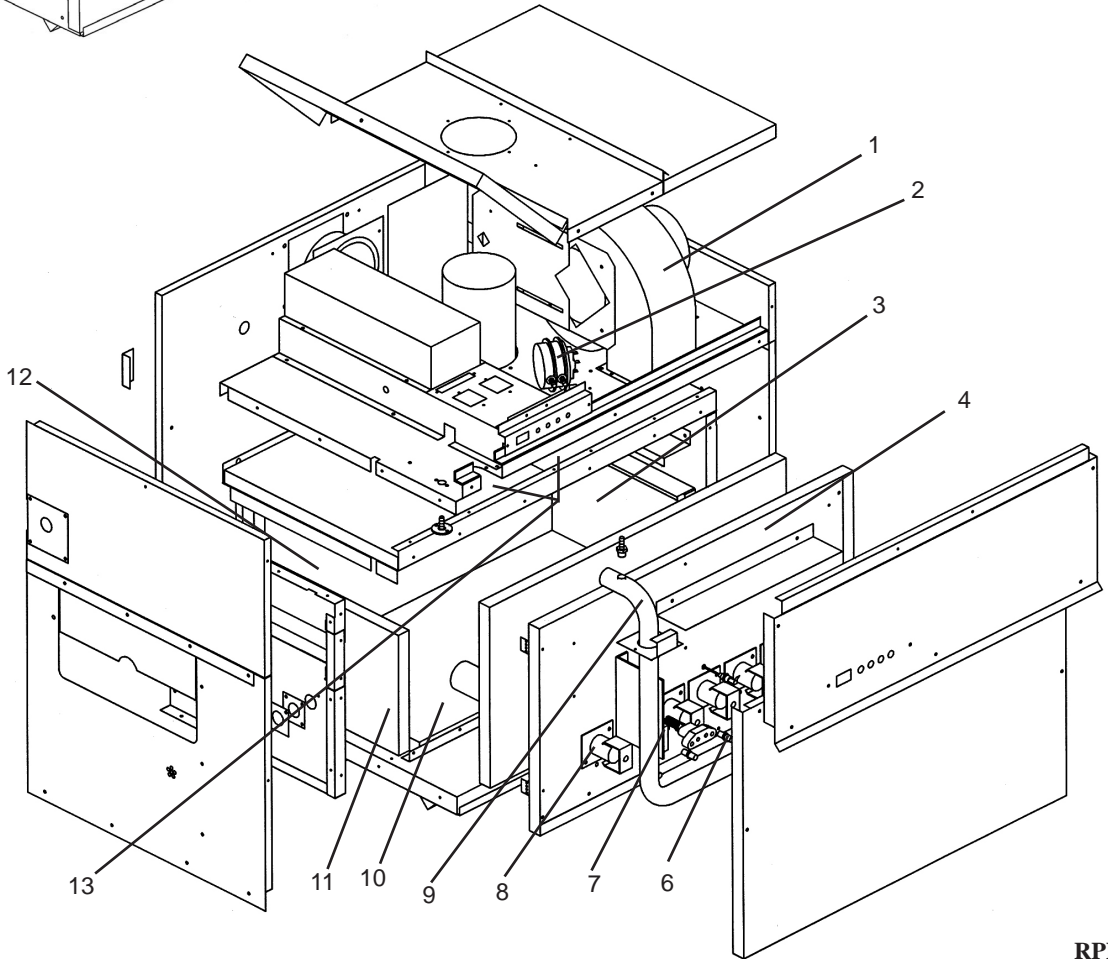
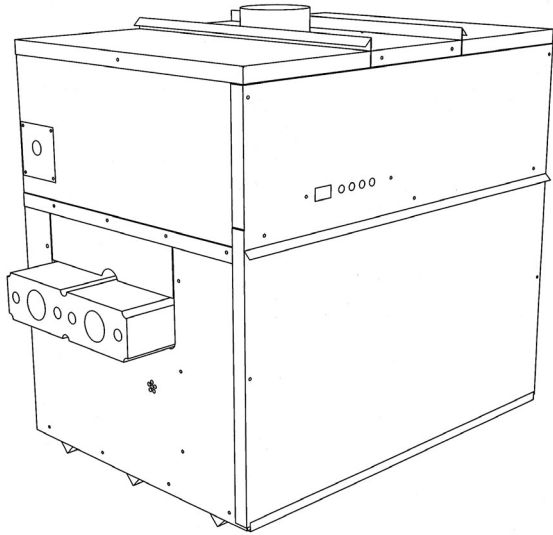




PARTS & SERVICE DEPARTMENT
Lebanon, Tennessee
615- 889-8900 • Fax: 615-547-1000
www.Lochinvar.com

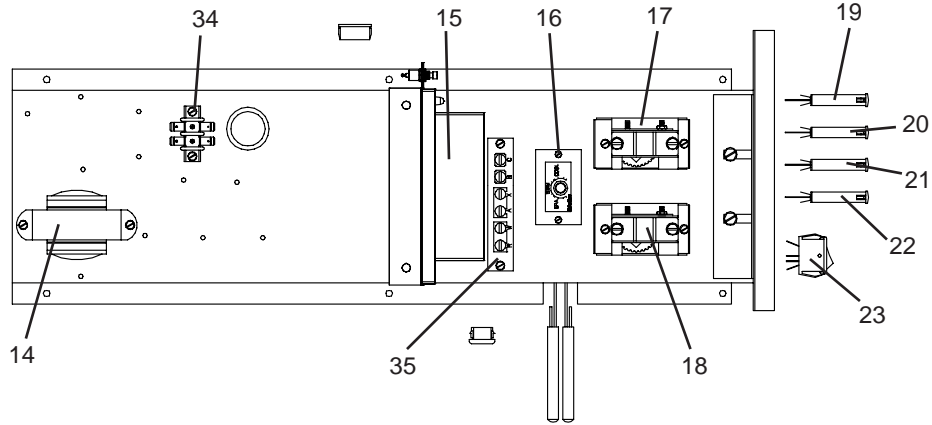
Replacement Parts List

COPPER-FIN II®
Boilers/Water Heaters/Pool Heaters
CH/CF/CP 300-750

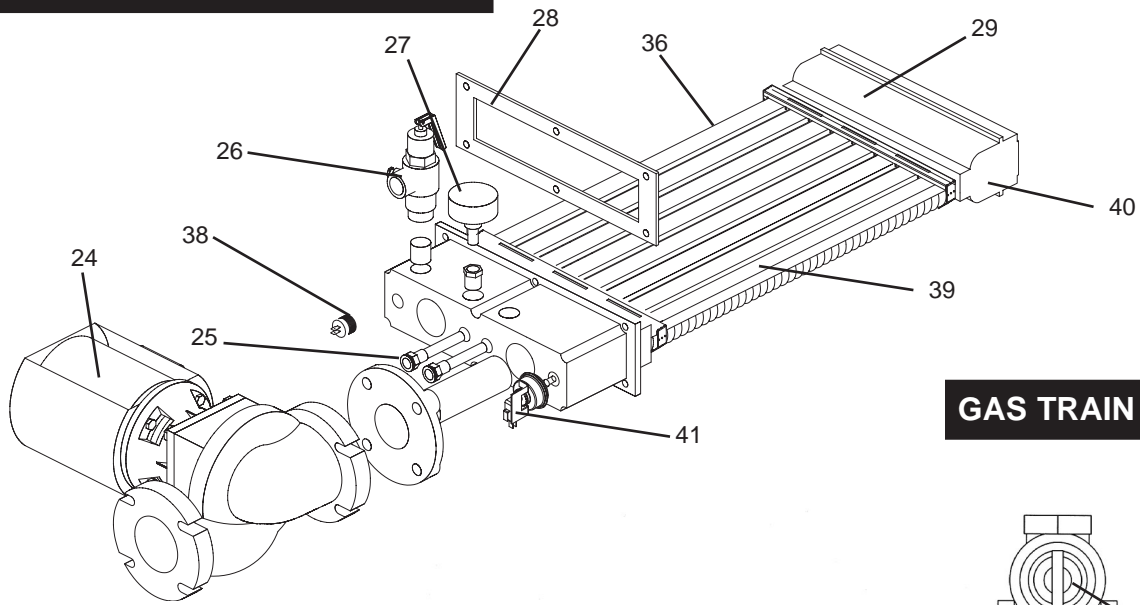


RPL7001

CONTROL PANEL

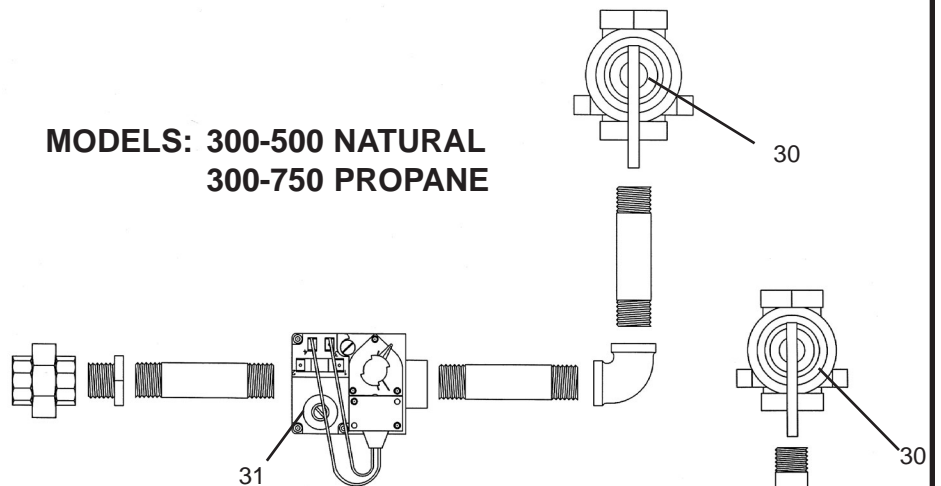


HEAT EXCHANGER ASSEMBLY

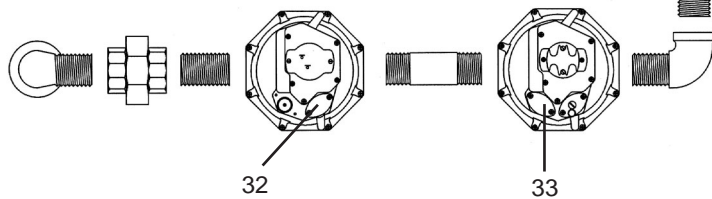


GAS TRAIN ASSEMBLIES

**MODELS: 300-500 NATURAL
300-750 PROPANE**



MODELS: 650 & 750 NATURAL



ITEM NO.	PART NO.	DESCRIPTION	MODEL NO.
GAS TRAIN ASSEMBLIES			
6	ORF2401	ORIFICE, NAT.	ALL
6	ORF2402	ORIFICE, LPG.	ALL
8	ALL:	BNR2400:	BNR3400:
			BNR2401:
	300NAT.	5ea.	1ea.
	300LPG.	4ea.	1ea.
	400NAT.	7ea.	1ea.
	400LPG.	6ea.	1ea.
	500NAT.	9ea.	1ea.
	500LPG.	8ea.	1ea.
	650NAT.	12ea.	1ea.
	650LPG.	11ea.	1ea.
	750NAT.	14ea.	1ea.
	750LPG.	13ea.	1ea.
<p>BNR2400 MAIN BURNER BNR3400 MAIN BURNER W/PRESSURE TAP BNR2401 MAIN BURNER LOCATED UNDER HOT SURFACE IGNITOR ON LPG. ONLY</p>			
9	MAN2400	BURNER MANIFOLD	300
9	MAN2401	BURNER MANIFOLD	400
9	MAN2402	BURNER MANIFOLD	500
9	MAN2403	BURNER MANIFOLD	650
9	MAN2404	BURNER MANIFOLD	750
31	VAL2400	VALVE, GAS NAT.	300
31	VAL2915	VALVE, GAS NAT.	400 & 500
31	VAL2401	VALVE, GAS LPG.	300-500
31	VAL2916	VALVE, GAS LPG.	650 & 750
32	VAL2102	VALVE, GAS NAT.	650 & 750
33	VAL2108	VALVE, GAS NAT.	650 & 750
CONTROLS & GAUGES			
2	PRS2401	SWITCH, LOW AIR PRESSURE	ALL
7	PLT3400	HOT SURFACE IGNITOR	ALL
14	TRF2004	TRANSFORMER 50VA	ALL
15	RLY3428	IGNITION MODULE	ALL
16	TST2407	THERMOSTAT, OPERATOR	ALL CF
17	TST3911	THERMOSTAT, HI LIMIT	ALL
17	TST3910	THERMOSTAT, HI LIMIT	ALL CP
18	TST2902	THERMOSTAT, OPERATOR	ALL CH & CP
18	TST3910	THERMOSTAT, LIMIT	ALL CF
18	TST3921	THERMOSTAT, LIMIT	ALL CP
27	GTP2900	TEMPERATURE & PRESSURE GAUGE	ALL CH
27	GTP3000	TEMPERATURE GAUGE 2"	ALL CF & CP
34	MSC2910	TERMINAL STRIP, 2 POLE	ALL
35	MSC2420	TERMINAL STRIP, 6 POLE	ALL
--	TST2403	THERMOSTAT BOARD (NOT PICTURED)	ALL CP
--	TST2404	POTENTIOMETER (NOT PICTURED)	ALL CP
--	TST2405	WATER SENSOR (NOT PICTURED)	ALL CP
41	PRS2406	SWITCH, POOL HEATER PRESSURE	ALL CP
HEAT EXCHANGERS (ALL HEAT EXCHANGERS COMPLETE WITH V-BAFFLES)			
29	HEX3400	HEAT EXCHANGER (CF/CP Before Serial # F00 & all CH)	CH/CF/CP 300
29	HEX3401	HEAT EXCHANGER (CF/CP Before Serial # F00 & all CH)	CH/CF/CP 400
29	HEX3402	HEAT EXCHANGER (CF/CP Before Serial # F00 & all CH)	CH/CF/CP500
29	HEX3403	HEAT EXCHANGER (CF/CP Before Serial # F00 & all CH)	CH/CF/CP 650
29	HEX3404	HEAT EXCHANGER (CF/CP Before Serial # F00 & all CH)	CH/CF/CP 750
29	HEX3010	HEAT EXCHANGER (After Serial # F00)	CF/CP 300
29	HEX3011	HEAT EXCHANGER (After Serial # F00)	CF/CP 400
29	HEX3012	HEAT EXCHANGER (After Serial # F00)	CF/CP 500
29	HEX3013	HEAT EXCHANGER (After Serial # F00)	CF/CP 650
29	HEX3014	HEAT EXCHANGER (After Serial # F00)	CF/CP 750
MISCELLANEOUS			
1	FAN2714	FAN	ALL
19	MSC2424	LIGHT, AMBER 28V LOW AIR	ALL
20	MSC2425	LIGHT, AMBER 125V TRIAL FOR IGNITION	ALL

NOTE: CH = BOILER, CF = WATER HEATER & CP = POOL HEATER

ITEM NO.	PART NO.	DESCRIPTION	MODEL NO.
MISCELLANEOUS			
21	MSC2423	LIGHT, GREEN 28V BURNER ON	ALL
22	MSC2422	LIGHT, RED 28V FLAME FAILURE	ALL
23	MSC2426	SWITCH, ROCKER	ALL
24	ARM3044PBF	PUMP	ALL CF
24	ARM3044PABTE	PUMP	ALL CP
25	TST2301	WELL, THERMOSTAT	ALL
26	RLV2006	RELIEF VALVE, TEMPERATURE & PRESSURE	CF/CP 300 & 400
26	RLV2007	RELIEF VALVE, TEMPERATURE & PRESSURE	CF/CP 500-750
26	RLV2001	RELIEF VALVE, PRESSURE ONLY	ALL CH
28	GKT2400	GASKET, HEAT SHIELD	ALL
36	JKD2250	V-BAFFLE 5 PER UNIT	300
36	JKD2251	V-BAFFLE 5 PER UNIT	400
36	JKD2252	V-BAFFLE 5 PER UNIT	500
36	JKD2253	V-BAFFLE 5 PER UNIT	650
36	JKD2254	V-BAFFLE 5 PER UNIT	750
39	JKD6448	FRAME RUNNER 2 PER UNIT	300
39	JKD6449	FRAME RUNNER 2 PER UNIT	400
39	JKD6450	FRAME RUNNER 2 PER UNIT	500
39	JKD6451	FRAME RUNNER 2 PER UNIT	650
39	JKD6452	FRAME RUNNER 2 PER UNIT	750
40	JKD6186	FRAME END 2 PER UNIT	ALL
37	MSC3415	SIGHT GLASS, KIT	ALL
38	HLC2501	200° HIGH LIMIT	CP
--	HLC2503	100° HIGH LIMIT	CP
LOCH-HEAT® TILE			
3	FIB2421	LOCH-HEAT® TILE, REAR HEAD SIDE	ALL
4	FIB2405	LOCH-HEAT® TILE, FRONT DOOR	300
4	FIB2406	LOCH-HEAT® TILE, FRONT DOOR	400
4	FIB2407	LOCH-HEAT® TILE, FRONT DOOR	500
4	FIB2408	LOCH-HEAT® TILE, FRONT DOOR	650
4	FIB2409	LOCH-HEAT® TILE, FRONT DOOR	750
10	FIB2415	LOCH-HEAT® TILE, BOTTOM	300
10	FIB2416	LOCH-HEAT® TILE, BOTTOM	400
10	FIB2417	LOCH-HEAT® TILE, BOTTOM	500
10	FIB2418	LOCH-HEAT® TILE, BOTTOM	650
10	FIB2419	LOCH-HEAT® TILE, BOTTOM	750
11	FIB2420	LOCH-HEAT® TILE, FRONT HEAD SIDE	ALL
12	FIB2400	LOCH-HEAT® TILE, REAR	300
12	FIB2401	LOCH-HEAT® TILE, REAR	400
12	FIB2402	LOCH-HEAT® TILE, REAR	500
12	FIB2403	LOCH-HEAT® TILE, REAR	650
12	FIB2404	LOCH-HEAT® TILE, REAR	750
13	FIB2410	LOCH-HEAT® TILE, TOP (2 REQUIRED)	300
13	FIB2411	LOCH-HEAT® TILE, TOP (2 REQUIRED)	400
13	FIB2412	LOCH-HEAT® TILE, TOP (2 REQUIRED)	500
13	FIB2413	LOCH-HEAT® TILE, TOP (2 REQUIRED)	650
13	FIB2414	LOCH-HEAT® TILE, TOP (2 REQUIRED)	750
OPTIONAL			
30	GAC2028	GAS COCK 3/4"	300
30	GAC2029	GAS COCK 1"	400 & 500
30	GAC2030	GAS COCK 1 1/4"	650 & 750
--	TST2015	THERMOSTAT, HIGH LIMIT MANUAL RESET	--
--	PRS2402	CONTROL KIT (CK-50) [Horizontal Direct Air]	--
--	PRS2425	SWITCH, PROVING ONLY (FOR PRS2402 CONTROL KIT)	--
--	CFK3300	COMBUSTIBLE FLOOR KIT	300
--	CFK3301	COMBUSTIBLE FLOOR KIT	400
--	CFK3302	COMBUSTIBLE FLOOR KIT	500
--	CFK3303	COMBUSTIBLE FLOOR KIT	650
--	CFK3304	COMBUSTIBLE FLOOR KIT	750

PLEASE HAVE MODEL NUMBER AND SERIAL NUMBER WHEN ORDERING PARTS
NOTE: CH = BOILER, CF = WATER HEATER & CP = POOL HEATER