



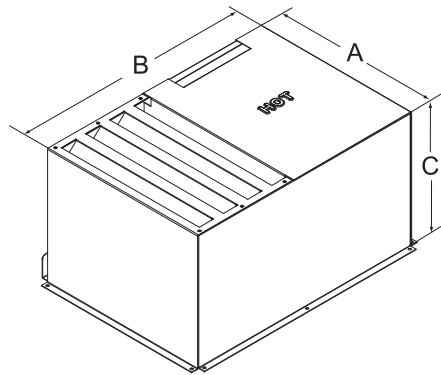
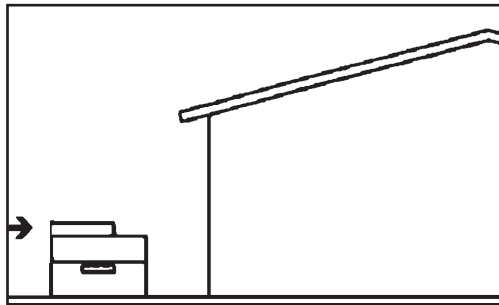
**COPPER-FIN®
VENTING OPTIONS
Submittal Sheet**

CFVO-Sub-03

COPPER-FIN® Venting Options (0497 - 2067)

JOB NAME _____ **LOCATION** _____
ENGINEER _____ **MODEL NO.** _____
MECH. CONTRACTOR _____

OUTDOOR VENTING



Models 0497-2067

Lochinvar supplies the Outdoor Vent Cap with sealing gaskets to mount directly on the unit. The cap properly vents flue products out of the unit. Also included is an air inlet rain deflector.

OUTDOOR KIT	MODEL	A	B	C
ODK3014/ 3023*	0497	8"	13-1/2"	9-1/2"
ODK3015/ 3024*	0647-0747	8"	13-1/2"	9-1/2"
ODK3036/ 3049*	0987	12"	22"	15-1/2"
ODK3064/ 3065*	1257	12"	22"	17-1/2"
ODK3037/ 3050*	1437	12"	22"	17-1/2"
ODK30002/ 30001*	1797-2067	12"	27-3/4"	18

* Outdoor Kits 3023, 3024, 3049, 3065, 3050, 30001 include pump cover needed for water heaters.



Lochinvar, LLC • 300 Maddox Simpson Pkwy • Lebanon, TN 37090 • 615-889-8900/Fax: 615-547-1000
www.Lochinvar.com