

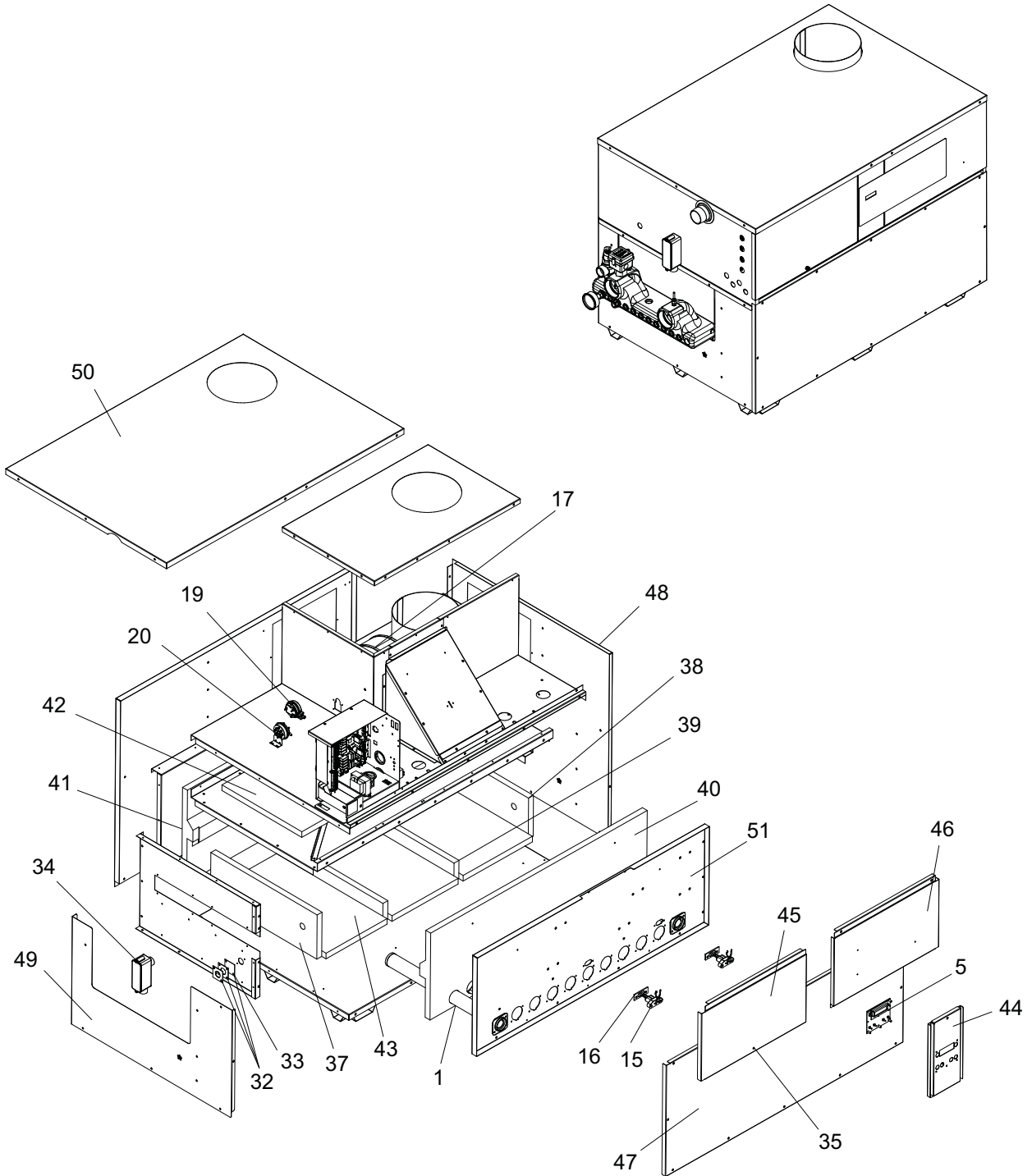


Lochinvar[®]
HIGH EFFICIENCY BOILERS & WATER HEATERS

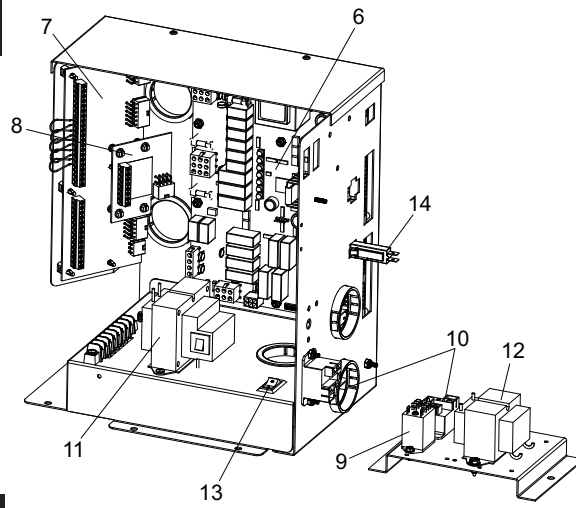
PARTS & SERVICE DEPARTMENT
Nashville, Tennessee
615-889-8900 • Fax: 615-882-2918
parts_team@lochinvar.com
www.Lochinvar.com

Replacement Parts List

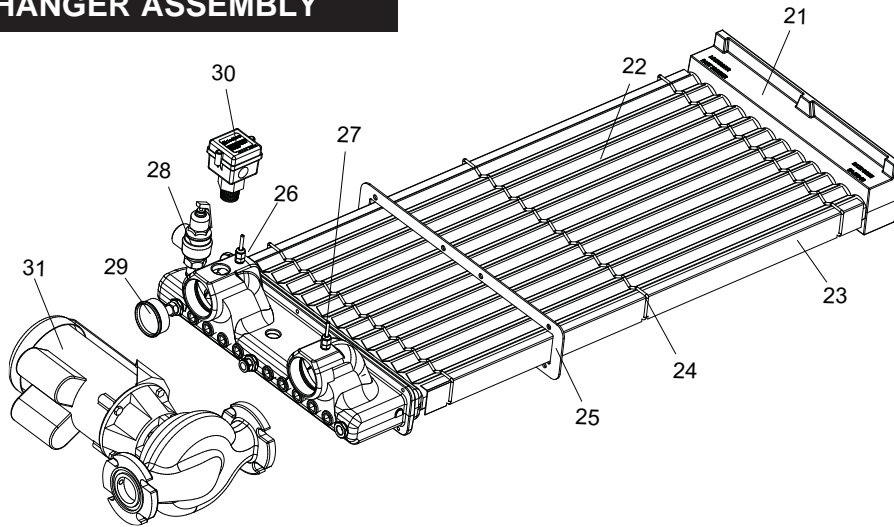
Copper-Fin II[®]
Boilers — Water Heaters
CH — CF 992 -2072



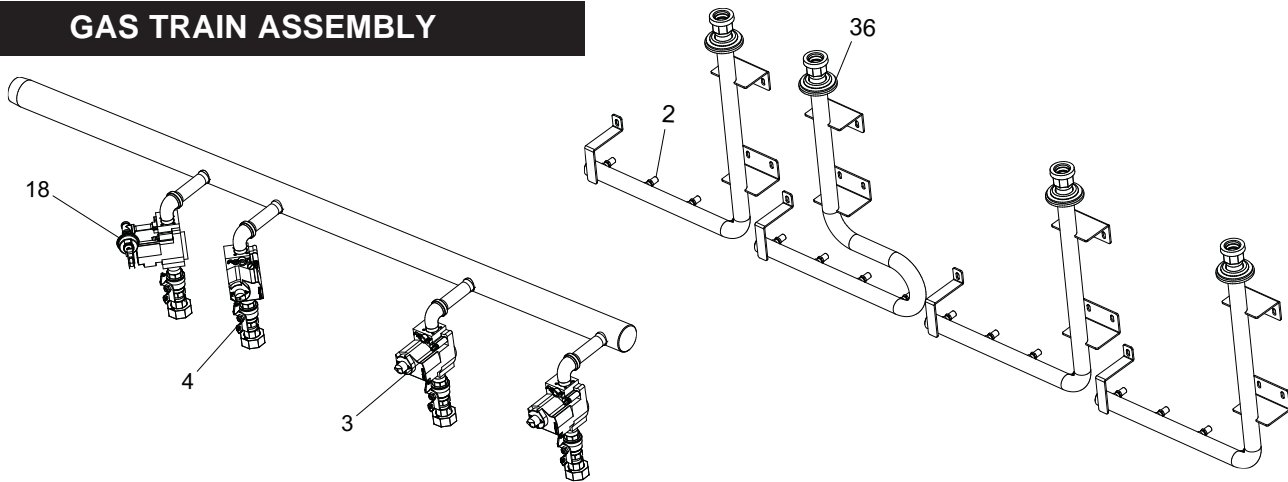
CONTROL PANEL ASSEMBLY



HEAT EXCHANGER ASSEMBLY



GAS TRAIN ASSEMBLY



ITEM NO.	PART NO.	DESCRIPTION	MODEL NO.
BURNERS			
1	Model	100135304	100135312
	992	10 ea	1 ea
100135304 is Main Burner	1262	13 ea	1 ea
100135312 is Main Burner w/ compression fitting.	1442	15 ea	1 ea
	1802	19 ea	1 ea
	2072	22 ea	1 ea
GAS TRAIN ASSEMBLIES			
2	100208343	ORIFICE, NAT	ALL
2	100208342	ORIFICE, LP	ALL
3	100208604	GAS VALVE, NAT	ALL
3	100208608	GAS VALVE, LP	ALL
4	100171800	BALL VALVE	CH

PLEASE HAVE MODEL AND SERIAL NUMBER WHEN ORDERING PARTS

ITEM NO.	PART NO.	DESCRIPTION	MODEL NO.
CONTROLS & GAUGES			
5	100208468	USER INTERFACE CONTROL	ALL
6	100208469	BOARD, MAIN CONTROL	ALL
7	100208475	BOARD, CONNECTOR	ALL
8	100167583	BOARD, SENSOR	CH
9	100208490	RELAY, DPDT	ALL
10	100208509	RELAY, 120VAC, 60HZ, 10.8AMP	ALL
11	100208246	TRANSFORMER, 24V, 60VA	ALL
12	100208246	TRANSFORMER, 24V, 60VA	992
12	100208251	TRANSFORMER, 120V TO 24V, 75VA	1262 & 1442
12	100170188	TRANSFORMER, 120V, 50/60 HZ	1802 & 2072
13	100208242	SWITCH, ON / OFF	ALL
14	100163042	CIRCUIT BREAKER, 5 AMP	1802 & 2072
15	100165937	HOT SURFACE IGNITOR	ALL
16	100208087	GASKET, IGNITOR	ALL
17	100233485	FAN ASSEMBLY	992 - 1442
17	100144904	FAN ASSEMBLY	1802 & 2072
18	100208389	PRESSURE SWITCH, GAS, NAT ONLY	ALL
19	100166117	PRESSURE SWITCH	992
19	100166118	PRESSURE SWITCH	1262
19	100166119	PRESSURE SWITCH	1442
19	100166120	PRESSURE SWITCH	1802
19	100166121	PRESSURE SWITCH	2072
20	100208384	PRESSURE SWITCH	ALL
HEAT EXCHANGERS			
21	100147311	HEAT EXCHANGER, HLW	CF992
21	100147313	HEAT EXCHANGER, HLW	CF1262
21	100147314	HEAT EXCHANGER, HLW	CF1442
21	100147315	HEAT EXCHANGER, HLW	CF1802
21	100147316	HEAT EXCHANGER, HLW	CF2072
21	100147317	HEAT EXCHANGER, H	CH992
21	100147318	HEAT EXCHANGER, H	CH1262
21	100147319	HEAT EXCHANGER, H	CH1442
21	100147320	HEAT EXCHANGER, H	CH1802
21	100147321	HEAT EXCHANGER, H	CH2072
22	100152280	V-BAFFLE (11 REQ.)	992
22	100152281	V-BAFFLE (11 REQ.)	1262
22	100152282	V-BAFFLE (11 REQ.)	1442
22	100152283	V-BAFFLE (11 REQ.)	1802
22	100152284	V-BAFFLE (11 REQ.)	2072
23	100152598	FRAME RUNNER (2 REQ.)	992
23	100152599	FRAME RUNNER (2 REQ.)	1262
23	100152600	FRAME RUNNER (2 REQ.)	1442
23	100152601	FRAME RUNNER (2 REQ.)	1802
23	100152602	FRAME RUNNER (2 REQ.)	2072
24	100208313	RETAINER V-BAFFLE (3 REQ.)	ALL
25	100233660	GASKET, FRONT HEADER	ALL
26	100208559	SENSOR, DUAL IMMERSION, OUTLET	ALL
27	100208553	SENSOR, IMMERSION, INLET	ALL
28	100208442	RELIEF VALVE, PRESSURE ONLY	CH
28	100208446	RELIEF VALVE, TEMPERATURE & PRESSURE	CF
29	100208152	GAUGE, TEMPERATURE & PRESSURE	CH
30	100232493	FLOW SWITCH, OUTDOOR	ALL
30	100208653	FLOW SWITCH, INDOOR	ALL
PUMPS			
31	100133601	PUMP FOR COPPER-FIN II CF WATER HEATER	CF
31	100133603	PUMP FOR COPPER-FIN II CH BOILER	CH
MISCELLANEOUS			
32	100163259	SIGHT GLASS AND GASKET KIT	ALL
33	100233729	GASKET, SIGHT GLASS	ALL
34	100162714	CONDUIT COVER	ALL
35	100162999	SCREW, KNURLED HEAD	ALL
36	100208097	GASKET, ESCUTCHEON, 3/4"	ALL
-	100208231	FUSE, 3.15 AMP	ALL
-	100208232	FUSE, 5 AMP	ALL
-	100146455	GASKET, ESCUTCHEON, 2"	ALL
-	100146604	GASKET, STRIP 45"	ALL
-	100208572	TUBING, GRAY, 3/16" X 5/16"	ALL
-	100208573	TUBING, ALUMINUM, 1/8"	ALL
-	100208063	FILTER	ALL
-	100233587	GASKET, BURNER	ALL
-	100146588	GASKET, BLACK PVC, 1/4 X 5/8 X 25'	ALL
-	100170644	KIT, TANK SENSOR	CF

PLEASE HAVE MODEL AND SERIAL NUMBER WHEN ORDERING PARTS
NOTE: CH = BOILER, CF= WATER HEATER

ITEM NO.	PART NO.	DESCRIPTION	MODEL NO.
MISCELLANEOUS CONTINUED			
-	100170645	KIT, SYSTEM SENSOR	CH
-	100162892	TEE, 3/16" HOSE MENDER, NYLON	ALL
-	100208319	CAP, 3/16" TEE FITTING, SILICONE	ALL
-	100208552	SENSOR, SYSTEM/TANK	ALL
-	100233695	BULBWELL	ALL
-	100173747	LOW WATER CUT-OFF, MANUAL RESET, (OPTIONAL)	ALL
-	100173748	LOW WATER CUT-OFF, AUTO RESET, (OPTIONAL)	ALL
-	100208662	LOW WATER CUT-OFF PROBE, (OPTIONAL)	ALL
-	100173640	LOW WATER CUT-OFF BOOT, (OPTIONAL)	ALL
LOCH-HEAT TILE			
37	100145343	LOCH-HEAT TILE, FRONT HEAD SIDE	ALL
38	100145344	LOCH-HEAT TILE, REAR HEAD SIDE	ALL
39	100145346	LOCH-HEAT TILE, DIVIDER	ALL
40	100145351	LOCH-HEAT TILE, FRONT DOOR	992
40	100145352	LOCH-HEAT TILE, FRONT DOOR	1262
40	100145353	LOCH-HEAT TILE, FRONT DOOR LEFT	1442
40	100145354	LOCH-HEAT TILE, FRONT DOOR RIGHT	1442
40	100145401	LOCH-HEAT TILE, FRONT DOOR LEFT	1802
40	100145356	LOCH-HEAT TILE, FRONT DOOR RIGHT	1802
40	100145357	LOCH-HEAT TILE, FRONT DOOR LEFT	2072
40	100145358	LOCH-HEAT TILE, FRONT DOOR RIGHT	2072
41	100145337	LOCH-HEAT TILE, BACK	992
41	100145338	LOCH-HEAT TILE, BACK	1262
41	100145339	LOCH-HEAT TILE, BACK LEFT	1442
41	100145340	LOCH-HEAT TILE, BACK LEFT	1802
41	100145341	LOCH-HEAT TILE, BACK LEFT	2072
41	100145342	LOCH-HEAT TILE, BACK RIGHT	1442 - 2072
42	100145312	INSULATION PAD, TOP	992
42	100145314	INSULATION PAD, TOP	1262
42	100145568	INSULATION PAD, TOP	1442
42	100145316	INSULATION PAD, TOP	1802
42	100145570	INSULATION PAD, TOP	2072
43	100145345	LOCH-HEAT TILE, LEFT BOTTOM	992
43	100145347	LOCH-HEAT TILE, MIDDLE BOTTOM	992
43	100145348	LOCH-HEAT TILE, RIGHT BOTTOM	992
43	100145349	LOCH-HEAT TILE, LEFT BOTTOM	1262
43	100145347	LOCH-HEAT TILE, MIDDLE BOTTOM (2)	1262
43	100145350	LOCH-HEAT TILE, RIGHT BOTTOM	1262
43	100145361	LOCH-HEAT TILE, LEFT BOTTOM	1442
43	100145347	LOCH-HEAT TILE, MIDDLE BOTTOM (2)	1442
43	100145362	LOCH-HEAT TILE, RIGHT BOTTOM	1442
43	100145363	LOCH-HEAT TILE, LEFT BOTTOM	1802
43	100145347	LOCH-HEAT TILE, MIDDLE BOTTOM (3)	1802
43	100145364	LOCH-HEAT TILE, RIGHT BOTTOM	1802
43	100145365	LOCH-HEAT TILE, LEFT BOTTOM	2072
43	100145347	LOCH-HEAT TILE, MIDDLE BOTTOM (3)	2072
43	100145366	LOCH-HEAT TILE, MIDDLE BOTTOM (1)	2072
43	100145367	LOCH-HEAT TILE, RIGHT BOTTOM	2072
JACKET ASSEMBLIES			
44	100152307	JACKET, OUTER FRONT UPPER MIDDLE	ALL
45	100152572	JACKET, OUTER FRONT UPPER LEFT	ALL
46	100152308	JACKET, OUTER FRONT UPPER RIGHT	992
46	100152309	JACKET, OUTER FRONT UPPER RIGHT	1262
46	100152310	JACKET, OUTER FRONT UPPER RIGHT	1442
46	100152311	JACKET, OUTER FRONT UPPER RIGHT	1802
46	100152312	JACKET, OUTER FRONT UPPER RIGHT	2072
47	100152560	JACKET, OUTER FRONT LOWER	992
47	100152561	JACKET, OUTER FRONT LOWER	1262
47	100152562	JACKET, OUTER FRONT LOWER	1442
47	100152563	JACKET, OUTER FRONT LOWER	1802
47	100152564	JACKET, OUTER FRONT LOWER	2072
48	100152553	JACKET, OUTER REAR HEAD	ALL
49	100152550	JACKET, OUTER LEFT LOWER HEAD	ALL
50	100152555	JACKET, OUTER TOP	992
50	100152556	JACKET, OUTER TOP	1262
50	100152557	JACKET, OUTER TOP	1442
50	100152558	JACKET, OUTER TOP	1802
50	100152559	JACKET, OUTER TOP	2072
51	100152313	DOOR, COMBUSTION CHAMBER	992
51	100152314	DOOR, COMBUSTION CHAMBER	1262
51	100152315	DOOR, COMBUSTION CHAMBER	1142
51	100152316	DOOR, COMBUSTION CHAMBER	1802
51	100152317	DOOR, COMBUSTION CHAMBER	2072

PLEASE HAVE MODEL AND SERIAL NUMBER WHEN ORDERING PARTS
NOTE: CH = BOILER. CF = WATER HEATER