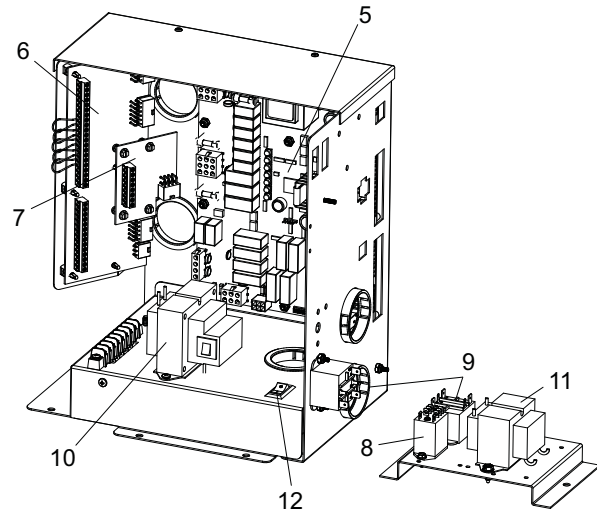
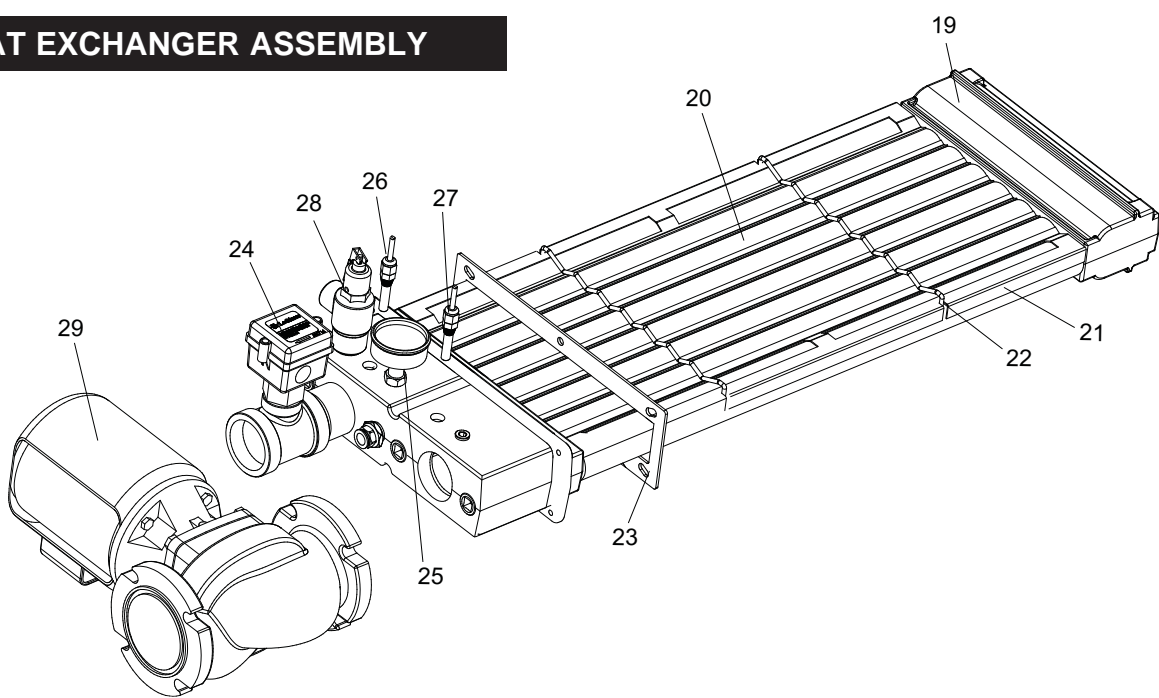




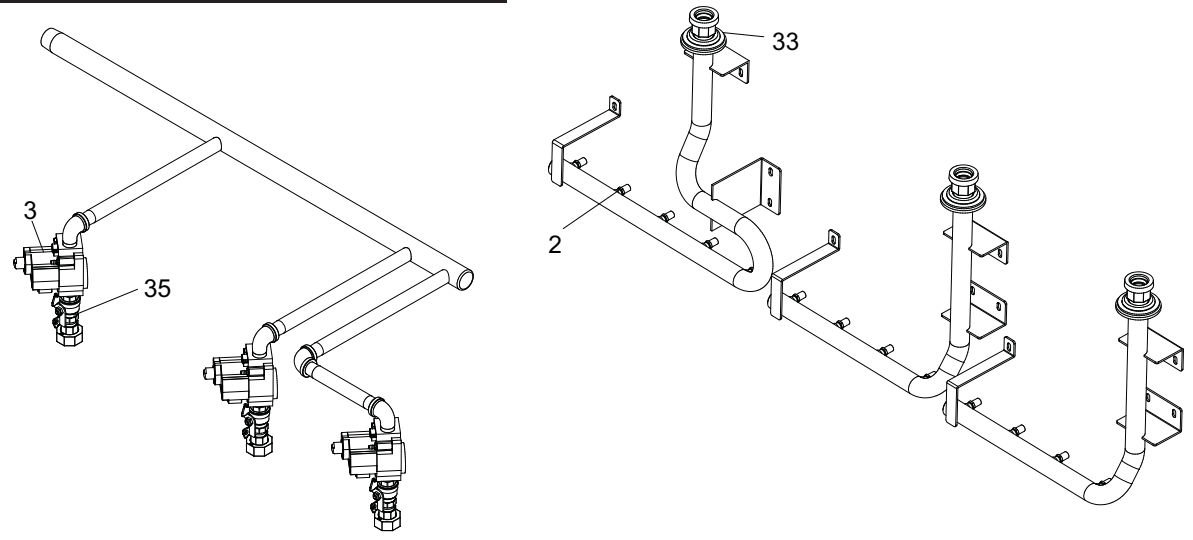
## CONTROL PANEL ASSEMBLY



## HEAT EXCHANGER ASSEMBLY



## GAS TRAIN ASSEMBLY



ITEM NO.	PART NO.	DESCRIPTION	MODEL NO.
<b>BURNERS</b>			
1		Model	100135270      100135300
		402	1 ea      7 ea
	100135300 is Main Burner	502	1 ea      9 ea
	100135270 is Main Burner w/ compression fitting.	652	1 ea      12 ea
		752	1 ea      14 ea
<b>GAS TRAIN ASSEMBLIES</b>			
2	100208344	ORIFICE, NAT	ALL
2	100208345	ORIFICE, LP	ALL
3	100208601	GAS VALVE ASSEMBLY, NAT	ALL
3	100208608	GAS VALVE ASSEMBLY, LP	ALL
<b>CONTROLS &amp; GAUGES</b>			
4	100208468	USER INTERFACE CONTROL	ALL
5	100208469	BOARD, MAIN CONTROL	ALL
6	100208475	BOARD, CONNECTOR	ALL
7	100167583	BOARD, SENSOR	CH
8	100208490	RELAY, DPDT	ALL
9	100208509	RELAY, 120VAC, 60HZ, 10.8 AMP	ALL
10	100208246	TRANSFORMER, 24V, 60VA	ALL
11	100208249	TRANSFORMER, 50VA	402 & 502
11	100208246	TRANSFORMER, 24V, 60VA	652 & 752
12	100208242	SWITCH, ON/OFF	ALL
13	100233485	FAN	ALL
14	100233678	GASKET, FAN	ALL
15	100166118	AIR PRESSURE SWITCH	ALL
16	100208384	AIR PRESSURE SWITCH	ALL
17	100165937	HOT SURFACE IGNITOR	ALL
18	100208087	GASKET, IGNITOR	ALL
<b>HEAT EXCHANGER</b>			
19	100147343	HEAT EXCHANGER, H	CH 402
19	100147344	HEAT EXCHANGER, H	CH 502
19	100147347	HEAT EXCHANGER, H	CH 652
19	100147349	HEAT EXCHANGER, H	CH 752
19	100147342	HEAT EXCHANGER, HLW	CF 402
19	100147346	HEAT EXCHANGER, HLW	CF 502
19	100147348	HEAT EXCHANGER, HLW	CF 652
19	100147350	HEAT EXCHANGER, HLW	CF 752
20	100151231	V-BAFFLE (5 REQ.)	402
20	100151232	V-BAFFLE (5 REQ.)	502
20	100151233	V-BAFFLE (5 REQ.)	652
20	100151234	V-BAFFLE (5 REQ.)	752
21	100151524	V-BAFFLE FRAME RUNNER (2 REQ.)	402
21	100151525	V-BAFFLE FRAME RUNNER (2 REQ.)	502
21	100151526	V-BAFFLE FRAME RUNNER (2 REQ.)	652
21	100151527	V-BAFFLE FRAME RUNNER (2 REQ.)	752
22	100163183	V-BAFFLE RETAINER (2 REQ.)	ALL
23	100208106	GASKET, HEAT SHIELD	ALL
24	100232493	FLOW SWITCH, OUTDOOR	ALL
24	100208653	FLOW SWITCH, INDOOR	ALL
25	100208152	GAUGE, TEMPERATURE & PRESSURE	ALL CH
26	100208559	SENSOR, DUAL IMMERSION, OUTLET	ALL
27	100208553	SENSOR, IMMERSION, INLET	ALL
28	100208443	RELIEF VALVE, TEMPERATURE & PRESSURE	CF 402
28	100208446	RELIEF VALVE, TEMPERATURE & PRESSURE	CF 502 - 752
28	100208442	RELIEF VALVE, PRESSURE ONLY	ALL CH
<b>PUMP</b>			
29	100133610	PUMP FOR COPPER-FIN II CF WATER HEATER	CF
29	100133612	PUMP FOR COPPER-FIN II CH BOILER	CH
<b>MISCELLANEOUS</b>			
30	100163259	SIGHT GLASS KIT	ALL
31	100233729	GASKET, SIGHT GLASS	ALL
32	100162714	CONDUIT BODY	ALL
33	100208097	GASKET, ESCUTCHEON, 3/4"	ALL
34	100162999	SCREW, KNURLED HEAD	ALL

PLEASE HAVE MODEL NUMBER AND SERIAL NUMBER WHEN ORDERING PARTS

NOTE: CH = BOILER, CF = WATER HEATER

ITEM NO.	PART NO.	DESCRIPTION	MODEL NO.
<b>MISCELLANEOUS CONTINUED</b>			
35	100171800	VALVE, BALL	CH 502 - 752
-	100233577	FILTER	ALL
-	100146604	GASKET, STRIP	ALL
-	100208231	FUSE, 3.15 AMP	ALL
-	100208232	FUSE, 5 AMP	ALL
-	100146461	GASKET, ESCUTCHEON, 1 1/4"	ALL
-	100233587	GASKET, BURNER	ALL
-	100146588	GASKET, PVC 1/4 X 5/8 X 25'	ALL
-	100162892	TEE, 3/16" HOSE MENDER, NYLON	ALL
-	100208319	CAP, 3/16" TEE FITTING, SILICONE	ALL
-	100208572	TUBING, GRAY 3/16" X 5/16"	ALL
-	100208573	TUBING, ALUMINUM, 1/8"	ALL
<b>LOCH-HEAT TILE</b>			
36	100233555	LOCH-HEAT TILE, FRONT HEAD SIDE	ALL
37	100145466	LOCH-HEAT TILE, REAR HEAD SIDE	ALL
38	100145467	LOCH-HEAT TILE, FRONT DOOR	402
38	100145468	LOCH-HEAT TILE, FRONT DOOR	502
38	100145399	LOCH-HEAT TILE, FRONT DOOR	652
38	100145400	LOCH-HEAT TILE, FRONT DOOR	752
39	100145693	LOCH-HEAT TILE, RIGHT BOTTOM	402
39	100145694	LOCH-HEAT TILE, RIGHT BOTTOM	502
39	100145695	LOCH-HEAT TILE, RIGHT BOTTOM	652
39	100233571	LOCH-HEAT TILE, RIGHT BOTTOM	752
-	100145369	LOCH-HEAT TILE, MIDDLE BOTTOM	652
-	100145697	LOCH-HEAT TILE, MIDDLE BOTTOM	752
40	100145692	LOCH-HEAT TILE, LEFT BOTTOM	402
40	100145694	LOCH-HEAT TILE, LEFT BOTTOM	502
40	100145368	LOCH-HEAT TILE, LEFT BOTTOM	652
40	100233571	LOCH-HEAT TILE, LEFT BOTTOM	752
41	100233575	LOCH-HEAT TILE, DIVIDER	ALL
42	100145612	LOCH-HEAT TILE, BACK	402
42	100145613	LOCH-HEAT TILE, BACK	502
42	100145614	LOCH-HEAT TILE, BACK	652
42	100145615	LOCH-HEAT TILE, BACK	752
43	100145674	INSULATION PAD, TOP	402
43	100145675	INSULATION PAD, TOP	502
43	100145676	INSULATION PAD, TOP	652
43	100145677	INSULATION PAD, TOP	752
<b>JACKET ASSEMBLIES</b>			
44	100151255	JACKET, OUTER FRONT UPPER MIDDLE	ALL
45	100151490	JACKET, OUTER FRONT UPPER LEFT	402 & 502
45	100151492	JACKET, OUTER FRONT UPPER LEFT	652 & 752
46	100151256	JACKET, OUTER FRONT UPPER RIGHT	402
46	100151258	JACKET, OUTER FRONT UPPER RIGHT	502
46	100151259	JACKET, OUTER FRONT UPPER RIGHT	652
46	100151260	JACKET, OUTER FRONT UPPER RIGHT	752
47	100151481	JACKET, OUTER FRONT LOWER	402
47	100151482	JACKET, OUTER FRONT LOWER	502
47	100151483	JACKET, OUTER FRONT LOWER	652
47	100151484	JACKET, OUTER FRONT LOWER	752
48	100151474	JACKET, OUTER REAR HEAD	402 & 502
48	100151496	JACKET, OUTER REAR HEAD	652 & 752
49	100151472	JACKET, OUTER LEFT LOWER HEAD	ALL
50	100151476	JACKET, OUTER TOP	402
50	100151477	JACKET, OUTER TOP	502
50	100151478	JACKET, OUTER TOP	652
50	100151479	JACKET, OUTER TOP	752
51	100151261	DOOR, COMBUSTION CHAMBER	402
51	100151262	DOOR, COMBUSTION CHAMBER	502
51	100151263	DOOR, COMBUSTION CHAMBER	652
51	100151264	DOOR, COMBUSTION CHAMBER	752
<b>PLEASE HAVE MODEL NUMBER AND SERIAL NUMBER WHEN ORDERING PARTS</b>			
<b>NOTE: CH = BOILER, CF = WATER HEATER</b>			