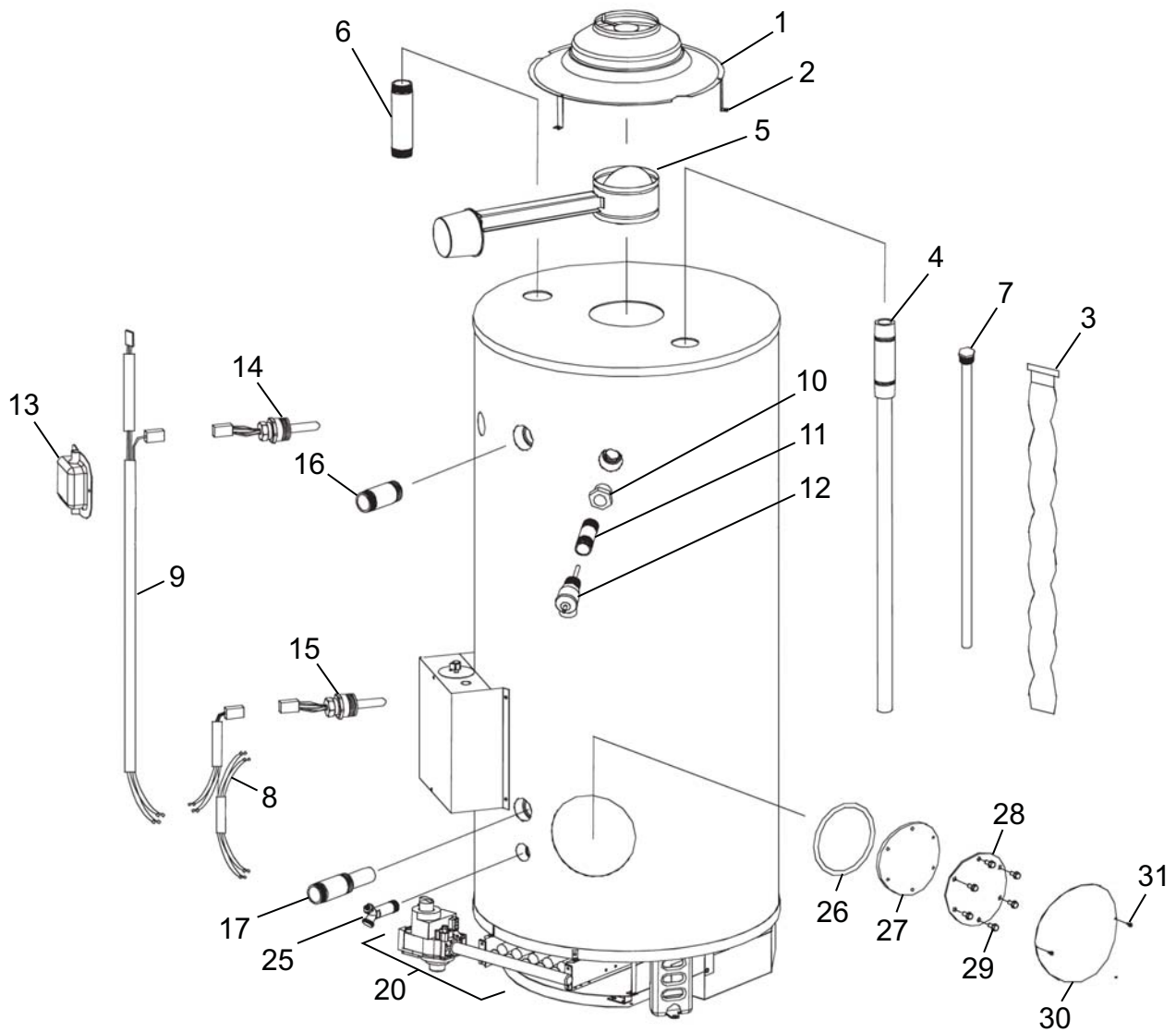




PARTS & SERVICE DEPARTMENT
 Nashville, Tennessee
 615-889-8900 • Fax: 615-882-2918
 parts_team@lochinvar.com
 www.Lochinvar.com

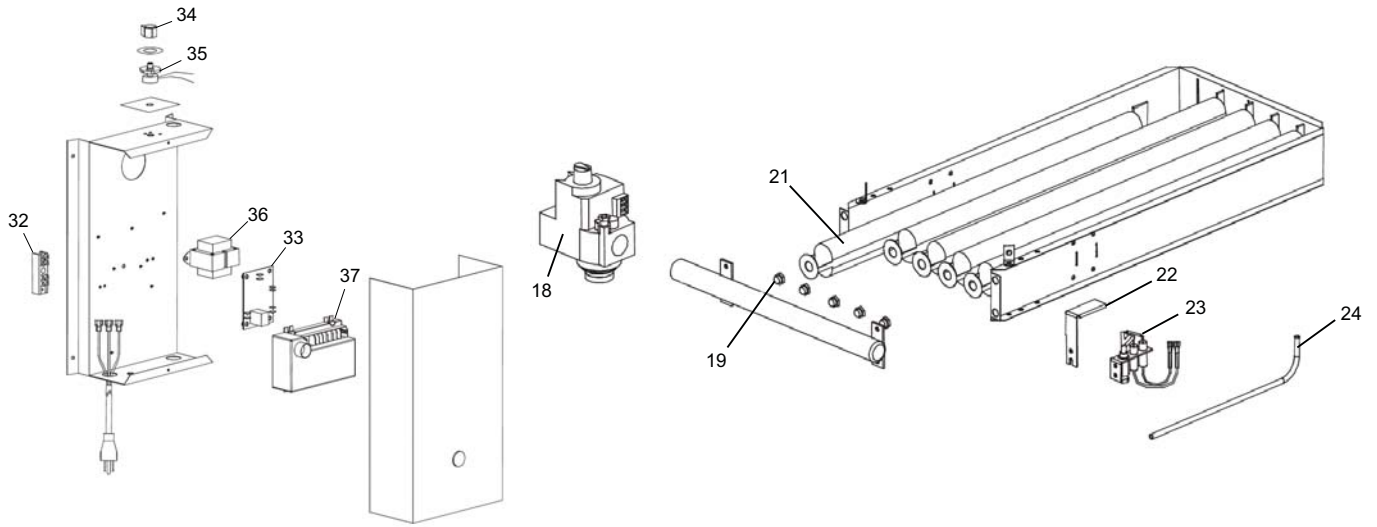
Replacement Parts List

**Commercial Gas Charger Series
 Models CNR/CLR
 125-075-DF9 thru 501-080-DF9**



CONTROL PANEL ASSEMBLY

HEAT EXCHANGER ASSEMBLY



ITEM	PART NUMBER	DESCRIPTION	MODEL NUMBER
1	DRH1022	DRAFT DIVERTER	125-075
1	DRH1023	DRAFT DIVERTER	155-035 & 199-100
1	DRH10005	DRAFT DIVERTER	160-075
1	DRH1024	DRAFT DIVERTER	180-080 THRU 250(1)-100
1	DRH10006	DRAFT DIVERTER	300(1)-075
1	DRH1025	DRAFT DIVERTER	370(1)-065
1	DRH10007	DRAFT DIVERTER	400(1)-080
1	DRH1026	DRAFT DIVERTER	500(1)-080
2	DRH1027	DRAFT DIVERTER LEG KIT	125-075, 155-035, 180-080, 200-080 THRU 250(1)-100
2	DRH10008	DRAFT DIVERTER LEG KIT	160-075
2	DRH10009	DRAFT DIVERTER LEG KIT	199-100
2	DRH10010	DRAFT DIVERTER LEG KIT	300(1)-075
2	DRH1166	DRAFT DIVERTER LEG KIT	370(1)-065
2	DRH10011	DRAFT DIVERTER LEG KIT	400(1)-080
2	DRH10012	DRAFT DIVERTER LEG KIT	500(1)-080
3	JKT1507	FLUE BAFFLE	155-035
3	JKT1505	FLUE BAFFLE	180-080
3	JKT1057	FLUE BAFFLE	199-100
3	JKT1091	FLUE BAFFLE	200-080
3	WTR1123	FLUE BAFFLE	200-100
3	JKT10032	FLUE BAFFLE	250(1)-100
3	WTR1125	FLUE BAFFLE	300(1)-075
3	JKT10033	FLUE BAFFLE	370(1)-065
3	JKT1075	FLUE BAFFLE	400(1)-080
3	JKT1075	FLUE BAFFLE	500(1)-080
4	WTR10086	DIP TUBE	125-075 & 160-075
4	WTR10087	DIP TUBE	180-080
4	WTR1042	DIP TUBE	199-100
4	WTR10088	DIP TUBE	200-080
4	WTR1014	DIP TUBE	200-100
4	WTR1014	DIP TUBE	250(1)-100
5	FLD1016	FLUE DAMPER 6"	125-075 THRU 250(1)-100
5	FLD1018	FLUE DAMPER 8"	300(1)-075 THRU 400(1)-080
5	FLD1019	FLUE DAMPER 10"	500(1)-080
6	WTR1081	NIPPLE, HOT WTR OUTLET (TOP/SIDE)	ALL
7	WTR1085	ANODE, MAG ROD	125-075
7	WTR1086	ANODE, MAG ROD	155-035

PLEASE HAVE MODEL AND SERIAL NUMBER WHEN ORDERING PARTS

ITEM	PART NUMBER	DESCRIPTION	MODEL NUMBER
7	WTR1085	ANODE, MAG ROD	400(1)-080
7	WTR1085	ANODE, MAG ROD	500(1)-080
8	WRE1054	WIRE HARNESS,GAS VALVE & SENSOR BEGINNING WITH BK	125-075 & 160-075
8	WRE10016	WIRE HARNESS,GAS VALVE & SENSOR BEGINNING WITH BK	155-035, 199-100, 400(1)-080 & 500(1)-080
8	WRE1050	WIRE HARNESS,GAS VALVE & SENSOR BEGINNING WITH BK	180-080 THRU 250(1)-100
8	WRE10017	WIRE HARNESS,GAS VALVE & SENSOR BEGINNING WITH BK	300(1)-075
8	WRE10018	WIRE HARNESS,GAS VALVE & SENSOR BEGINNING WITH BK	370(1)-065
9	WRE10014	WIRE HARNESS,UPPER SENSOR & DAMPER BEGINNING WITH BK	125-075 & 160-075
9	WRE10015	WIRE HARNESS,UPPER SENSOR & DAMPER BEGINNING WITH BK	155-035
9	WRE10009	WIRE HARNESS,UPPER SENSOR & DAMPER BEGINNING WITH BK	180-080 & 200-080
9	WRE10010	WIRE HARNESS,UPPER SENSOR & DAMPER BEGINNING WITH BK	199-100
9	WRE10011	WIRE HARNESS,UPPER SENSOR & DAMPER BEGINNING WITH BK	200-100 & 250(1)-100
9	WRE10013	WIRE HARNESS,UPPER SENSOR & DAMPER BEGINNING WITH BK	300(1)-075 THRU 500(1)-080
10	GLV2816	BUSHING, 1" TO 3/4" REDUCER	145-035, 199-100, 200-080, 200-100
11	BKP2943	NIPPLE, 3/4" X 3"	125-075 THRU 200-080
11	GLV2849	NIPPLE, 1" X 3"	250(1)-080 THRU 501-080
12	RLV1014	TEMPERATURE & PRESSURE RELIEF VALVE 3/4"	125-075 THRU 200-080
12	RLV1015	TEMPERATURE & PRESSURE RELIEF VALVE 1"	250(1)-080 THRU 501-080
13	JKT1200	SENSOR COVER	ALL
14	TST1187	UPPER SENSOR	180-080 THRU 500(1)-080
15	TST1188	LOWER SENSOR*	ALL
16	GLV2856	NIPPLE, SIDE WATER CONNECTIONS 1-1/2" X 4"	ALL
17	WTR1112	DIP TUBE, SIDE CONNECTION	ALL
18	VAL1041	VALVE, GAS NAT	125-075 THRU 300(1)-075
18	VAL1063	VALVE, GAS NAT	370(1)-065 THRU 500(1)-080
18	VAL1065	VALVE, LP GAS, DF9 3/4"***	ALL
18	VAL2916	VALVE, LP GAS,1"***	400(1)-080 THRU 500(1)-080
19	ORF1020-33	ORIFICE, MAIN BURNER NAT	125-075
19	ORF1020-1/16	ORIFICE, MAIN BURNER NAT	155-035
19	ORF1020-42	ORIFICE, MAIN BURNER NAT	160-075
19	ORF1020-37	ORIFICE, MAIN BURNER NAT	180-080
19	ORF1020-42	ORIFICE, MAIN BURNER NAT	199-100
19	ORF1020-35	ORIFICE, MAIN BURNER NAT	200-080
19	ORF1020-35	ORIFICE, MAIN BURNER NAT	200-100
19	ORF1020-31	ORIFICE, MAIN BURNER NAT	250(1)-100
19	ORF1020-32	ORIFICE, MAIN BURNER NAT	300(1)-075
19	ORF1020-33	ORIFICE, MAIN BURNER NAT	370(1)-065
19	ORF1020-32	ORIFICE, MAIN BURNER NAT	400(1)-080
19	ORF1020-30	ORIFICE, MAIN BURNER NAT	500(1)-080
19	ORF1020-48	ORIFICE, MAIN BURNER LP	125-075
19	ORF1020-52	ORIFICE, MAIN BURNER LP	155-035
19	ORF1020-52	ORIFICE, MAIN BURNER LP	160-075
19	ORF1020-50	ORIFICE, MAIN BURNER LP	180-080
19	ORF1020-1/16	ORIFICE, MAIN BURNER LP	199-100
19	ORF1020-49	ORIFICE, MAIN BURNER LP	200-080
19	ORF1020-49	ORIFICE, MAIN BURNER LP	200-100
19	ORF1020-46	ORIFICE, MAIN BURNER LP	250(1)-100
19	ORF1020-48	ORIFICE, MAIN BURNER LP	300(1)-075
19	ORF1020-49	ORIFICE, MAIN BURNER LP	370(1)-065
19	ORF1020-48	ORIFICE, MAIN BURNER LP	400(1)-080
19	ORF1020-44	ORIFICE, MAIN BURNER LP	500(1)-080

PLEASE HAVE MODEL AND SERIAL NUMBER WHEN ORDERING PARTS

ITEM	PART NUMBER	DESCRIPTION	MODEL NUMBER
20	BNR1160	BURNER ASSEMBLY NAT	125-075
20	BNR1168	BURNER ASSEMBLY NAT	155-035
20	BNR1183	BURNER ASSEMBLY NAT	160-075
20	BNR1303	BURNER ASSEMBLY NAT	180-080
20	BNR1145	BURNER ASSEMBLY NAT	199-100
20	BNR1156	BURNER ASSEMBLY NAT	200-080
20	BNR1156	BURNER ASSEMBLY NAT	200-100
20	BNR1185	BURNER ASSEMBLY NAT	250(1)-100
20	BNR1158	BURNER ASSEMBLY NAT	300(1)-075
20	BNR1165	BURNER ASSEMBLY NAT	370(1)-065
20	BNR1149	BURNER ASSEMBLY NAT	400(1)-080
20	BNR1151	BURNER ASSEMBLY NAT	500(1)-080
20	BNR1161	BURNER ASSEMBLY LP	125-075
20	BNR1184	BURNER ASSEMBLY LP	155-035
20	BNR1184	BURNER ASSEMBLY LP	160-075
20	BNR1282	BURNER ASSEMBLY LP	180-080
20	BNR1147	BURNER ASSEMBLY LP	199-100
20	BNR1157	BURNER ASSEMBLY LP	200-080
20	BNR1157	BURNER ASSEMBLY LP	200-100
20	BNR1261	BURNER ASSEMBLY LP	250(1)-100
20	BNR1159	BURNER ASSEMBLY LP	300(1)-075
20	BNR1166	BURNER ASSEMBLY LP	370(1)-065
20	BNR1150	BURNER ASSEMBLY LP	400(1)-080
20	BNR1155	BURNER ASSEMBLY LP	500(1)-080
21	BNR1059	MAIN BURNER	ALL
22	JKT3003	FLAME GUARD	ALL
23	PLT1140	PILOT ASSEMBLY NAT.	ALL
23	PLT1121	PILOT ASSEMBLY LPG.	ALL
24	MSC2933	ALUMUNIN PILOT TUBING`	ALL
25	DRV2508	BRASS DRAIN VALVE	ALL
26	GKT1010	GASKET, 4" X 6" HANDHOLE NON-ASME	ALL NON-ASME
27	GKT2101	GASKET, 4" X 6" HANDHOLE ASME	CNA251-080 THRU 501-080
28	WTR1022	PLATE HANDHOLE COVER NON-ASME	ALL NON-ASME
28	WTR1039	PLATE HANDHOLE COVER ASME	CNA251-080 THRU 501-080
29	BLT1040	BOLT FOR HANDHOLE	ALL
30	WTR1101	HANDHOLE CLEAN OUT COVERPLATE	ALL
31	BLT1040	BOLT FOR HANDHOLE COVER	ALL
32	BLK1040	TERMINAL BLOCK PRIOR TO BK	ALL
33	TST1293	SINGLE SENSOR STAT BOARD KIT BEGINNING NB	125-075 THRU 155-035
33	TST1294	DUAL SENSOR STAT BOARD KIT BEGINNING NB	160-075 THRU 500(1)-080
33	TST1089	SINGLE SENSOR THERMOSTAT PRIOR TO NB	125-075 THRU 155-035
33	TST1084	DUEL SENSOR THERMOSTAT PRIOR TO NB	160-075 THRU 500(1)-080
34	TST1096	KNOB FOR POTENTIOMETER	ALL
35	TST1091	POTENTIOMETER W/ GASKET	ALL
36	TRF1038	TRANSFORMER PRIOR TO BK	ALL
36	TRF1042	TRANSFORMER BEGINNING WITH BK	ALL
37	RLY1131	IGNITION CONTROL	ALL

PLEASE HAVE MODEL AND SERIAL NUMBER WHEN ORDERING PARTS