

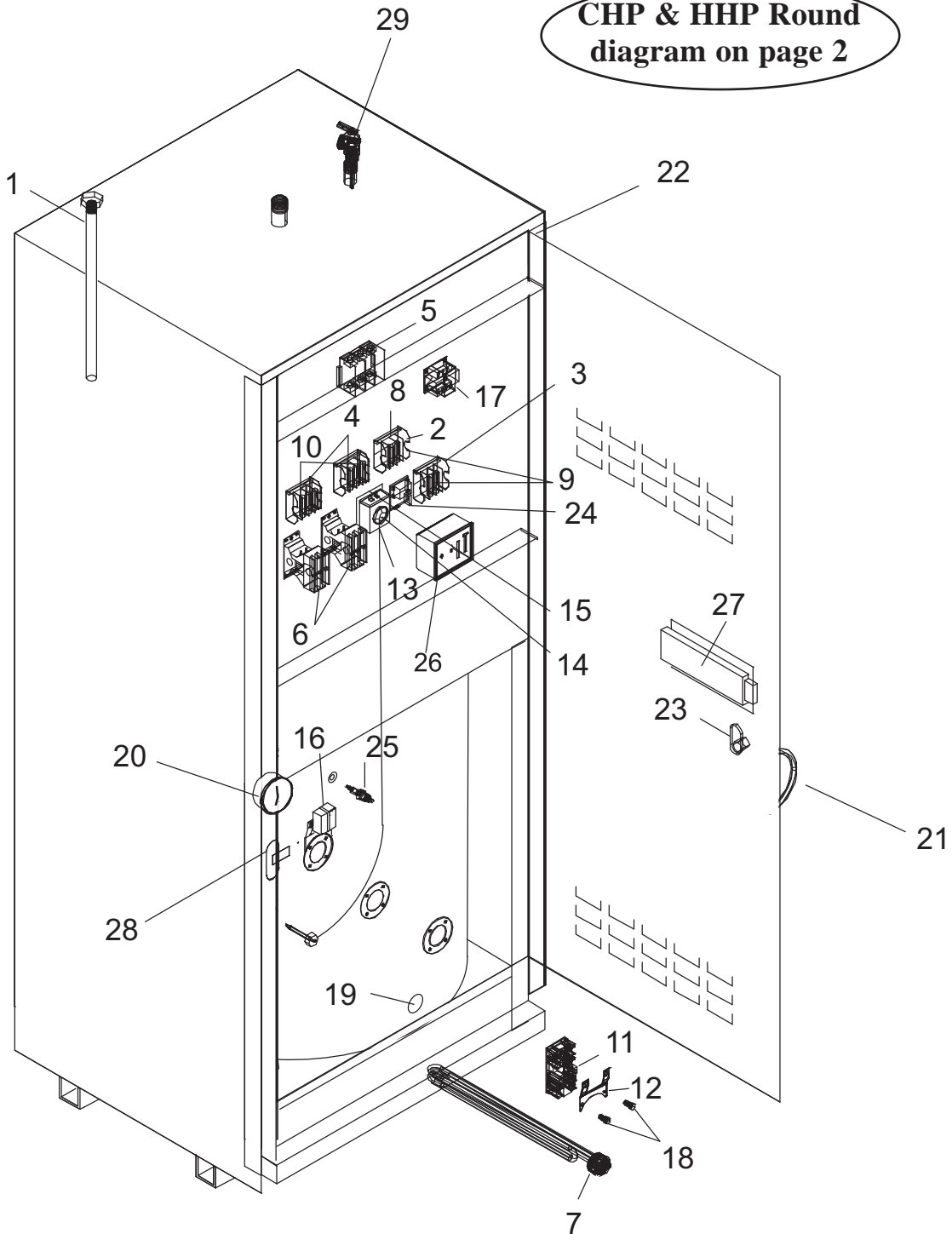


PARTS & SERVICE DEPARTMENT
 Nashville, Tennessee
 615-889-8900 • Fax: 615-547-1000
 www.Lochinvar.com

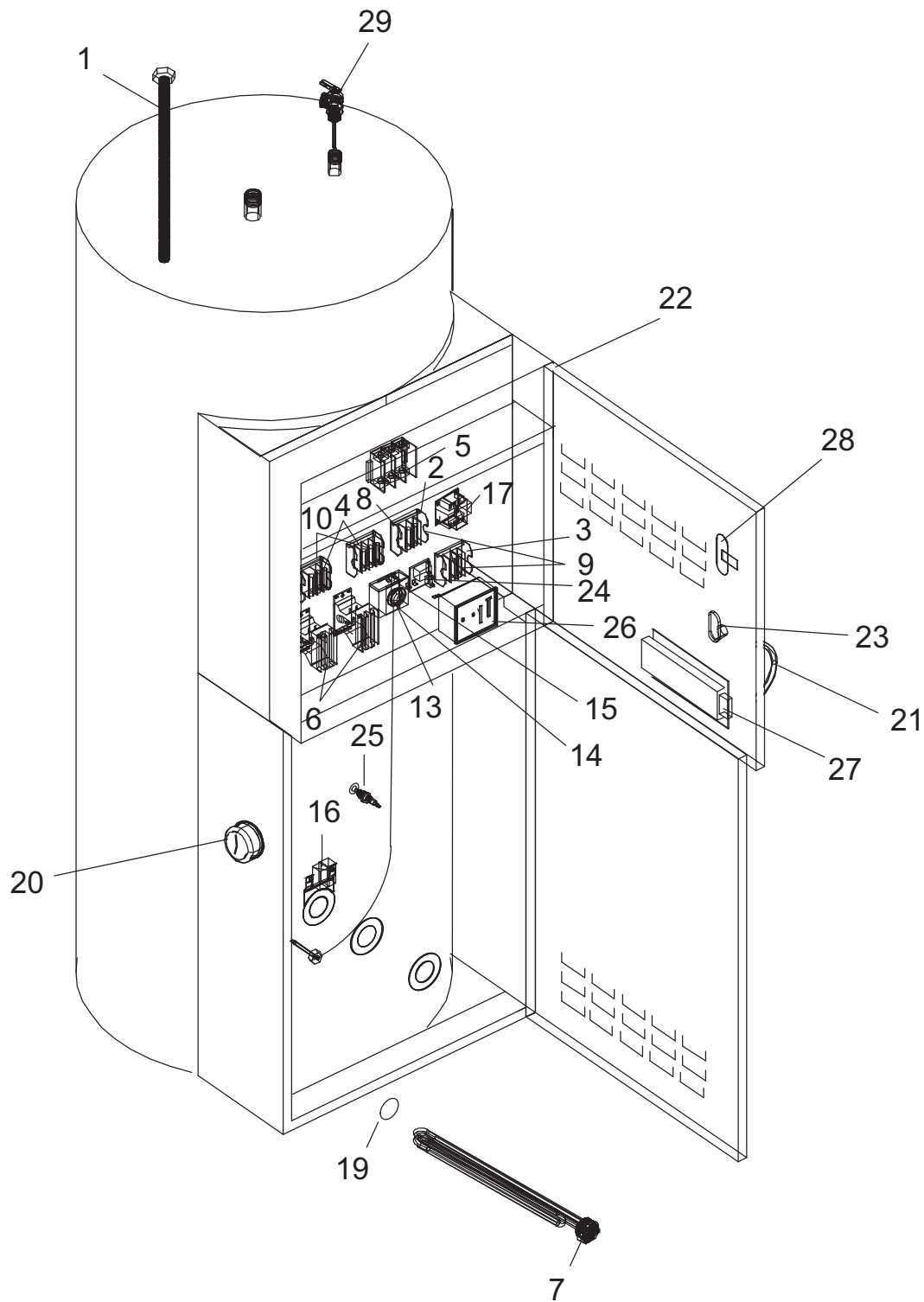
Replacement Parts List

**Commercial Electric
 Custom Hi-Power®
 Models: CHP & HHP
 Round & Square**

**CHP & HHP Round
 diagram on page 2**



Commercial Electric Custom Hi-Power® Round



| ITEM NO. | PART NO. | DESCRIPTION | MODEL NO. | | | | |
|--|----------------|--|---|--|--------------------------|--------------------------|--------------------------|
| ANODE RODS | | | | | | | |
| 1 | WTR2501 | ANODE ROD 1" NPT X 36" LONG | 500gal & 600gal (3 REQ) 800gal & 1000gal (4 REQ) | | | | |
| 1 | WTR2502 | ANODE ROD 1" NPT X 48" LONG | 150gal (1 REQ) | | | | |
| 1 | WTR2503 | ANODE ROD 1" NPT X 62" LONG | 200gal, 250gal, 300gal (1 REQ) | | | | |
| 1 | WTR2504 | ANODE ROD 3/4" NPT X 52" LONG | 400gal (2 REQ) | | | | |
| FUSE BLOCKS | | | | | | | |
| 2 | BLK2533 | FUSE BLOCK, (PRIMARY CONTROL CIRCUIT) | ALL 380, 415, 480 & 600V | | | | |
| 2 | BLK2536 | FUSE BLOCK, (PRIMARY CONTROL CIRCUIT) | ALL 208 & 240V | | | | |
| 3 | BLK2535 | FUSE BLOCK, (SECONDARY CONTROL CIRCUIT) | ALL | | | | |
| 4 | BLK2508 | FUSE BLOCK | ALL 208 & 240V | | | | |
| 4 | BLK2509 | FUSE BLOCK | ALL 380, 415, 480 & 600V | | | | |
| TERMINAL BLOCKS | | | | | | | |
| 5 | BLK2517 | TERMINAL BLOCK | 240V: 18-36KW 208V: 18-36KW 480V: 18-54, 72-90, 108KW | | | | |
| 5 | BLK2518 | TERMINAL BLOCK | 240V: 54KW 208V: 54, 108KW 480V: 252-270KW | | | | |
| 5 | BLK2524 | TERMINAL BLOCK | 240V: 72-90, 108-594KW 208V: 72-90, 144-594KW 480V: 108, 144-162, 288-900KW | | | | |
| CONTACTORS | | | | | | | |
| 6 | CTR2506 | CONTACTOR 50 AMP | ALL | | | | |
| FLANGED ELEMENTS | | | | | | | |
| | WATTAGE | 208 VOLT PART NO. | 240 VOLT PART NO. | 480V PART NO. | | | |
| 7 | 3000 | ELE2540 | ELE2531 | ELE2532 | | | |
| 7 | 4000 | ELE2534 | ELE2540 | ELE2541 | | | |
| 7 | 4500 | ELE2537 | ELE2543 | ELE2544 | | | |
| 7 | 5000 | ELE2533 | ELE2534 | ELE2535 | | | |
| 7 | 6000 | ELE2536 | ELE2537 | ELE2538 | | | |
| SCREW-IN TYPE ELEMENTS - 1 1/2" NPS | | | | | | | |
| | WATTAGE | 208 VOLT PART NO. | 240 VOLT PART NO. | 380V PART NO. | 415V PART NO. | 480V PART NO. | 600V PART NO. |
| 7 | 12000 | ELE2558 | ELE2557 | ELE2564 | ELE2561 | ELE2556 | ELE2579 |
| 7 | 15000 | ELE2555 | ELE2554 | ELE2563 | ELE2560 | ELE2553 | ELE2578 |
| 7 | 18000 | ELE2552 | ELE2551 | ELE2559 | ELE2562 | ELE2550 | ELE2577 |
| FUSES | | | | | | | |
| 8 | FUS2504 | FUSE, 600V 15A (PRIMARY CONTROL CIRCUIT) | | ALL 380, 415, 480 & 600V | | | |
| 9 | FUS2527 | FUSE, 250V 15A | | PRIMARY 240 & 208 ONLY AND ALL SECONDARY | | | |
| 10 | FUS2517 | FUSE, 300V 40A | | 208V: 18-72, 108-594KW | | | |
| 10 | FUS2516 | FUSE, 250V 35A | | 240V: 18-72, 108-594KW | | | |
| 10 | FUS2508 | FUSE, 600V 35A | | 480V & 600V: 18-36, 144, 180-252, 288, 342-360, 396-414, 450-468, 504-522, 558-576, 612-630, 666-684, 720-738, 774-792, 828-846, 882-900KW | | | |
| 10 | FUS2510 | FUSE, 600V 50A | | 480V & 600V: 54, 108, 162, 216, 324, 378, 432, 486, 540, 594, 648, 702, 756, 810, 864KW | | | |
| 10 | FUS2522 | FUSE, 600V 60A | | 480V & 600V: 90 & 270KW | | | |
| 10 | FUS2523 | FUSE, 250V 60A | | 208V & 240V: 90KW | | | |
| THERMOSTATS | | | | | | | |
| 11 | TST2527 | THERMOSTAT, SURFACE W/ ECO | | ALL SURFACE THERMOSTATS | | | |
| 12 | TST2573 | BRACKET, THERMOSTAT MOUNTING | | ALL SURFACE THERMOSTATS | | | |
| 13 | TST2528 | THERMOSTAT, IMMERSION | | ALL IMMERSION THERMOSTATS | | | |
| 14 | TST2574 | KNOB, THERMOSTAT IMMERSION | | ALL IMMERSION THERMOSTATS | | | |
| 15 | JKT5681 | BRACKET, THERMOSTAT MOUNTING (IMMERSION) | | ALL IMMERSION THERMOSTATS | | | |
| 16 | HLC2508 | HI LIMIT | | ALL IMMERSION THERMOSTATS | | | |
| PLEASE HAVE MODEL AND SERIAL NUMBER WHEN ORDERING PARTS | | | | | | | |

| ITEM NO. | PART NO. | DESCRIPTION | MODEL NO. |
|--|-----------|---|-----------------------|
| TRANSFORMERS | | | |
| 17 | TRF2511 | TRANSFORMER, 240/480-120V | UP TO 100VA |
| 17 | TRF2510 | TRANSFORMER, 240/480-120V | 101-150VA |
| 17 | TRF2502 | TRANSFORMER, 240/480-120V | 151-250VA |
| 17 | TRF2524 | TRANSFORMER, 240/480-120V | 251-350VA |
| 17 | TRF2521 | TRANSFORMER, 380/208-120V | UP TO 100VA |
| 17 | TRF2525 | TRANSFORMER, 380/208-120V | 101-250VA |
| 17 | TRF2530 | TRANSFORMER, 415/600-120V | UP TO 50VA |
| 17 | TRF2531 | TRANSFORMER, 415/600-120V | 51 - 250VA |
| MISCELLANEOUS | | | |
| 18 | BLT1018 | BOLT, ELEMENT | ALL FOUR BOLT FLANGED |
| 19 | GKT2512 | GASKET, FLANGED | ALL FOUR BOLT FLANGED |
| 19 | GKT2435 | GASKET, ELEMENT SCREW-IN | ALL SCREW-IN |
| 20 | GTP30002 | TEMPERATURE & PRESSURE GAUGE | OPTIONAL |
| 21 | MSC2547 | HANDLE, DOOR | ALL |
| 22 | HNG2001 | HINGE | ALL |
| 23 | MSC2566 | LOCK, KEY | ALL |
| 24 | WTR2528 | RELAY, LWCO | OPTIONAL |
| 25 | WTR2222 | PROBE, LWCO | OPTIONAL |
| 26 | PRS2008 | SWITCH, HIGH WATER PRESSURE | OPTIONAL |
| - | PRS2507 | SWITCH, LOW WATER PRESSURE | OPTIONAL |
| 27 | MSC2525 | SAFETY DOOR INTERLOCK | OPTIONAL |
| 28 | MSC2017 | PILOT SWITCH WITH LIGHT | ALL |
| 29 | RLV2008 | RELIEF VALVE 125# W.P. | ALL |
| 29 | RLV2007 | RELIEF VALVE 150# W.P. | OPTIONAL |
| | TP0010PBF | PUMP | HHP |
| | GKT1015 | GASKET, HAND HOLE 4"X6", ONE BOLT | OPTIONAL |
| | GKT2516 | GASKET, MANWAY 11"X15" | OPTIONAL |
| | GKT2520 | GASKET, MANWAY 12"X16" | OPTIONAL |
| | MSC2511 | ALARM BELL | OPTIONAL |
| | GKT2101 | GASKET, SIX BOLT ASME | ALL |
| | MSC2115 | COVER, CLEANOUT SIX BOLT ASME | ALL |
| | MSC2505 | BLOCK-OFF PLATE, ELEMENT ACCESS SCREW-IN TYPE | ALL |
| PLEASE HAVE MODEL AND SERIAL NUMBER WHEN ORDERING PARTS | | | |