



Lochinvar[®]
HIGH EFFICIENCY BOILERS & WATER HEATERS

**CUSTOM HI-POWER[®]
ROUND WATER HEATER**

Submittal Sheet

CHPR-Sub-10b

ROUND JACKETED CUSTOM HI-POWER[®] ELECTRIC WATER HEATERS

JOB NAME _____

LOCATION _____

ENGINEER _____

WHOLESALE _____

MECH. CONTRACTOR _____

MODEL NO. _____

RECOVERY RATE IN GPH _____ **@** _____ **°F RISE**

GALLON CAPACITY _____

VOLTAGE/PHASE _____

KW _____

NOTES

Standard Features

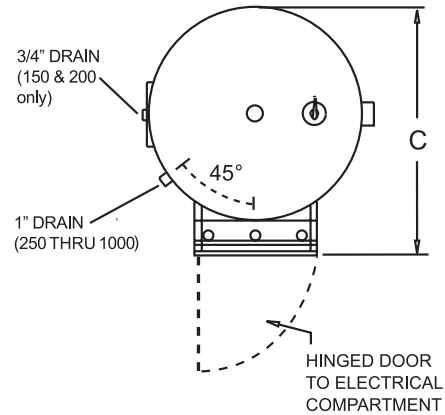
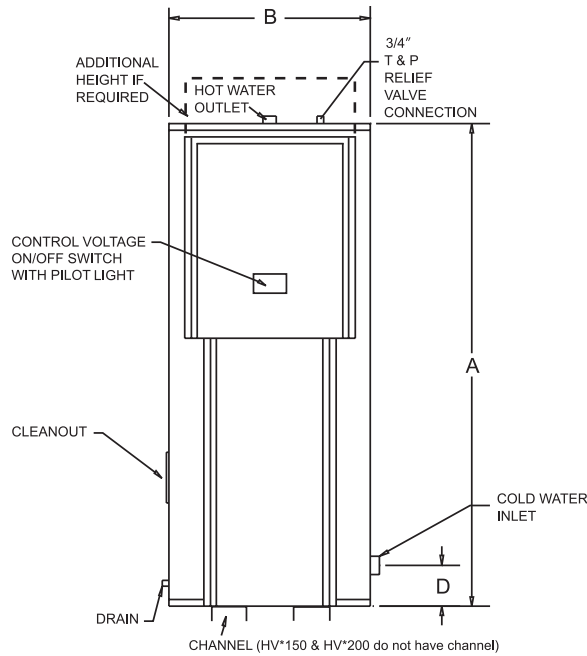
- Glass Lined Steel Tank
- Incoloy Elements
- Internal Fusing
- Galvanized Steel Jacket
- Magnesium Tank Saver Anode Rods
- Immersion Thermostat
- Manual Reset High Limit
- Full Length Hinged Doors with Key Lock
- Terminal Block Connections
- ASME Temperature and Pressure Relief Valve
- Channel Iron Skid Base
- 180°F Temperature Operation
- ASME Constructed and National Board Listed
- All models meet or exceed ASHRAE Energy Efficiency Standards
- 125 psi Working Pressure
- Lifting Lugs (600-1000 Gallon Models)
- Handhole Cleanout
- UL Listed
- 3 Year Limited Warranty on Tank
(see warranty for details)

Optional Equipment

Place an X in the box by all options that apply

- Alarm Bell
- ASME 150 psi Construction
- Manway 250 Gallon and Larger Only)
- Lifting Lugs (pair)
- Low Water Cut-Off (Probe Type)
- Low Water Pressure Switch
- High Water Pressure Switch
- Pilot Lights and Switch for each Contactor
- Safety Door Interlock
- Temperature and Pressure Gauge
- Time Clock (7 Day)
- Time Clock (24 Hour)
- Shunt Trip Disconnect
- Solid State Modulating Controls
- 1-4 Step
- 5-8 Step
- 9-12 Step

Custom Hi-Power® Round Electric Water Heater Dimensions & Specifications



Model	Max. KW	Gal. Cap.	A	B	C	D	Water Conn.		Shipping Weight (.lbs)
							Inlet	Outlet	
Vertical Round									
CHV*kW-150	144	150	65-1/2"	32"	38-3/4"	7-3/4"	1-1/2"	1-1/2"	650
CHV*kW-200	180	200	78"	32"	38-3/4"	7-3/4"	1-1/2"	1-1/2"	750
CHV*kW-250	216	250	92"	34"	40-3/4"	19-1/2"	1-1/2"	1-1/2"	1,165
CHV*kW-300	270	300	80"	40"	46-3/4"	21"	2"	2"	1,350
CHV*kW-400	360	400	80"	46"	52-3/4"	22-1/2"	2"	2"	1,590
CHV*kW-500	396	500	92"	46"	52-3/4"	22-1/2"	2"	2"	1,700
CHV*kW-600	396	600	92"	52"	60-3/4"	24-1/2"	2-1/2"	2-1/2"	2,010
CHV*kW-800	396	750	104"	52"	60-3/4"	24-1/2"	2-1/2"	2-1/2"	2,450
CHV*kW-1000	396	950	128"	52"	60-3/4"	24-1/2"	2-1/2"	2-1/2"	3,160

NOTES: Vertical Round models above 90 kW at 208V, 240V or 380V, and 162 kW at 415V, 480V, or 600V exceed the capacity of a single control box and may require multiple control panels. Consult the factory for specific details and optional construction.

Vertical Square construction is available as an option for models that exceed the listed kW limits.

Control panel height on Vertical Round models may exceed tank height – consult factory for specific heights on models with inputs above 72 kW.

On models 250 and up dimensions include channel iron base (not shown).

* = Voltage Schedule
 KW = KW Output

VOLTAGE SCHEDULE

- A — 240V 1Ø
- B — 240V 3Ø
- J — 208V 1Ø
- K — 208V 3Ø
- N — 600V 3Ø
- Q — 400V 3Ø
- W — 277V 1Ø
- X — 480V 3Ø
- Y — 380V 3Ø
- Z — 415V 3Ø



Lochinvar, LLC
 300 Maddox Simpson Parkway
 Lebanon, Tennessee 37090
 P: 615.889.8900 / F: 615.547.1000
 Lochinvar.com

