



Lochinvar[®]
HIGH EFFICIENCY BOILERS & WATER HEATERS

**LIGHT DUTY
COMMERCIAL ELECTRIC
WATER HEATER
Submittal Sheet**

CLD-Sub-04

LIGHT DUTY COMMERCIAL ELECTRIC WATER HEATERS

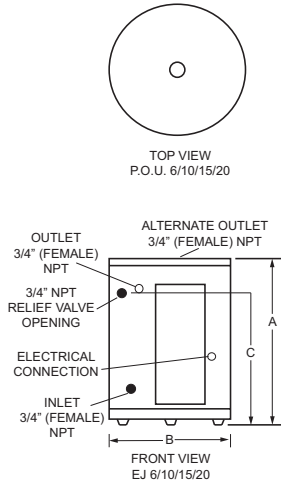
JOB NAME _____
LOCATION _____
ENGINEER _____
WHOLESALE _____
MECH. CONTRACTOR _____
MODEL NO. _____
RECOVERY RATE IN GPH _____ @ _____ °F RISE
GALLON CAPACITY _____
VOLTAGE/PHASE _____
KW _____
NOTES

Standard Features

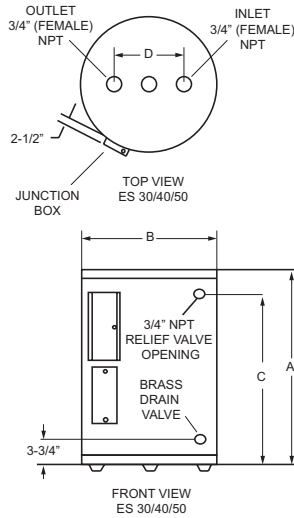
- Meets ASHRAE Energy Efficiency Standards.
- 300 psi Test Pressure, 150 psi Working Pressure.
- Glass-Lined Steel Tank
- Non-CFC Foam Insulation
- Adjustable Thermostats
- Automatic Overheat Protection
- Tank Saver Anode
- ASME Temperature and Pressure Relief Valve
- 3 Year Limited Tank Warranty, 1 Year Limited Parts Warranty
(See warranty for details)

Dimensions & Specifications

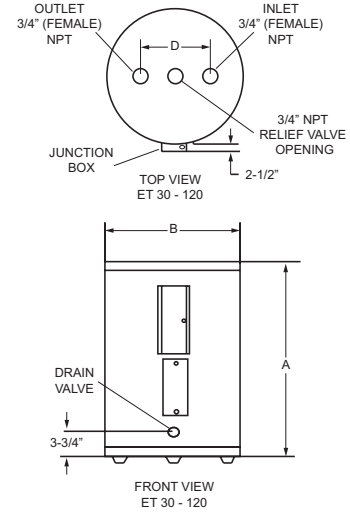
Point-of-Use models



Short models



Tall models



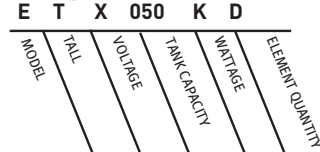
Light Duty Commercial Models

Model	Gallon Number	Gallon Capacity	A	B	C	D	Shipping Weight
Point-of-Use Models							
EJW006FS	6	6	15-1/2"	14-1/4"	11"	-	35
EJW010FS	10	10	18-1/4"	18"	12-1/2"	-	54
EJW015FS	15	15	26"	18"	20-1/2"	-	58
EJW020FS	20	20	22-1/4"	21-3/4"	15-1/2"	-	73
Short Models							
ESX030KD	30	30	31"	21-3/4"	24-1/4"	8"	109
ESX040KD	40	40	32-1/4"	24"	25-1/2"	8"	138
ESX050KD	50	50	32-1/4"	26-1/2"	25-1/4"	8"	184
Tall Models							
ETX030KD	30	30	34-1/2"	20-1/2"	-	8"	105
ETX040KD	40	40	45-1/4"	20-1/2"	-	8"	122
ETX050KD	50	50	55"	20-1/2"	-	8"	140
ETX065KD	66	66	60-3/4"	21-3/4"	-	8"	166
ETX080KD	80	80	59-1/2"	24"	-	8"	200
ETX120KD	119	119	62-1/2"	29-1/2"	-	8"	337

Voltage Schedule (EJ Models)		
C	120V	1 PH
J	208V	1 PH
A	240V	1 PH
W	277V	1 PH
V	480V	1 PH
(ES & ET Models)		
T	208V	1 or 3 PH
P	240V	1 or 3 PH
W	277V	1 PH
X	480V	1 or 3 PH

Wattage Limits w/ Simultaneous Operation	
208V	10,000W (5,000W/5,000W)
240V	11,000W (5,500W/5,500W)
277V	12,000W (6,000W/6,000W)
480V	12,000W (6,000W/6,000W)

For Ease in Ordering by Model Number



This is a Tall Commercial Electric 480 volt model with a tank capacity of 50 gallons. The upper and lower elements are 4500 watts.

Notes: Point of Use models are non-simultaneous circuit only. P.O.U. models available in single phase only. 6 gallon P.O.U. not available above 2500 watts or in 480 V. Short & Tall models are factory wired for three phase service and are field converted to single phase.

Element Availability Schedule	Wattage				
	120V	208V	240V	277V	480V
C-1500	Yes	Yes	Yes	Yes	N/A
D-1650	N/A	N/A	N/A	N/A	N/A
E-2000	Yes	Yes	Yes	Yes	N/A
F-2500	Yes	Yes	Yes	Yes	Yes
G-3000	Yes	Yes	Yes	Yes	Yes
H-3500	N/A	Yes	Yes	N/A	N/A
J-4000	N/A	Yes	Yes	Yes	Yes
K-4500	N/A	Yes	Yes	Yes	Yes
M-5000	N/A	Yes*	Yes*	N/A	Yes*
N-5500	N/A	N/A	Yes*	N/A	N/A
P-6000	N/A	Yes	Yes	Yes	Yes

Recovery Rate (GPH @ °F)	Recovery Rate (GPH @ °F)			
	40°F	70°F	100°F	130°F
16	9	6	5	
17	10	7	5	
21	12	8	6	
26	15	10	8	
31	18	12	10	
36	21	14	11	
41	24	17	13	
47	27	19	14	
52	30	21	16	
57	32	23	17	
62	35	25	19	

Notes: Max Wattage for EJ-006 is 3000W
* Indicates Not Available for EJ-010 and EJ-015



Lochinvar, LLC
300 Maddox Simpson Parkway
Lebanon, Tennessee 37090
P: 615.889.8900 / F: 615.547.1000
Lochinvar.com

