



**Lochinvar**<sup>®</sup>  
HIGH EFFICIENCY BOILERS & WATER HEATERS

Ultra Low NOx  
Charger  
Commercial Gas  
Submittal Sheet

CLN-Sub-02

**ULTRA LOW NOX CHARGER COMMERCIAL GAS WATER HEATERS**

**JOB NAME** \_\_\_\_\_

**LOCATION** \_\_\_\_\_

**ENGINEER** \_\_\_\_\_

**WHOLESALE** \_\_\_\_\_

**MECH. CONTRACTOR** \_\_\_\_\_

**MODEL NO.** \_\_\_\_\_

**TYPE GAS** \_\_\_\_\_

**Btu/hr INPUT** \_\_\_\_\_

**RECOVERY RATE IN GPH** \_\_\_\_\_ @ \_\_\_\_\_ °F RISE

**GALLON CAPACITY** \_\_\_\_\_

**NOTES**

---

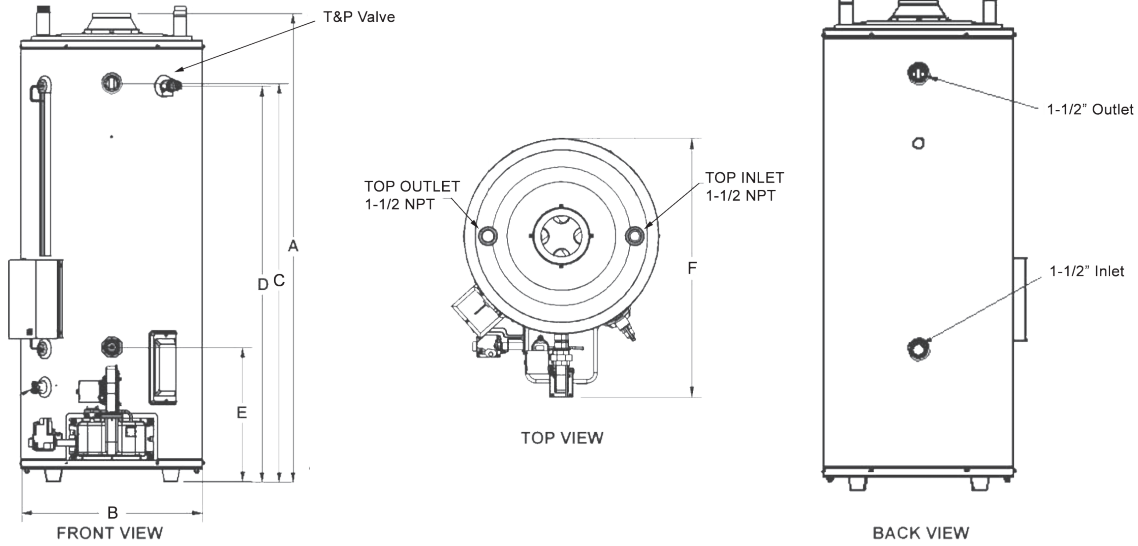
**Standard Features**

- 80% Thermal Efficiency
- Meets SCAQMD Rule 1146.2
- Multi-Flue Design
- Glass Lined Tank
- 150 PSI Working Pressure
- Tank Saver Anode
- ASME Temperature & Pressure Relief Valve
- Automatic Reset High Limit
- Spark Ignition
- 180°F Operation Approved
- Combustible Floor Approved
- Steel Jacket with Foam Insulation
- Hand Hole Cleanout
- Slide Out Burner Tray
- Rated Up to 10,000 Ft. Altitude
- 3 Year Limited Warranty on Tank
- 1 Year Limited Warranty on Parts

**Optional Equipment:**

UL Sanitation

# Dimensions & Specifications



Model Number	Btu/hr Input	Capacity Gallons	GPH @ 100°F Rise	A	B	C	D	E	F	Vent Size	Gas Conn	Water Conn	Shipping Weight	Shipping Weight (ASME)
CLN120 080	120,000	81	115	63-3/4"	27-3/4"	53"	52-3/4"	20-3/4"	37"	6"	3/4"	1-1/2"	605	-
CLN154 080	154,000	81	148	63-3/4"	27-3/4"	53"	52-3/4"	20-3/4"	37"	6"	3/4"	1-1/2"	605	-
CLN180 080	180,000	81	173	63-3/4"	27-3/4"	53"	52-3/4"	20-3/4"	37"	6"	3/4"	1-1/2"	605	-
CLN199 100	199,000	100	191	71-3/4"	27-3/4"	61"	60-3/4"	20-1/2"	37"	6"	3/4"	1-1/2"	665	-
CLN250 100(A)	250,000	100	240	71-3/4"	27-3/4"	61"	60-3/4"	20-1/2"	37"	6"	3/4"	1-1/2"	665	715
CLN275 100(A)	275,000	100	264	71-3/4"	27-3/4"	61"	60-3/4"	20-1/2"	37"	6"	3/4"	1-1/2"	665	715
CLN310 085(A)	310,000	86	298	71-3/4"	27-3/4"	61"	60-3/4"	20-1/2"	37"	6"	3/4"	1-1/2"	740	790
CLN366 085(A)	366,000	86	352	71-3/4"	27-3/4"	61"	60-3/4"	20-1/2"	37"	6"	3/4"	1-1/2"	740	790
CLN400 085(A)	390,000	86	375	71-3/4"	27-3/4"	61"	60-3/4"	20-1/2"	37"	6"	3/4"	1-1/2"	740	790

A = ASME Construction

In the model number, "N" indicates Natural gas; replace "N" with "L" to indicate L.P. gas models.

See the installation manual for dimensional information on Top and Back Tappings



Lochinvar, LLC  
 300 Maddox Simpson Parkway  
 Lebanon, Tennessee 37090  
 P: 615.889.8900 / F: 615.547.1000  
 Lochinvar.com

