



Light Service Electric Water Heaters

Light Service Electric Models

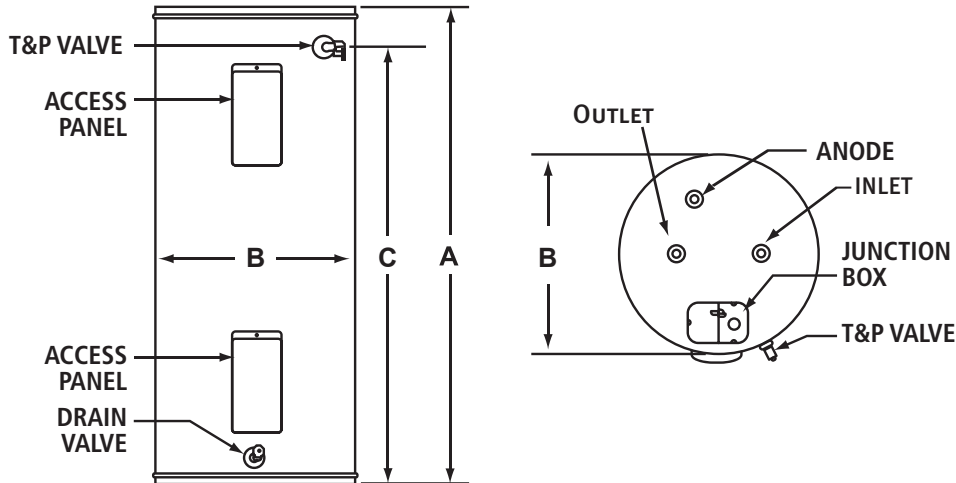
Lochinvar's 66, 80 and 119 gallon light service electric water heaters offer a wide range of voltages and wattages and is ideal for low draw applications.

Standard Features

- **Non-Simultaneous or Simultaneous Wiring** - Wired for non-simultaneous operation standard. Simultaneous operation is optional.
- **Glass-Lined Steel Tank** - The durable glass lining is fused to the tank at 1600°F to assure lasting protection against rust and corrosion while providing clean, clear hot water. 300 psi test pressure provides 150 psi working pressure.
- **Non-CFC Foam Insulation** - Superior material formulation provides uniform tank coverage with a thick blanket of insulating foam. This non-CFC polyurethane closed cell foam minimizes standby losses and maximizes heat retention.
- **Adjustable Thermostats** - The 120°F to 181°F control provides an easy way to reset water temperature for best economy.
- **Automatic Overheat Protection** - Provides automatic overheat safety control with manual reset high limit feature.
- **Tank Saver Anode** - A large diameter, high capacity anode inhibits corrosion of the tank interior for long, trouble-free service.
- **ASME Temperature & Pressure Relief Valve** - Factory installed.
- **3-Year Limited Tank Warranty, 1-Year Limited Parts Warranty** – See warranty for details.



Dimensions & Specifications



Model Number	Gallon Capacity	A	B	C	Shipping Weight
Tall Models					
ETA066KD	66	60-1/4"	22"	53"	146
ETA082KD	80	60-1/2"	24"	52-1/4"	175
ETA119KD	119	61-1/2"	28"	54-1/2"	268

Notes - 3/4" water connections on 8" center

Element Schedule Sim & Non-Simultaneous		
Wattage	208V	240V
C- 1500	Yes	Yes
E- 2000	Yes	Yes
F- 2500	Yes	Yes
G- 3000	Yes	Yes
H- 3500	Yes	Yes
J- 4000	Yes	Yes
K- 4500	Yes	Yes
M- 5000	Yes	Yes
N- 5500	N/A	Yes

Voltage Schedule		
J	208V	1 PH
A	240V	1 PH
T	208V	1 PH (Simultaneous)
P	240V	1 PH (Simultaneous)

Element	Wattage	Recovery Rate (GPH @ °F Rise)			
		40°F	70°F	100°F	130°F
C	1500	16	9	6	5
E	2000	21	12	8	6
F	2500	26	15	10	8
G	3000	31	18	12	10
H	3500	36	21	14	11
J	4000	41	24	17	13
K	4500	47	27	19	14
M	5000	52	30	21	16
N	5500	57	32	23	17

**For Ease in Ordering
by Model Number**

E T A 082 K D

MODEL TALL VOLTAGE TANK CAPACITY WATTAGE ELEMENT QUANTITY

This is a Tall Commercial Electric 240 volt model with a tank capacity of 80 gallons. The upper and lower elements are 4500 watts.

Notes: Double the values for simultaneous models.



Lochinvar, LLC
300 Maddox Simpson Parkway
Lebanon, Tennessee 37090
P: 615.889.8900 / F: 615.547.1000
Lochinvar.com

