



**Lochinvar**<sup>®</sup>  
HIGH EFFICIENCY BOILERS & WATER HEATERS

**LIGHT DUTY  
COMMERCIAL ELECTRIC  
WATER HEATER  
Submittal Sheet**

**CLS-Sub-01**

**LIGHT SERVICE COMMERCIAL ELECTRIC WATER HEATERS**

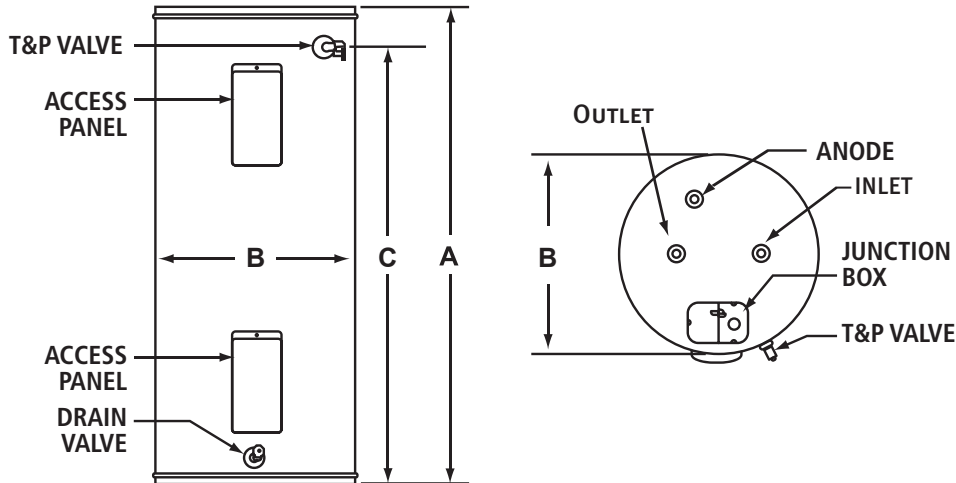
**JOB NAME** \_\_\_\_\_  
**LOCATION** \_\_\_\_\_  
**ENGINEER** \_\_\_\_\_  
**WHOLESALER** \_\_\_\_\_  
**MECH. CONTRACTOR** \_\_\_\_\_  
**MODEL NO.** \_\_\_\_\_  
**RECOVERY RATE IN GPH** \_\_\_\_\_ @ \_\_\_\_\_ °F RISE  
**GALLON CAPACITY** \_\_\_\_\_  
**VOLTAGE/PHASE** \_\_\_\_\_  
**KW** \_\_\_\_\_  
**NOTES**

---

**Standard Features**

- Non-Simultaneous or Simultaneous Wiring
- Glass-Lined Steel Tank
- Non-CFC Foam Insulation
- Adjustable Thermostats
- Automatic Overheat Protection
- Tank Saver Anode
- ASME Temperature and Pressure Relief Valve
- 3 Year Limited Tank Warranty, 1 Year Limited Parts Warranty  
(See warranty for details)

# Dimensions & Specifications



Model Number	Gallon Capacity	A	B	C	Shipping Weight
<b>Tall Models</b>					
ETA066KD	66	60-1/4"	22"	53"	146
ETA082KD	80	60-1/2"	24"	52-1/4"	175
ETA119KD	119	61-1/2"	28"	54-1/2"	268

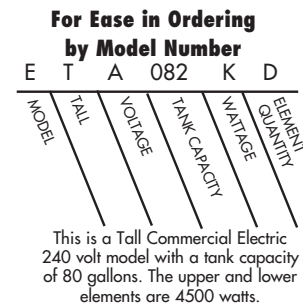
Notes - 3/4" water connections on 8" center

Voltage Schedule		
J	208V	1 PH
A	240V	1 PH
T	208V	1 PH (Simultaneous)
P	240V	1 PH (Simultaneous)

Element Schedule Sim & Non-Simultaneous		
Wattage	208V	240V
C- 1500	Yes	Yes
E- 2000	Yes	Yes
F- 2500	Yes	Yes
G- 3000	Yes	Yes
H- 3500	Yes	Yes
J- 4000	Yes	Yes
K- 4500	Yes	Yes
M- 5000	Yes	Yes
N- 5500	N/A	Yes

Element	Wattage	Recovery Rate ( GPH @ °F Rise)			
		40°F	70°F	100°F	130°F
C	1500	16	9	6	5
E	2000	21	12	8	6
F	2500	26	15	10	8
G	3000	31	18	12	10
H	3500	36	21	14	11
J	4000	41	24	17	13
K	4500	47	27	19	14
M	5000	52	30	21	16
N	5500	57	32	23	17

Notes: Double the values for simultaneous models.



Lochinvar, LLC  
300 Maddox Simpson Parkway  
Lebanon, Tennessee 37090  
P: 615.889.8900 / F: 615.547.1000  
Lochinvar.com

