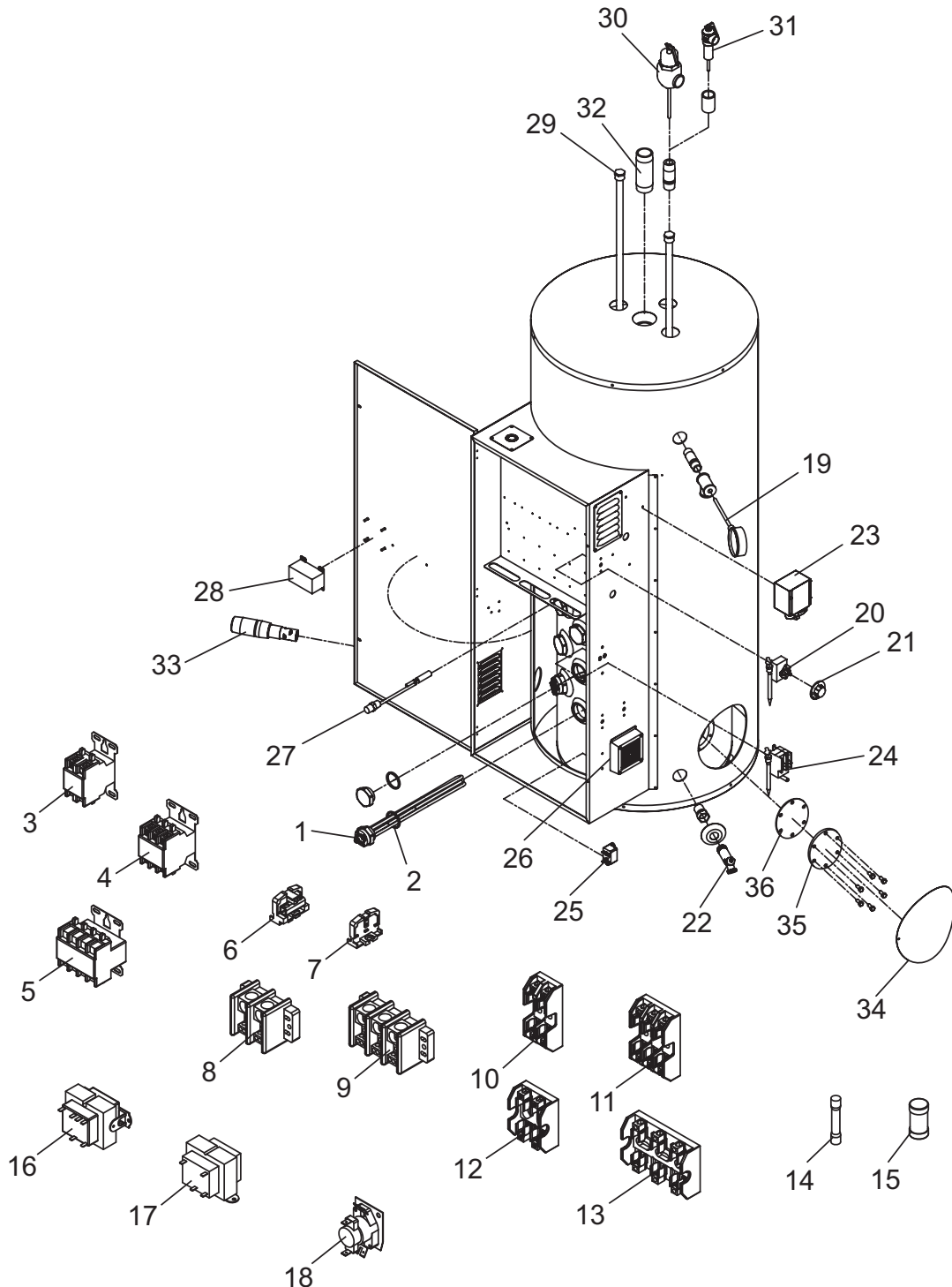




Replacement Parts List

PARTS AND SERVICE DEPARTMENT
 Nashville, Tennessee
 615-889-8900 • Fax: 615-547-1000
 www.Lochinvar.com

**COMMERCIAL ELECTRIC
 Compact ASME**



ITEM NO.	PART NO.	DESCRIPTION	MODEL NO.		
1	SEE TABLE	ELEMENT	ALL		
2	GKT1501	GASKET, ELEMENT	ALL		
ELEMENT TABLE					
	WATTAGE	208V PART NO.	240V PART NO.	277V PART NO.	380V PART NO.
	1000	--	--	--	--
	2000	ELE1513	ELE1522	ELE10009	ELE10030
	3000	ELE1505	ELE1508	ELE1515	ELE10031
	4000	ELE1506	ELE1158	ELE10010	ELE10032
	4500	ELE10007	ELE10005	ELE10011	ELE10033
	5000	ELE1521	ELE10006	ELE10012	ELE1514
	6000	ELE10004	ELE10007	ELE10013	ELE10035
	9000	ELE1518	ELE10008	ELE10014	ELE10034
	WATTAGE	400V PART NO.	415V PART NO.	480V PART NO.	600V PART NO.
	1000	ELE10036	--	--	--
	2000	ELE10000	ELE10015	ELE1504	ELE10023
	3000	ELE10037	ELE10016	ELE1512	ELE10024
	4000	ELE10038	ELE10017	ELE1466	ELE10025
	4500	ELE10039	ELE10018	ELE1503	ELE10026
	5000	--	ELE10019	ELE1511	ELE10027
	6000	--	ELE10020	ELE1467	ELE10028
	9000	--	ELE10021	ELE1509	ELE10029
CONTACTORS					
3	CTR1305	CONTACTOR 2 POLE (35A)	ALL		
3	CTR10001	CONTACTOR 2 POLE (50A)	ALL		
4	CTR1301	CONTACTOR 3 POLE (35A)	ALL		
4	CTR1304	CONTACTOR 3 POLE (50A)	ALL		
5	CTR1307	CONTACTOR 4 POLE (35A)	ALL		
5	CTR10002	CONTACTOR 4 POLE (50A)	ALL		
TERMINAL BLOCKS					
6	BLK1053	TERMINAL BLOCK (BLOCK A)	ALL		
7	BLK1054	TERMINAL BLOCK END (USED FOR BLOCK A)	ALL		
8	BLK10007	TERMINAL BLOCK (2 POLE)	ALL		
9	BLK10008	TERMINAL BLOCK (3 POLE)	ALL		
FUSE BLOCKS					
10	BLK10002	FUSE BLOCK 2 POLE G CLASS (60A, 480V)	ALL		
11	BLK10000	FUSE BLOCK 3 POLE G CLASS (60A, 480V)	ALL		
12	BLK10003	FUSE BLOCK 2 POLE T CLASS (30A, 600V)	ALL		
12	BLK10004	FUSE BLOCK 2 POLE T CLASS (60A, 600V)	ALL		
13	BLK10005	FUSE BLOCK 3 POLE T CLASS (60A, 600V)	ALL		
13	BLK10006	FUSE BLOCK 3 POLE T CLASS (30A, 600V)	ALL		
FUSES					
14	FUS1049	FUSE G CLASS (40A)	ALL		
14	FUS10000	FUSE G CLASS (50A)	ALL		
14	FUS10003	FUSE G CLASS (60A)	ALL		
15	FUS1044	FUSE T CLASS (30A)	ALL		
15	FUS10004	FUSE T CLASS (40A)	ALL		
15	FUS10005	FUSE T CLASS (50A)	ALL		
TRANSFORMERS					
16	TRF1017	CONTROL CIRCUIT TRANSFORMER 60VA (208/240/480 VAC)	ALL		
16	TRF1100	CONTROL CIRCUIT TRANSFORMER 60VA (277/380/415 VAC)	ALL		
17	TRF10002	CONTROL CIRCUIT TRANSFORMER 60VA (600 VAC)	ALL		
PLEASE HAVE MODEL NUMBER AND SERIAL NUMBER WHEN ORDERING PARTS					

ITEM NO.	PART NO.	DESCRIPTION	MODEL NO.
MISCELLANEOUS			
18	RLY1000	TIME DELAY SEQUENCER	ALL
19	GTP1159	GAUGE, T & P	OPTIONAL
20	TST1201	THERMOSTAT IMMERSION	ALL
21	TST1098	THERMOSTAT DIAL	ALL
22	DRV1500	DRAIN VALVE	ALL
23	PRS10007	PRESSURE SWITCH, HIGH	OPTIONAL
23	PRS10008	PRESSURE SWITCH, LOW	OPTIONAL
24	HLC1200	HIGH LIMIT	ALL
25	RLY10007	ALARM HORN RELAY	OPTIONAL
26	MSC10015	ALARM HORN	OPTIONAL
27	WTR10026	LOW WATER CUT OFF SWITCH	OPTIONAL
28	MSC10016	ELECTRICAL DOOR LOCK	OPTIONAL

ITEM NO.	DESCRIPTION	MODEL / PART NUMBERS			
		HC*KW-06A	HC*KW-12A	HC*KW-20A	HC*KW-30A
29	ANODE ROD, MAGNESIUM	WTR10027	WTR10027	WTR10028	WTR10029
29	ANODE ROD, ALUMINUM	WTR10031	WTR10031	WTR10032	WTR10033
30	RELIEF VALVE, T & P (FEMALE THREADS) 3/4"	---	---	---	RLV1011
31	RELIEF VALVE, T & P (MALE THREADS) 3/4"	RLV10004	RLV10004	RLV10004	---
32	NIPPLE, HOT WATER OUTLET	WTR10034	WTR10034	WTR10034	WTR10034
33	NIPPLE, COLD WATER INLET	WTR10036	WTR10036	WTR10036	WTR10036
34	CLEANOUT COVER, OUTER	---	---	WTR10038	WTR10038
35	CLEANOUT COVER, INNER	---	---	WTR1039	WTR1039
36	CLEAN OUT COVER GASKET	---	---	GKT2101	GKT2101

ITEM NO.	DESCRIPTION	MODEL / PART NUMBERS			
		HC*KW-40A	HC*KW-50A	HC*KW-80A	HC*KW-120A
29	ANODE ROD, MAGNESIUM	WTR10030	WTR1085	WTR1515	WTR1515
29	ANODE ROD, ALUMINUM	WTR1202	WTR1202	WTR1041	WTR1041
30	RELIEF VALVE, T & P (FEMALE THREADS) 3/4"	RLV1011	---	---	---
31	RELIEF VALVE, T & P (FEMALE THREADS) 1"	---	RLV1003	RLV1003	RLV1003
32	NIPPLE, HOT WATER OUTLET	WTR10034	WTR10035	WTR10035	WTR10035
33	NIPPLE, COLD WATER INLET	WTR10036	WTR10037	WTR10037	WTR10037
34	CLEANOUT COVER, OUTER	WTR10038	WTR1024	WTR1024	WTR1024
35	CLEANOUT COVER, INNER	WTR1039	WTR1039	WTR1039	WTR1039
36	CLEAN OUT COVER GASKET	GKT2101	GKT2101	GKT2101	GKT2101

PLEASE HAVE MODEL NUMBER AND SERIAL NUMBER WHEN ORDERING PARTS

