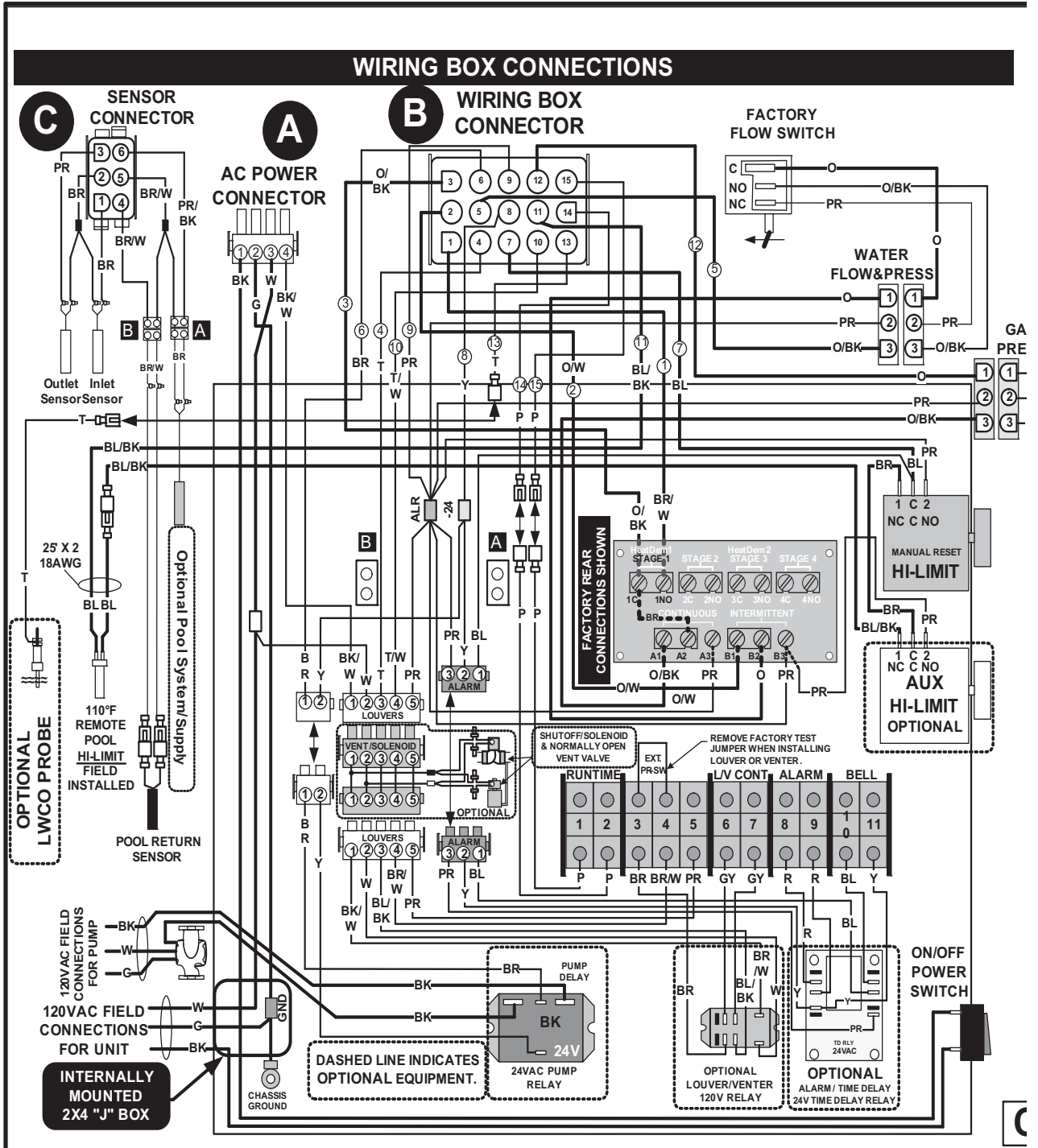


COPPER-FIN II® COMMERCIAL POOL HEATERS WIRING DIAGRAMS

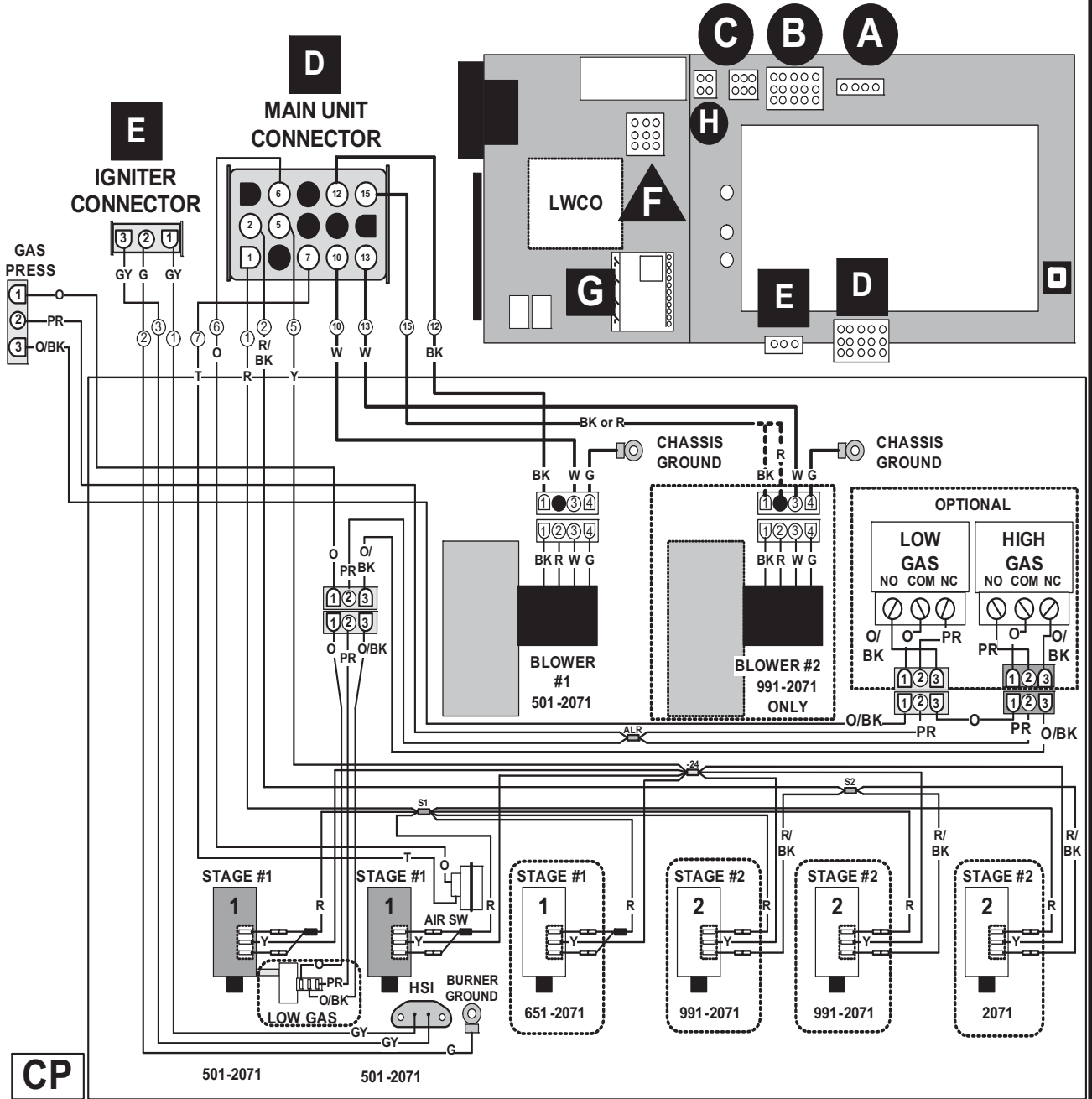
WIRING BOX CONNECTIONS - WIRING DIAGRAM B MODELS CP 501 - 2071



CONNECTION DIAGRAM B

WIRING BOX CONNECTIONS - WIRING DIAGRAM B (CONTINUED)
MODELS CP 501 - 2071

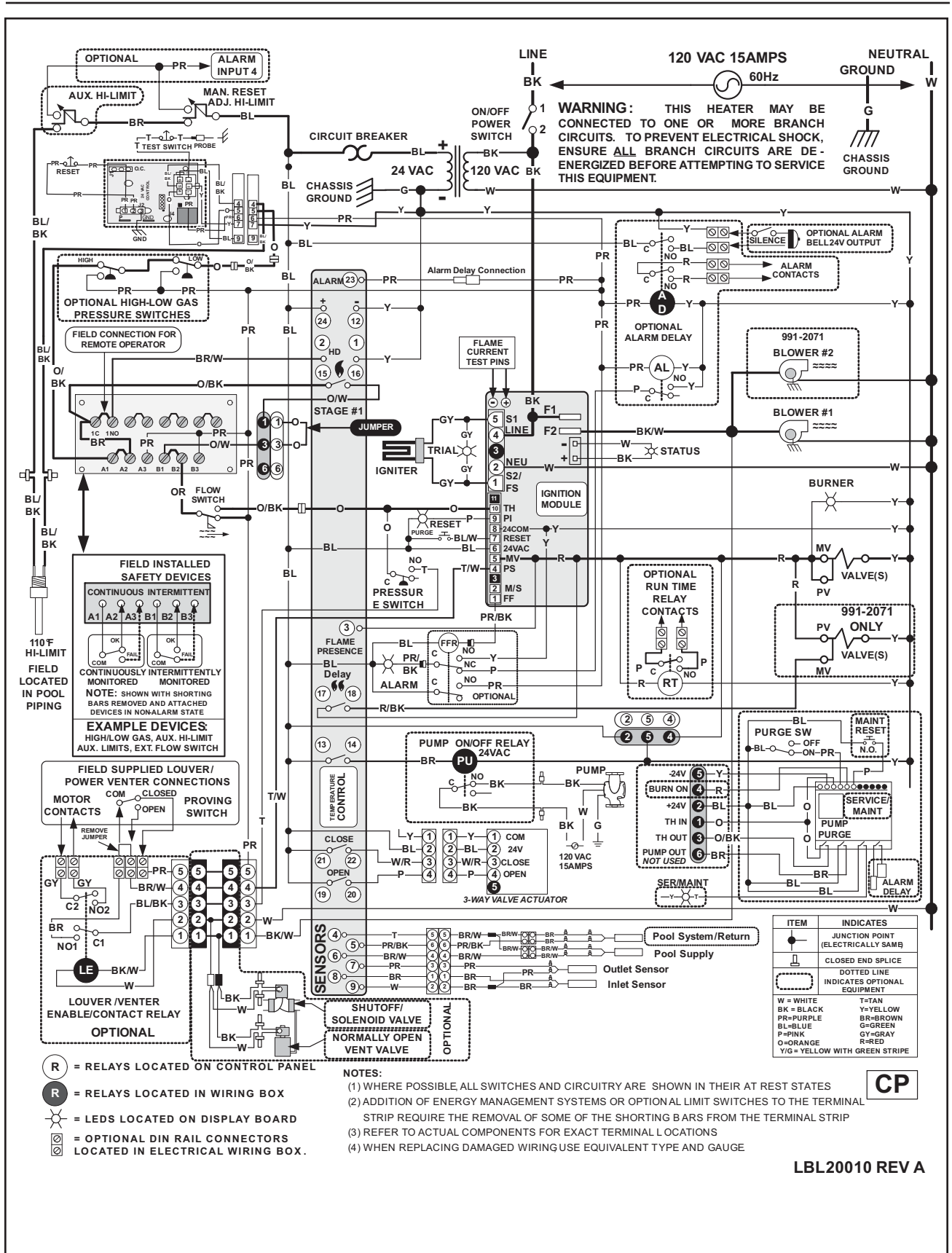
MAIN UNIT CONNECTIONS



CP

LBL2296 Rev A

LADDER DIAGRAM MODELS CP 501 - 2071



CONTROL BOX CONNECTIONS MODELS CP 501 - 2071

