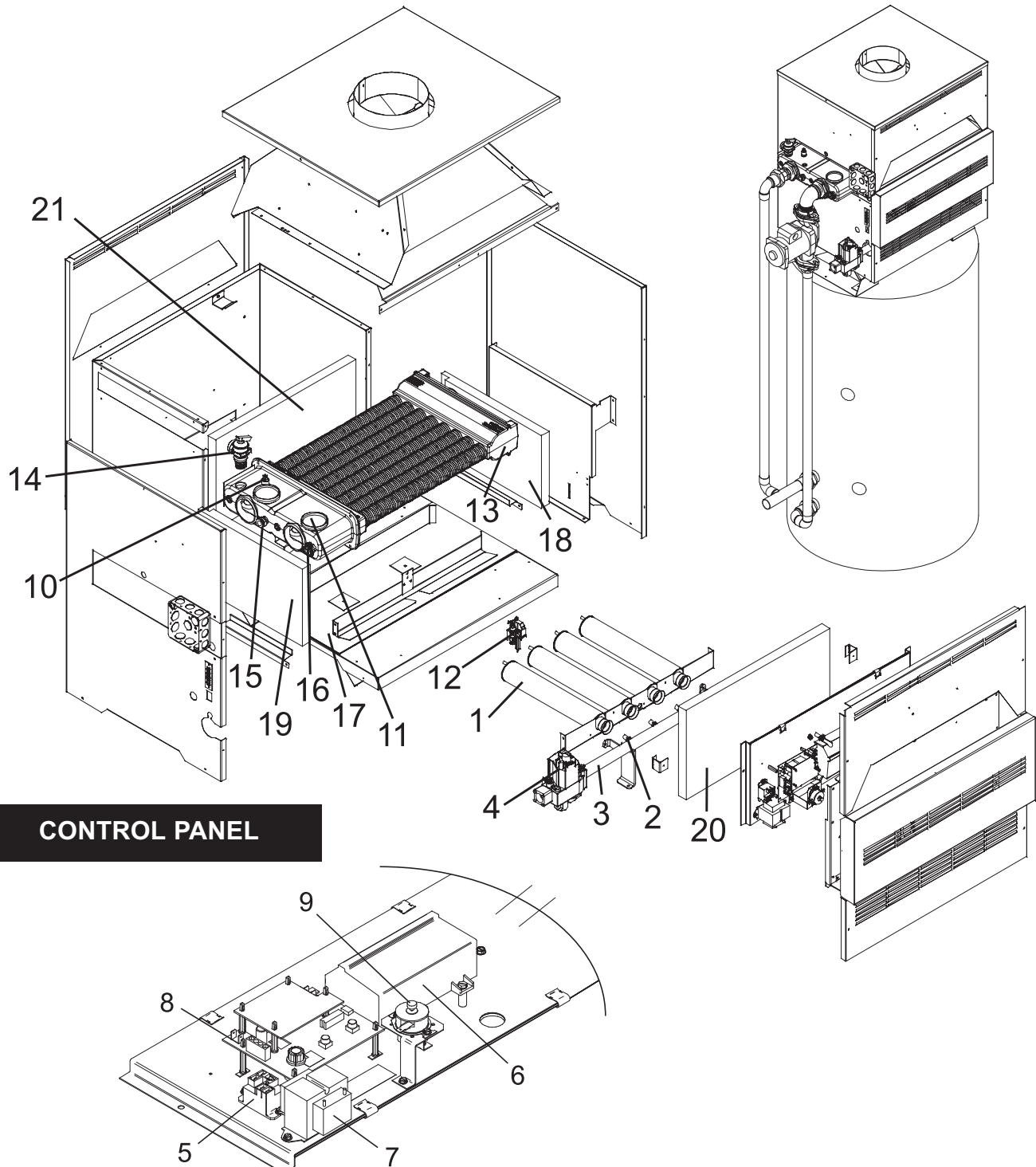




**PARTS AND SERVICE DEPARTMENT**  
 Nashville, Tennessee  
 615-889-8900 • Fax: 615-547-1000  
 www.Lochinvar.com

## Replacement Parts List

### Copper-Pak® Water Heaters & Storage Tank



ITEM NO.	PART NO.	DESCRIPTION	MODEL NO.												
<b>BURNERS</b>															
1	BNR2903	MAIN BURNER	<table border="1"> <thead> <tr> <th>Model</th> <th>Quantity</th> <th>Model</th> <th>Quantity</th> </tr> </thead> <tbody> <tr> <td>180</td> <td>4 ea</td> <td>270</td> <td>6 ea</td> </tr> <tr> <td>199</td> <td>5 ea</td> <td>360</td> <td>8 ea</td> </tr> </tbody> </table>	Model	Quantity	Model	Quantity	180	4 ea	270	6 ea	199	5 ea	360	8 ea
			Model	Quantity	Model	Quantity									
			180	4 ea	270	6 ea									
199	5 ea	360	8 ea												
<b>GAS TRAIN ASSEMBLIES</b>															
2	ORF2419	ORIFICE, MAIN BNR. NAT. 3.2MM	ALL CPN												
2	ORF2402	ORIFICE, MAIN BNR. LPG. 2.0MM	ALL CPL												
3	MAN2937	GAS MANIFOLD	CP180												
3	MAN2938	GAS MANIFOLD	CP199												
3	MAN2939	GAS MANIFOLD	CP270												
3	MAN2941	GAS MANIFOLD	CP360												
4	VAL2920	GAS VALVE, NAT. F1	CPN180 & 270												
4	VAL2927	GAS VALVE, NAT. F1	CPN199												
4	VAL2921	GAS VALVE, LPG. F1	CPL180 & 270												
4	VAL4936	GAS VALVE, LPG. F1	CPL199												
4	VAL2928	GAS VALVE, NAT. F9	CPN180, 270 & 360												
4	VAL4934	GAS VALVE, NAT. F9	CPN199												
4	VAL2929	GAS VALVE, LPG. F9	CPL180, 270 & 360												
4	VAL4935	GAS VALVE, LPG. F9	CPL199												
<b>CONTROLS &amp; GAUGES</b>															
5	RLY2052	RELAY, PUMP	ALL CP												
6	RLY3007	IGNITION MODULE	ALL F9 CP												
7	TRF2002	TRANSFORMER 50V.A.	ALL CP												
8	TST5314	THERMOSTAT BOARD	ALL CP												
9	KIT3117	OVERHEAT, LIMIT MANUAL RESET	ALL CP												
10	HLC2303	HIGH LIMIT	ALL CP												
11	GTP3000	TEMP, GAUGE	ALL CP												
12	PLT2016	PILOT, INTERMITTENT, NAT. F1	CPN180, 199 & 270												
12	PLT3028	PILOT, INTERMITTENT, LP. F1	CPL180, 199 & 270												
12	PLT2908	PILOT, INTERMITTENT, NAT. F9	ALL F9 CPN												
12	PLT2909	PILOT, INTERMITTENT, LP. F9	ALL F9 CPL												
-	PLT2904	THERMOCOUPLE F-1	CP180, 199 & 270												
-	HLC2906	ROLLOUT SWITCH 200 DEG	CP199												
-	HLC2903	ROLLOUT SWITCH 250 DEG	CP180 & 360												
-	HLC2908	ROLLOUT SWITCH 220 DEG	CP270												
-	HLC2903	SPILL SWITCH 250 DEG	CP199												
-	HLC2906	SPILL SWITCH 200 DEG	CP270												
-	HLC2908	SPILL SWITCH 280 DEG	CP180 & 360												
-	TST2032	TEMPERATURE SENSOR	ALL CP												
<b>HEAT EXCHANGERS</b>															
13	HEX3923	HEAT EXCHANGER	CP180												
13	HEX3924	HEAT EXCHANGER	CP199												
13	HEX3927	HEAT EXCHANGER	CP270												
13	HEX3926	HEAT EXCHANGER	CP360												
-	JKR2062	V-BAFFLE	CP180												
-	JKR2179	V-BAFFLE	CP199												
-	JKR2180	V-BAFFLE	CP270												
-	JKR2182	V-BAFFLE	CP360												
14	RLV2006	RELIEF VALVE, T&P	ALL CP												
15	TST2301	BULBWELL	ALL CP												
16	TST2306	BULBWELL	ALL CP												

ITEM NO.	PART NO.	DESCRIPTION	MODEL NO.
<b>LOCH-HEAT® TILE</b>			
17	FIB2966	INSULATION, BOTTOM	CP180
17	FIB2967	INSULATION, BOTTOM	CP199
17	FIB2968	INSULATION, BOTTOM	CP270
17	FIB2970	INSULATION, BOTTOM	CP360
18	FIB2973	LOCH-HEAT TILE, SIDE RIGHT	ALL CP
19	FIB2942	LOCH-HEAT TILE, SIDE LEFT	ALL CP
20	FIB2949	LOCH-HEAT TILE, FRONT	CP180
20	FIB2951	LOCH-HEAT TILE, FRONT	CP199
20	FIB2953	LOCH-HEAT TILE, FRONT	CP270
20	FIB2957	LOCH-HEAT TILE, FRONT	CP360
21	FIB2950	LOCH-HEAT TILE, BACK	CP180
21	FIB2952	LOCH-HEAT TILE, BACK	CP199
21	FIB2954	LOCH-HEAT TILE, BACK	CP270
21	FIB2958	LOCH-HEAT TILE, BACK	CP360
<b>PUMPS</b>			
-	ARM3045PAB	PUMP, WTR. HEATER	ALL CP
<b>OPTIONS (Not Pictured)</b>			
-	DRH2937	FLUE DAMPER - 7"	CP180 & 199
-	DRH2938	FLUE DAMPER - 8"	CP270
-	DRH2939	FLUE DAMPER - 10"	CP360
-	KIT3052	ADJUSTABLE MRHL	ALL CP
-	KIT3053	CONTACTS ON ANY FAILURE	CP360
-	KIT3054	LOUVER CONTACTS	CP360
-	KIT3056	HIGH PRESSURE AUTO RESET LWCO	ALL CP
-	WTR20009	MRLWCO W/TEST	ALL CP
-	LPK3911	NAT-LP CONVERSION KIT-F1	CP180 & 270
-	LPK3931	NAT-LP CONVERSION KIT-F1	CP199
-	LPK3913	NAT-LP CONVERSION KIT-F9	CP180, 270 & 360
-	LPK3934	NAT-LP CONVERSION KIT-F9	CP199
<b>WATER STORAGE TANKS</b>			
-	WTR2505	ANODE, MAGNESIUM	ALL
-	WTR1046	ANODE, ALUMINUM	OPTIONAL
-	RJS085	TANK, COMPLETE	ALL 085
-	RJS100	TANK, COMPLETE	ALL 100
-	MSC2050	TUBE BAFFLE, INLET	ALL
-	TST2032	TANK SENSOR	ALL
-	DRV2508	DRAIN VALVE	ALL
<b>NOTE: CP = POOL HEATER</b>			
<b>PLEASE HAVE MODEL NUMBER AND SERIAL NUMBER WHEN ORDERING PARTS.</b>			

