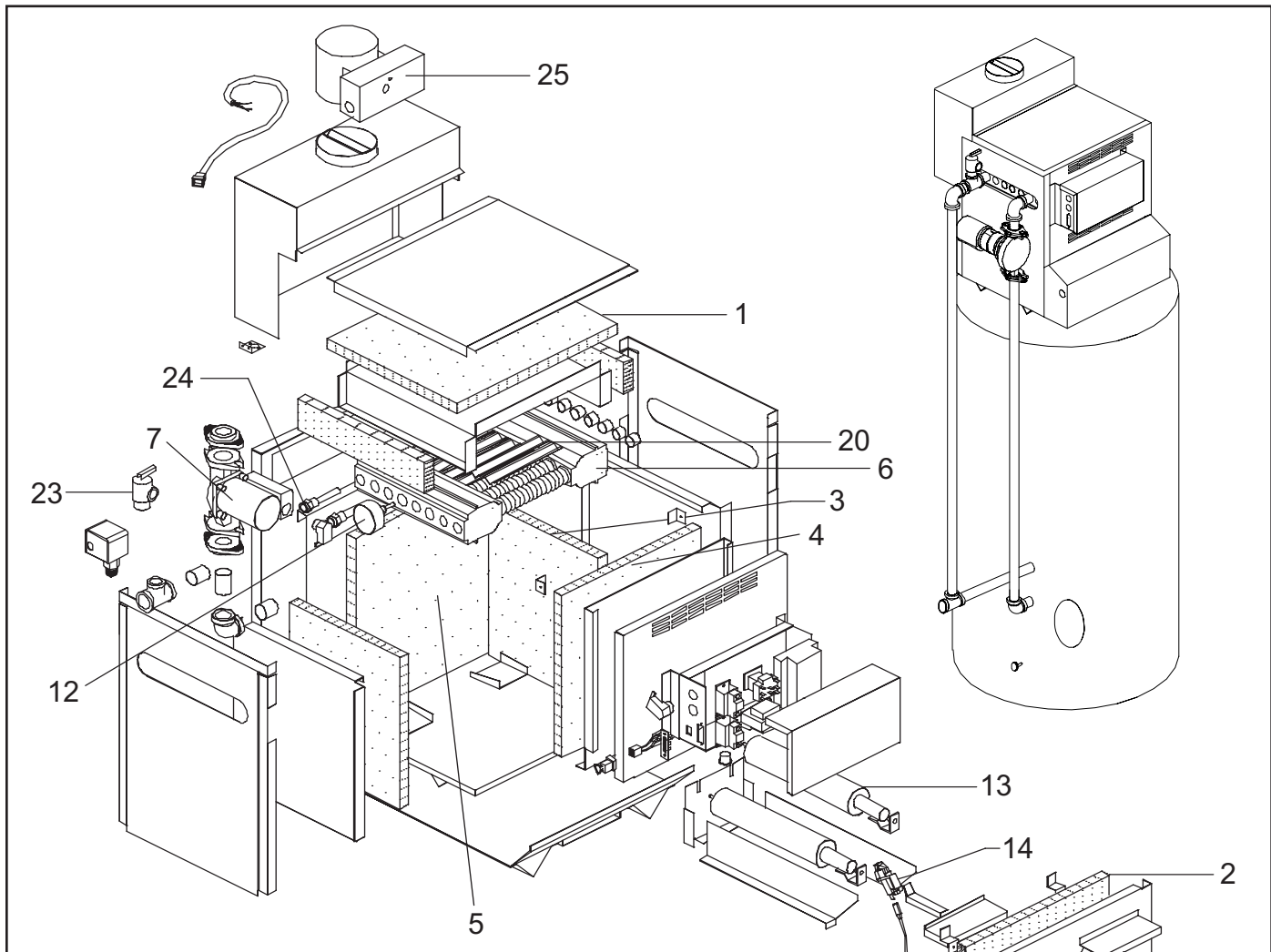




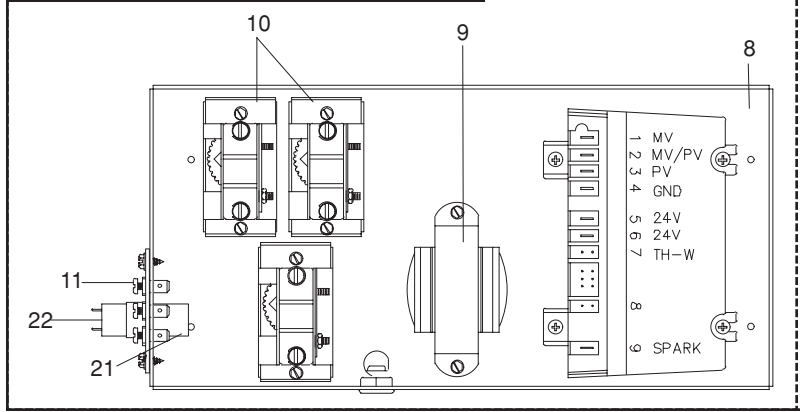
**PARTS DEPOT**  
 Nashville, Tennessee  
 615-889-8900 • Fax: 615-547-1000  
 www.Lochinvar.com

# Replacement Parts List

## Copper-Pak® Water Heaters & Storage Tank RW Models



### CONTROL PANEL ASSEMBLY



ITEM NO.	PART NO.	DESCRIPTION	MODEL NO.
<b>LOCH-HEAT TILE</b>			
1	FIB2912	LOCH-HEAT TILE, TOP	180
1	FIB2926	LOCH-HEAT TILE, TOP	199
1	FIB2927	LOCH-HEAT TILE, TOP	270
1	FIB2929	LOCH-HEAT TILE, TOP	360
2	FIB2904	LOCH-HEAT TILE, FILLER	180
2	FIB2918	LOCH-HEAT TILE, FILLER	199
2	FIB2919	LOCH-HEAT TILE, FILLER	270
2	FIB2921	LOCH-HEAT TILE, FILLER	360
3	FIB2900	LOCH-HEAT TILE, SIDE	ALL
4	FIB2908	LOCH-HEAT TILE, FRONT	180
4	FIB2922	LOCH-HEAT TILE, FRONT	199
4	FIB2923	LOCH-HEAT TILE, FRONT	270
4	FIB2925	LOCH-HEAT TILE, FRONT	360
5	FIB2916	LOCH-HEAT TILE, BACK	180
5	FIB2930	LOCH-HEAT TILE, BACK	199
5	FIB2931	LOCH-HEAT TILE, BACK	270
5	FIB2933	LOCH-HEAT TILE, BACK	360
<b>HEAT EXCHANGERS</b>			
6	HEX3047	HEAT EXCHANGER, HLW (After serial #F006936)	180
6	HEX3048	HEAT EXCHANGER, HLW (After serial #F006936)	199
6	HEX3049	HEAT EXCHANGER, HLW (After serial #F006936)	270
6	HEX3051	HEAT EXCHANGER, HLW (After serial #F006936)	360
6	HEX3807	HEAT EXCHANGER, H (Before serial #F006936)	180
6	HEX3808	HEAT EXCHANGER, H (Before serial #F006936)	199
6	HEX3809	HEAT EXCHANGER, H (Before serial #F006936)	270
6	HEX3811	HEAT EXCHANGER, H (Before serial #F006936)	360
<b>PUMP</b>			
7	ARM3045PAB	PUMP (Std. After Serial # L01)	ALL
7	ARM3045PBF	PUMP (Before Serial # L01)	ALL
<b>CONTROLS</b>			
8	RLY2023	IGNITION MODULE	ALL F9's
9	TRF2004	TRANSFORMER 50V.A.	ALL
10	TST3920	OPERATOR	ALL
10	TST3910	LIMIT	ALL
10	TST3911*	HIGH LIMIT	ALL
10	TST2600	OVERHEAT, LIMIT MANUAL RESET (RW F-1, From serial # F966719)	RW (F-1)
11	MSC2320	TERMINAL BOARD	ALL
12	GTP3000	TEMPERATURE GAUGE	ALL
-	RLY2714	RELAY, ADJUSTABLE (F1's ONLY) [RW F-1, To serial #F966718]	RW (F-1)
-	RLY2903	RELAY, 24V. (F1's ONLY) [RW F-1, To serial # F966718]	RW (F-1)
<b>PILOT &amp; BURNER ASSEMBLIES</b>			
13	BNR2902	MAIN BURNER	ALL
14	PLT2016	PILOT, BNR, NAT. F1	180 - 270
14	PLT2017	PILOT, BNR, LPG. F1	180 - 270
14	PLT2905	PILOT, BNR, NAT. F9/M9's	ALL
14	PLT2907	PILOT, BNR, LPG. F9/M9's	ALL
16	ORF2904	ORIFICE, MAIN BNR. NAT.	ALL
16	ORF2901	ORIFICE, MAIN BNR. LPG.	ALL
17	WRE2030	IGNITION CABLE F9/M9's	ALL
18	PLT2903	THERMOCOUPLE	180
18	PLT2904	THERMOCOUPLE	199 - 270
<b>GAS VALVES</b>			
19	VAL2920	GAS VALVE, NAT. F1	180 & 270
19	VAL2927	GAS VALVE, NAT. F1	199
19	VAL2921	GAS VALVE, LPG. F1	180 - 270
19	VAL2928	GAS VALVE, NAT. F9	ALL
19	VAL2929	GAS VALVE, LPG. F9	ALL
19	VAL2930	GAS VALVE, NAT. M9	ALL
19	VAL2933	GAS VALVE, LPG. M9	ALL
<b>WATER STORAGE TANK</b>			
-	WTR1013	ANODE, MAGNESIUM	ALL
-	WTR1041	ANODE, ALUMINUM	OPTIONAL
-	WTR1016	HANDHOLE CLEANOUT COVER	ALL
-	GKT1010	GASKET, HANDHOLE	ALL
-	RJS-085	TANK, COMPLETE	ALL 085
-	RJS-100	TANK, COMPLETE	ALL 100
-	MSC2050	TUBE BAFFLE, INLET	ALL
<b>MISCELLANEOUS</b>			
20	JKR2062	V-BAFFLE	180
20	JKR2179	V-BAFFLE	199
20	JKR2180	V-BAFFLE	270
20	JKR6182	V-BAFFLE	360
21	WRE2911	WIRE HARNESS F1	ALL
21	WRE2912	WIRE HARNESS F9	ALL
22	WRE2915	JUMPER PLUG	ALL
23	RLV2006	RELIEF VALVE, T & P	ALL
24	TST2301	BULB WELL	ALL
25	DRH2936	FLUE DAMPER 180 & 190	OPTIONAL
25	DRH2937	FLUE DAMPER 270	OPTIONAL
25	DRH2938	FLUE DAMPER 360	OPTIONAL
-	GLV3890	OUTLET TEE FOR ITEMS 24 & 25 (1.5" X .75" X 1.5") with 3/8" Tapping	ALL
-	LPK3901	NAT. TO LPG. CONV. KIT, F1 (NOTE: Manifold Gas Pressure = 7.7"W.C. on the 199)	OPTIONAL
-	LPK3904	NAT. TO LPG. CONV. KIT, F9 (NOTE: Manifold Gas Pressure = 7.7"W.C. on the 199)	OPTIONAL
-	TST2015	MANUAL RESET HI LIMIT	OPTIONAL
-	WTR2040	FLOW SWITCH	OPTIONAL
-	RLY2707	PUMP DELAY (Std. After Serial # L01)	ALL
-	WTR2528	LOW WATER CUT OFF	OPTIONAL
-	WTR2532	PROBE FOR LWCO	OPTIONAL
-	TST2006	TANKSTAT	OPTIONAL
-	TST2301	BULBWELL, TANKSTAT	OPTIONAL

\* Used on all RW F-9s PLEASE HAVE MODEL NUMBER AND SERIAL NUMBER WHEN ORDERING PARTS.