



**COPPER-FIN®
PACKAGE SYSTEMS
Submittal Sheet**

CWAP-Sub-02

COPPER-FIN® PREASSEMBLED GAS WATER HEATER PACKAGED SYSTEMS (CW90-500)

JOB NAME _____
LOCATION _____
ARCH./ENGR. _____
WHOLESALE _____
MECH. CONTRACTOR _____
MODEL NO. _____
TYPE GAS _____
BTU INPUT _____
RECOVERY RATE IN GPH _____ **@** _____ **°F RISE**
GALLON CAPACITY _____ **TANK LINING** _____
DIMENSIONS _____
NOTES

Standard Features

- 82% Thermal Efficiency
- Built-In Draft Diverter
- Stainless Steel Burners
- ASME Copper Finned Tube Heat Exchanger
- 160 psi Working Pressure
- Gasketless Heat Exchanger Design
- All Bronze Circulating Pump
- Pump Delay/Freeze Protection
- Remote Tank Thermostat
- Glass-Lined Water Surfaces
- Loch-Heat Ceramic Tile Combustion Chamber
- ASME Temperature & Pressure Relief Valve
- Manual Reset High Limit
- Automatic Reset High Limit
- 24 Volt Control System
- CSA Design Certified for Alcove Installation
- CSA Design Certified for Installation on Combustible Floors
- 3 Year Limited Warranty on Heat Exchanger

Optional Equipment

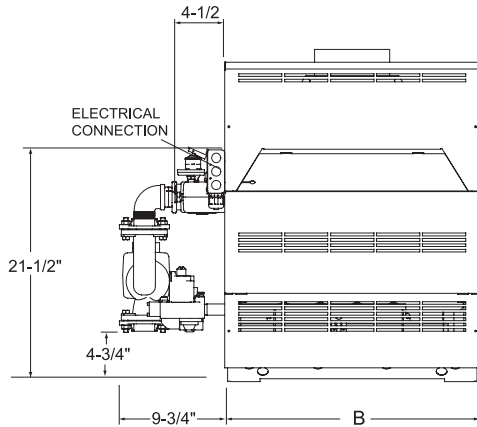
Place an X in the box by all options that apply

- Adjustable High Limit w/ Manual Reset
- Contacts on any Failure (CW 315-500)
- Contacts for Air Louvers (CW 315-500)
- Cupro-Nickel Heat Exchanger
- Flow Switch
- Low Water Cut-Off
- Multi-Stack Frame

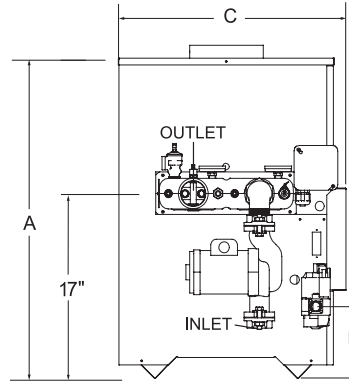
Firing Controls

- F1 - Standing Pilot (Standard CW 90-270)
- F9 - Intermittent Spark Ignition (Standard CW 315-500)
- F13 - GE GAP/FM/IRI
- F7 - California Code (CW 225-500)

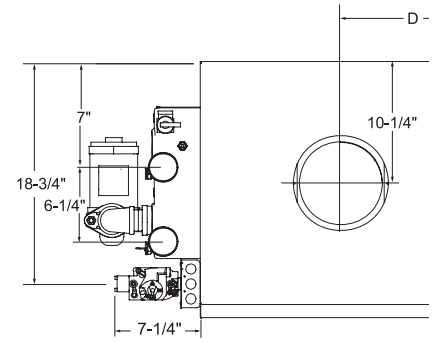
Copper-Fin® Preassembled Gas Water Heater Packaged Systems Dimensions & Specifications



Front View



Side View



NOTE: Gas valve is located inside the unit on CW399 & 500 models.

Top View

Model Number	Btu/Hr Input	GPH @ 100°F Rise	A	B	C	D	Vent Size	Gas Conn.	Shipping Weight
CWN090PM	90,000	89	29-1/2"	15-1/2"	21-1/2"	7-3/4"	5"	1/2"	175
CWN135PM	135,000	134	29-1/2"	19-1/2"	21-1/2"	9-3/4"	6"	1/2"	195
CWN180PM	180,000	179	29-1/2"	23-1/2"	21-1/2"	11-3/4"	7"	3/4"	220
CWN199PM	199,999	198	29-1/2"	26-1/2"	21-1/2"	13-1/4"	7"	3/4"	230
CWN225PM	225,000	224	29-1/2"	26-1/2"	21-1/2"	13-1/4"	7"	3/4"	235
CWN270PM	270,000	268	29-1/2"	29 1/2"	21 1/2"	14 3/4"	8"	3/4"	240
CWN315PM	315,000	313	29-1/2"	32-1/2"	21-1/2"	16-1/4"	8"	3/4"	250
CWN360PM	360,000	358	29-1/2"	35-1/2"	21-1/2"	17-3/4"	9"	1"	270
CWN399PM	399,999	397	29-1/2"	44-1/2"	22"	22-1/4"	10"	1"	340
CWN500PM	500,000	497	34-1/2"	52-1/2"	22"	26-1/4"	10"	1"	365

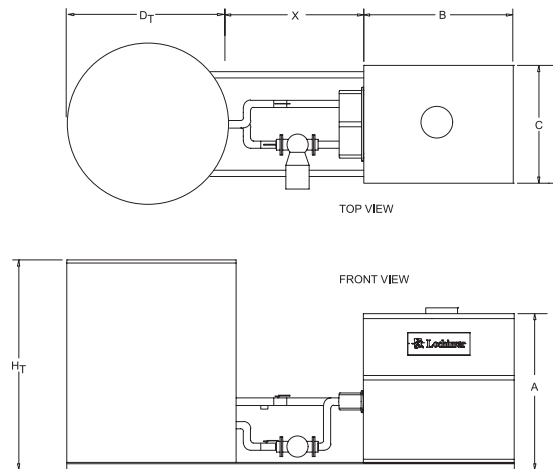
Notes: Change 'N' to 'L' to denote L.P. gas models
 Water connections are 2" NPT on 6-1/4" centers
 Approved for indoor installation only
 Performance data based on manufacturer test results

Electrical Requirements: 120 VAC / 5.6 AMP

Copper-Fin® Preassembled Gas Water Heater Packaged Systems Dimensions & Specifications

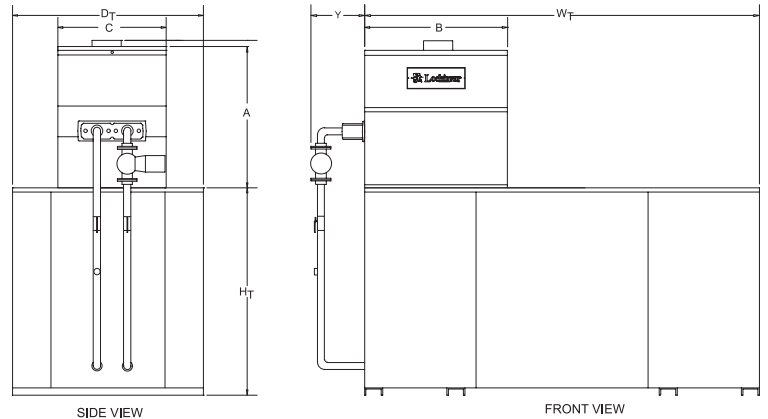
PS Configuration

CW 90-500 with a 119-504 gallon capacity Jacketed and Insulated Lock-Temp Vertical Tank.



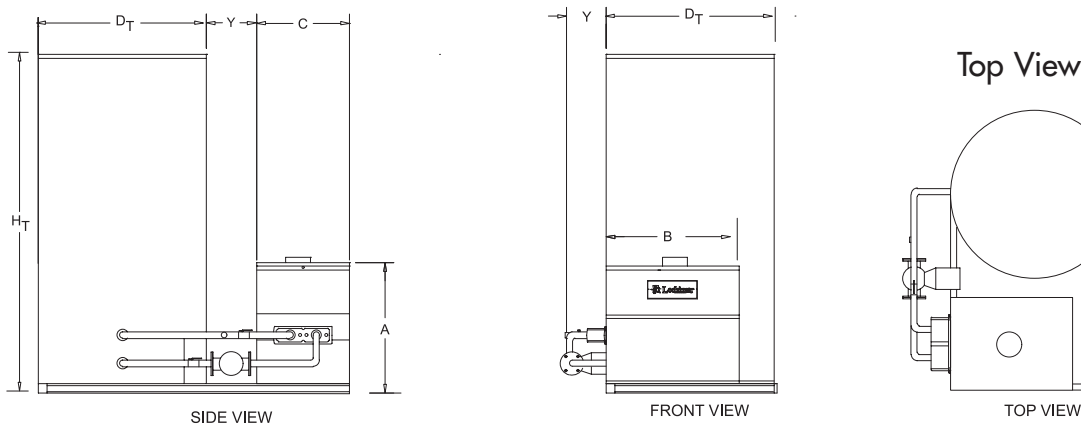
PT Configuration

CW 90-500 with a 300 to 1000 gallon capacity Jacketed and Insulated Lock-Temp Horizontal Tank.



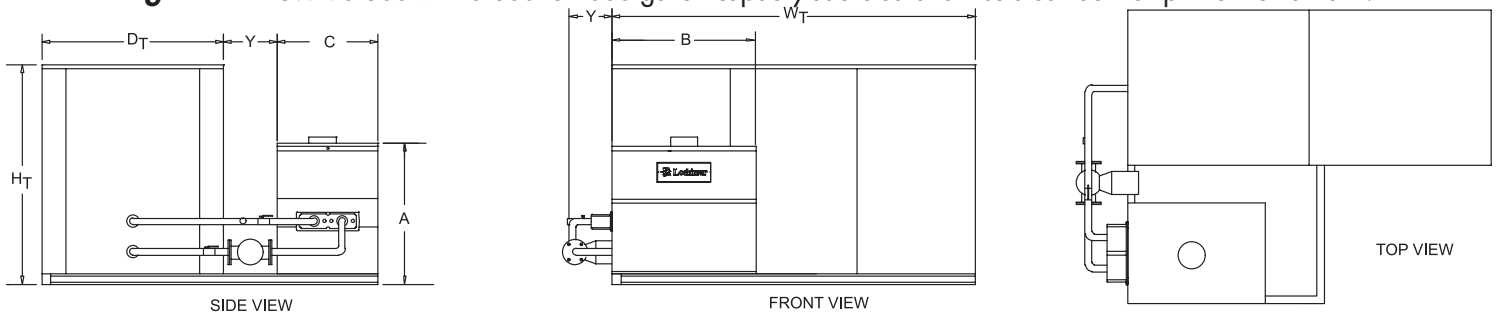
PU Configuration

CW 90-500 with a 119-504 gallon capacity Jacketed and Insulated Lock-Temp Vertical Tank.



PW Configuration

CW 90-500 with a 300 to 1000 gallon capacity Jacketed and Insulated Lock-Temp® Horizontal Tank.



VERTICAL TANK DIMENSIONS			
Gallon	H_T	D_T	Weight
119	62-1/2"	28"	345
200	77-1/4"	32"	600
257	92"	34"	1108
318	81"	40"	1290
432	81"	46"	1,512
504	92"	46"	1,623

PIPING DIMENSIONS	
X	Y
42"	12"

Note: For Heater Dimensions "A", "B", "C" Consult Dimensions and Specifications Table.

HORIZONTAL TANK DIMENSIONS				
Gallons	H_T	W_T	D_T	Weight
300	50-1/2"	78-1/4"	42-1/4"	1,575
400	50-1/2"	102-1/4"	42-1/4"	1,978
500	56-1/2"	90-3/4"	48-1/4"	2,178
600	56-1/2"	114-1/4"	48-1/4"	2,520
700	56-1/2"	130-1/4"	48-1/4"	3,025
800	62-1/2"	124-1/4"	54-1/4"	3,159
1,000	62-1/2"	138-1/4"	54-1/4"	4,082

NOTE: If overall dimensions are critical consult factory.
All package systems are skid mounted.



Lochinvar®
High Efficiency Water Heaters, Boilers and Pool Heaters



Lochinvar Corporation • 300 Maddox Simpson Pkwy • Lebanon, TN 37090 • 615-889-8900/Fax: 615-547-1000

www.Lochinvar.com