



**COPPER-FIN®
WATER HEATER
Submittal Sheet**

CWP-Sub-15

COPPER-FIN® GAS WATER HEATERS (MODELS CW497-2067)

JOB NAME _____
LOCATION _____
ENGINEER _____
WHOLESALE _____
MECH. CONTRACTOR _____
MODEL NO. _____
TYPE GAS _____
Btu/hr INPUT _____
RECOVERY RATE IN GPH _____ @ _____ °F RISE
NOTES

Standard Features

- 81% Thermal Efficiency
- Electronic Temperature Control
- Fan Assisted Combustion
- Sealed Combustion Chamber
- Stainless Steel Burners
- Low NOx Operation Exceeds the most Stringent Air Quality Requirements
- ASME Copper Finned Tube Heat Exchanger
- 160 psi Working Pressure
- Gasketless Heat Exchanger Design
- All Bronze Circulating Pump
- Pump Delay w/ Freeze Protection
- Remote Tank Thermostat
- Glass-Lined Water Surfaces
- Referenced Gas Valves
- Loch-Heat Ceramic Tile Combustion Chamber
- Hot Surface Ignition
- ASME Temperature & Pressure Relief Valve
- Adjustable High Limit w/ Manual Reset
- Flow Switch
- 24 Volt Control System
- BMS Terminal Strip
- Combustion Air Filter
- 5 Year Limited Warranty on Heat Exchanger
(See warranty for details)

Optional Equipment

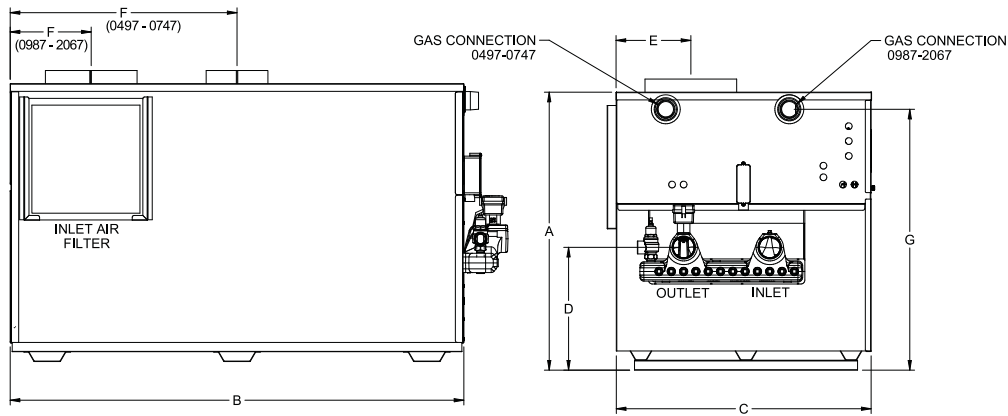
- Alarm Bell
- Contacts on any Failure
- Contacts for Air Louvers
- Cupro-Nickel Heat Exchanger
- High and Low Gas Pressure Switch w/ Manual Reset
- Low Water Cut-Off
- Stack Frame
- MP2 Sequencer

Available Firing Systems

- M9 HSI (Standard)
- M7 California Code

Registered under U.S. Patent 5,989,020

Copper-Fin® Gas Water Heater Dimensions & Specifications



Model Number	Input Max. Btu/hr	GPH @ 100°F Rise	Dimensions (inches)							Inlet Gas Conn.	Inlet Water Conn.	Outlet Water Conn.	Vent Size	Shipping Weight
			A	B	C	D	E	F	G					
CWNO497PM	495	486	31-1/2"	45-1/4"	22-1/4"	12-1/2"	9-1/2"	22-3/4"	29-1/2"	1-1/4"	2"	2"	6"	490
CWNO647PM	645	633	31-1/2"	56-3/4"	22-1/4"	12-1/2"	9-1/2"	28-1/2"	29-1/2"	1-1/4"	2"	2"	8"	555
CWNO747PM	745	731	31-1/2"	64"	22-1/4"	12-1/2"	9-1/2"	32"	29-1/2"	1-1/4"	2"	2"	8"	610
CWNO987PM	985	967	36"	48-1/4"	33-1/2"	15-3/4"	8-1/2"	8-1/2"	33-1/4"	2"	2-1/2"	2-1/2"	10"	900
CWN1257PM	1,255	1,232	36"	58-1/2"	33-1/2"	15-3/4"	9-1/2"	10-1/2"	33-1/4"	2"	2-1/2"	2-1/2"	12"	1,020
CWN1437PM	1,435	1,409	36"	68-3/4"	33-1/2"	15-3/4"	10-1/2"	10-1/2"	33-1/4"	2"	2-1/2"	2-1/2"	12"	1,065
CWN1797PM	1,795	1,762	36"	82-1/4"	33-1/2"	15-3/4"	11"	11"	33-1/4"	2"	2-1/2"	2-1/2"	14"	1,265
CWN2067PM	2,065	2,027	36"	92-1/2"	33-1/2"	15-3/4"	11"	11"	33-1/4"	2"	2-1/2"	2-1/2"	14"	1,400

Change 'N' to 'L' for LP gas models.

Water connections for models (CW 0497-0747) are 2" NPT on 6-1/2" centers.

Performance data is based on manufacturer test results.

Water connections for models (CW 0987-2067) are 2-1/2" NPT on 11-1/4" centers.

Venting Options

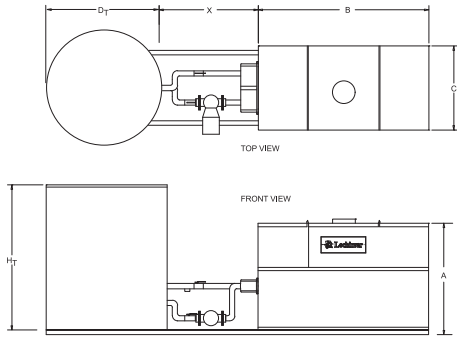
Outdoor Vent Cap and Pump Cover

Model No.	Fans	Controls	Pump	Approx. Total Amps
497	3.6	3.6	5.8	13
647	3.6	3.6	5.8	13
747	3.6	3.6	5.8	13
987	3.4	4.6	7.4	15.4
1257	3.4	4.6	7.4	15.4
1437	3.8	4.6	7.4	15.8
1797	3.8	4.6	7.4	15.8
2067	3.8	4.6	7.4	15.8

Copper-Fin® Package Systems Gas Water Heater Dimensions & Specifications

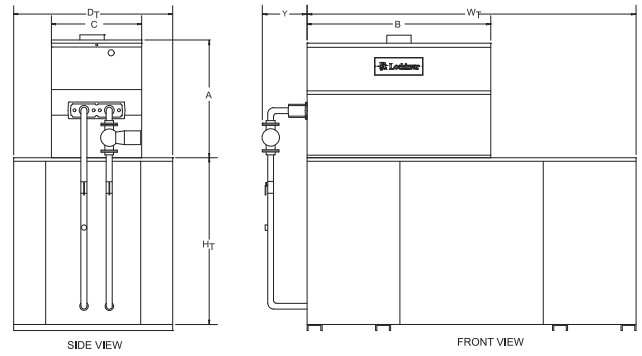
PS Configuration

CW 0497-2067 with a 119-504 gallon capacity Jacketed and Insulated Lock-Temp Vertical Tank.



PT Configuration

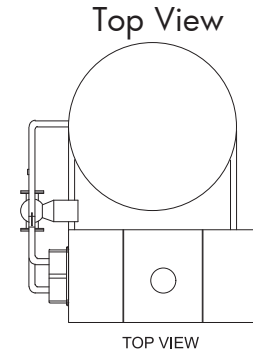
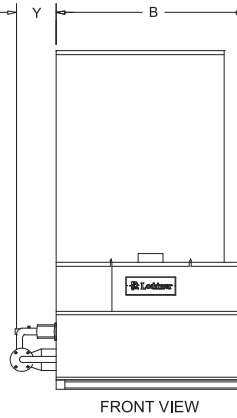
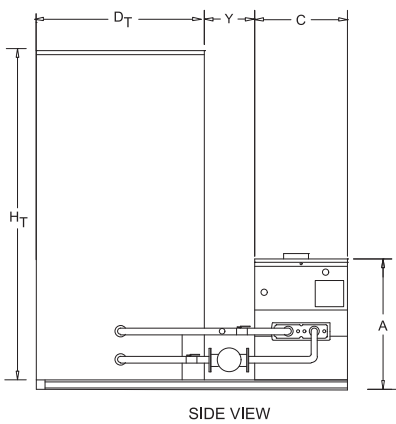
CW 0497-2067 with a 300 to 2500 gallon capacity Jacketed and Insulated Lock-Temp Horizontal Tank.



NOTE: Tank must be a larger diameter than the heater on PT configuration.

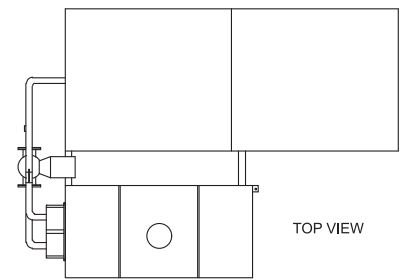
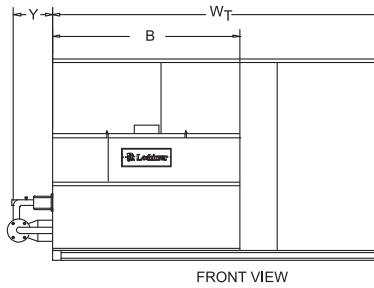
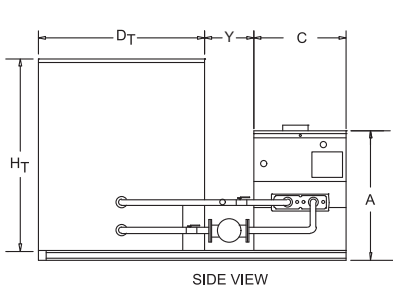
PU Configuration

CW 0497-2067 with a 119-504 gallon capacity Jacketed and Insulated Lock-Temp Vertical Tank.



PW Configuration

CW 0497-2067 with a 300 to 2500 gallon capacity Jacketed and Insulated Lock-Temp® Horizontal Tank.



VERTICAL ROUND JACKETED TANK DIMENSIONS			
Gallon	H _T	D _T	Weight
119	62-1/2"	28"	345
200	77-1/4"	32"	600
257	91"	34"	1108
318	80"	40"	1290
432	80"	46"	1,512
504	92"	46"	1,623

PIPING DIMENSIONS	
X	Y
42"	12"

Note: For Heater Dimensions "A", "B", "C" Consult Dimensions and Specifications Table on Back Page.

HORIZONTAL SQUARE JACKETED TANK DIMENSIONS				
Gallons	H _T	W _T	D _T	Weight
300	48-1/2"	78-1/4"	42-1/4"	1,610
400	55-1/2"	78-1/4"	48-1/4"	1,840
500	55-1/2"	90-3/4"	48-1/4"	1,950
600	61-1/2"	90-3/4"	54-1/4"	2,460
800	61-1/2"	102-1/4"	54-1/4"	3,000
1,000	61-1/2"	126-1/4"	54-1/4"	3,200
1,250	67-1/2"	130-1/4"	60-1/4"	3,940
1,500	73-1/2"	126-1/4"	66-1/4"	4,560
2,000	79-1/2"	137-1/4"	72-1/4"	4,810
2,500	85-1/2"	144-1/4"	78-1/4"	6,370

NOTE: If overall dimensions are critical consult factory.

All package systems are skid mounted.

*Add 3" to tank H_T for I-Beam skid.



Lochinvar, LLC
300 Maddox Simpson Parkway
Lebanon, Tennessee 37090
P: 615-889-8900 / F: 615-547-1000
www.Lochinvar.com

