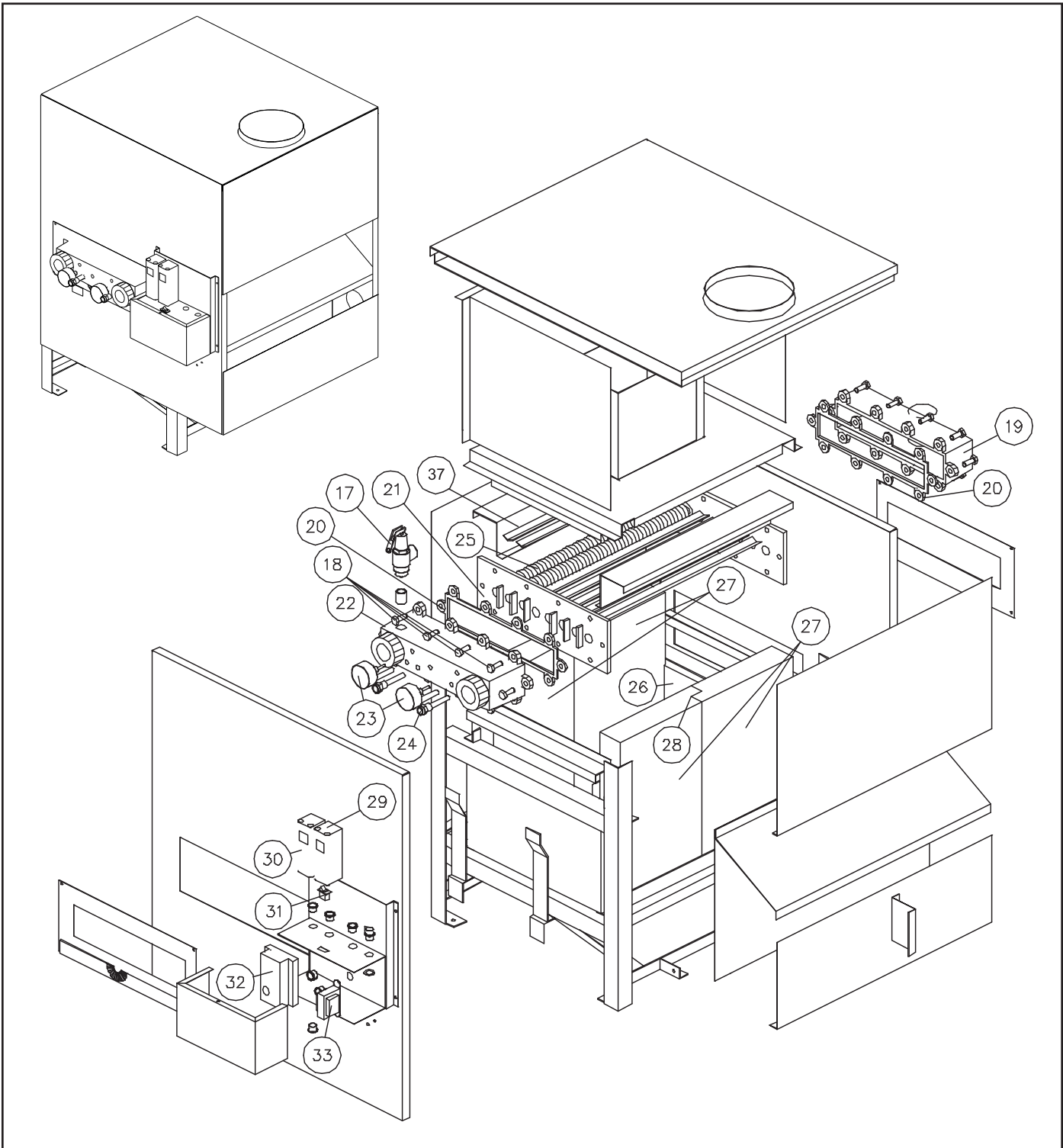




PARTS & SERVICE DEPARTMENT
 Nashville, Tennessee
 615-889-8900 / Fax: 615-547-1000
 www.Lochinvar.com

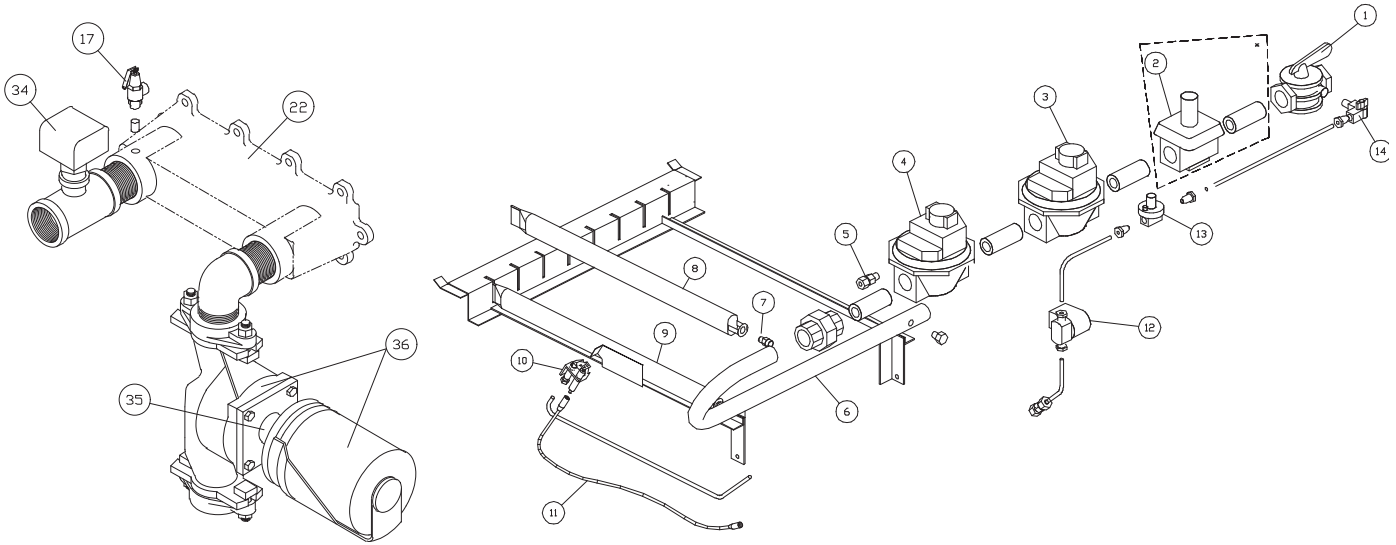
Replacement Parts List

Copper-Fin®
Boilers—Water Heaters — Pool Heaters
CB-CW-CS 475—3080

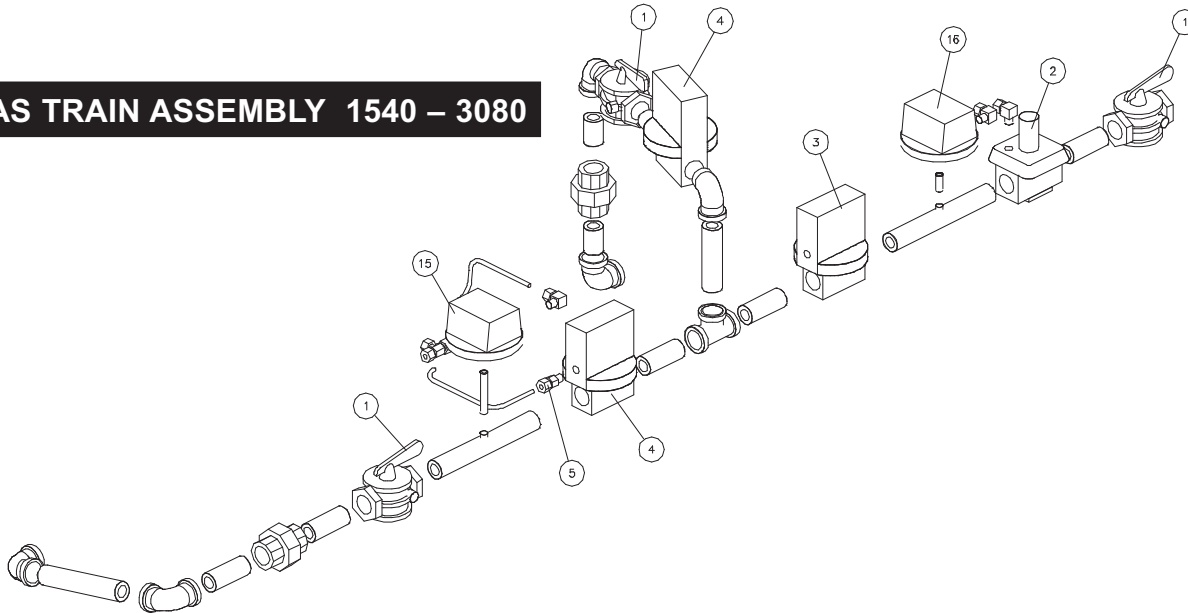


PUMP ASSEMBLY FOR WATER HEATERS

GAS TRAIN ASSEMBLY 475 – 1350



GAS TRAIN ASSEMBLY 1540 – 3080



ITEM NO.	PART NO.	DESCRIPTION	MODEL NO.
GAS TRAIN ASSEMBLIES			
1	GAC2029	1" GAS COCK, MANUAL	475-940
1	GAC2030	1-1/3" GAS COCK, MANUAL	1120-1350
1	GAC2031	1-1/2" GAS COCK, MANUAL	CW/CS 1540
1	GAC2032	2" GAS COCK, MANUAL	CW/CS 1700-2620, CB 1540
1	GAC2033	2-1/2" GAS COCK, MANUAL	3080
2	PRV2014	2" REGULATOR GAS PRESSURE, NAT.	1700-3080, CB 1540
2	PRV2016	1-1/2" REGULATOR GAS PRESSURE, NAT.	CW/CS 1540
2	PRV2002	1" REGULATOR GAS PRESSURE, LPG.	665-940
2	PRV2003	1-3/4" REGULATOR GAS PRESSURE, LPG.	1120-1350
2	PRV2003	2" REGULATOR GAS PRESSURE, LPG.	1700-3080, CB 1540
2	PRV2006	1-1/2" REGULATOR GAS PRESSURE, LPG.	CW/CS 1540
3	VAL2022	VALVE WITH REGULATOR, NAT (TO SERIAL C85)	CBN/CWN475-570
3	VAL2018	VALVE WITH REGULATOR, NAT (SERIAL C85 TO I85)	CBN/CWN475-570
3	VAL2915	VALVE WITH REGULATOR, NAT (AFTER SERIAL I85)	CBN/CWN475-570
3	VAL2916	VALVE WITH REGULATOR, LPG	CBL/CWL475-570
3	VAL2022	VALVE WITH REGULATOR, NAT OR LPG (TO SERIAL C85)	CB(N,L)/CW(N,L)665-740
3	VAL2018	VALVE WITH REGULATOR, NAT OR LPG (AFTER SERIAL C85)	CB(N,L)/CW(N,L)665-740
3	VAL2107	VALVE WITH REGULATOR, NAT	CBN/CWN940
3	VAL2018	VALVE WITH REGULATOR, LPG	CBL/CWL940

* INDICATES ALL MODELS UNLESS OTHERWISE NOTED.

** SPECIFY IF 3/4" RELIEF VALVE TAPPING IS REQUIRED WHEN ORDERING.

NOTE: CB = BOILERS, CW = WATER HEATERS AND CS = POOL HEATERS

PLEASE HAVE MODEL NUMBER AND SERIAL NUMBER WHEN ORDERING PARTS.

ITEM NO.	PART NO.	DESCRIPTION	MODEL NO.
GAS TRAIN ASSEMBLIES (Continued)			
3	VAL2023	VALVE WITH REGULATOR, NAT (TO SERIAL C85)	CBN/CWN1120-1350
3	VAL2108	VALVE WITH REGULATOR, NAT (AFTER SERIAL C85)	CBN/CWN1120-1350
3	VAL2019	VALVE WITH REGULATOR, LPG	CBL/CWL1120-1350
3	VAL2024	VALVE WITH REGULATOR, NAT OR LPG (TO SERIAL I85)	CW(N,L)1540
3	VAL2023	VALVE WITH REGULATOR, NAT OR LPG (AFTER SERIAL I85)	CW(N,L)1700-2620
3	VAL2045	VALVE WITH REGULATOR, NAT OR LPG (AFTER SERIAL I85)	CB(N,L)1700-3080
3	VAL2024	VALVE WITH REGULATOR, NAT OR LPG (TO SERIAL I85)	CW(N,L)3080
3	VAL2045	VALVE WITH REGULATOR, NAT OR LPG (AFTER SERIAL I85)	CW(N,L)3080
4	VAL2101	VALVE, GAS AUTO	CB(N,L)/CW(N,L)665-940
4	VAL2102	VALVE, GAS AUTO	CB(N,L)/CW(N,L)1120-1350
4	VAL2044	VALVE, GAS AUTO	CB(N,L)/CW(N,L)1540 & 3080
4	VAL2019	VALVE, GAS AUTO	CB(N,L)/CW(N,L)1700-2620
5	VAL2001	BLEED VALVE	1540-3080
6	MAN2102	MANIFOLD, GAS	475
6	MAN2104	MANIFOLD, GAS	570
6	MAN2106	MANIFOLD, GAS	665
6	MAN2108	MANIFOLD, GAS	760
6	MAN2110	MANIFOLD, GAS	855
6	MAN2112	MANIFOLD, GAS	940
6	MAN2010	MANIFOLD, GAS	1120
6	MAN2011	MANIFOLD, GAS	1210
6	MAN2012	MANIFOLD, GAS	1350
6	MAN2013	MANIFOLD, GAS	1540
6	MAN2014	MANIFOLD, GAS	1700
6	MAN2015	MANIFOLD, GAS	2000
6	MAN2016	MANIFOLD, GAS	2310
6	MAN2017	MANIFOLD, GAS	2620
6	MAN2018	MANIFOLD, GAS	3080
7	ORF2004	ORIFICE MAIN BURNER, NAT.	475-1350
7	ORF2000	ORIFICE MAIN BURNER, NAT.	1540-3080
7	ORF2005	ORIFICE MAIN BURNER, NAT.	475-1350
7	ORF2001	ORIFICE MAIN BURNER, LPG.	1540-3080
8	BNR2001	BURNER MAIN W/O BRACKET	475-1350
8	BNR2003	BURNER MAIN W/O BRACKET	1540-3080
9	BNR3002	BURNER MAIN WITH BRACKET	475-1350
9	BNR3004	BURNER MAIN WITH BRACKET	1540-3080
10	PLT1103	PILOT Q179A-1118 NAT, F3,F5,F9 (TO SERIAL # C82)	CBN/CWN475-1350
10	PLT1105	PILOT Q179B-1117 NAT, F2,F4 (TO SERIAL # C82)	CBN/CWN475-1350
10	PLT2001	PILOT Q179D-1057 NAT, F2,F4 (BEGIN SERIAL # C82)	CBN/CWN475-1350
10	PLT2003	PILOT Q179C-1058 NAT, F3,F5 (BEGIN SERIAL # C82)	CBN/CWN475-1350
10	PLT2303	F9 (SERIAL # C82 TO I85)	CBN/CWN475-1350
10	PLT2905	PILOT NAT, F9 (BEGIN SERIAL # I85)	CBN/CWN475-1350
10	PLT1104	PILOT Q179A-1118 LPG, F3,F5,F9 (TO SERIAL # C82)	CBL/CWL475-1350
10	PLT1106	PILOT Q179B-1117 LPG, F2,F4 (TO SERIAL # C82)	CBL/CWL475-1350
10	PLT2002	PILOT Q179D-1057 LPG, F2,F4 (BEGIN SERIAL # C82)	CBL/CWL475-1350
10	PLT2004	PILOT Q179C-1058 LPG, F3,F5,F9 (SERIAL # C82 TO I85)	CBL/CWL475-1350
10	PLT2907	PILOT LPG, F3,F5,F9 (BEGIN SERIAL # I85)	CBL/CWL475-1350
10	PLT2905	PILOT NAT, F9,M9	CBN/CWN1540-3080
10	PLT2016	PILOT SECONDARY, M2,M3,M4,M5,M9	CBN/CWN1540-3080
10	PLT2907	PILOT NAT, F9,M9	CBL/CWL1540-3080
10	PLT3028	PILOT SECONDARY, M2,M3,M4,M5,M9	CBL/CWL1540-3080
11	WRE2031	SPARK IGNITION CABLE	ALL
12	VAL2033	VALVE GAS PILOT	665-3080
13	PRV2010	REGULATOR PILOT PRESSURE	665-3080
14	GAC2027	GAS COCK PILOT	665-3080
15	PRS2044	PRESSURE SWITCH, LOW GAS	2620 & 3080
16	PRS2045	PRESSURE SWITCH, HIGH GAS W/M-R	2620 & 3080
HEAT EXCHANGERS			
21	HEX3201	HEAT EXCHANGER	475
21	HEX3202	HEAT EXCHANGER	570
21	HEX3203	HEAT EXCHANGER	665
21	HEX3204	HEAT EXCHANGER	760
21	HEX3205	HEAT EXCHANGER	855
21	HEX3206	HEAT EXCHANGER	940
21	HEX3208	HEAT EXCHANGER	1120
21	HEX3209	HEAT EXCHANGER	1210
21	HEX3211	HEAT EXCHANGER	1350
21	HEX3212	HEAT EXCHANGER	1540
21	HEX3213	HEAT EXCHANGER	1700
21	HEX3214	HEAT EXCHANGER	2000
21	HEX3215	HEAT EXCHANGER	2310
21	HEX3216	HEAT EXCHANGER	2620
21	HEX3217	HEAT EXCHANGER	3080

ITEM NO.	PART NO.	DESCRIPTION	MODEL NO.
HEAT EXCHANGERS (Continued)			
37	JKC6507	V-BAFFLE	475
37	JKC6508	V-BAFFLE	570-665
37	JKC6510	V-BAFFLE	760
37	JKC6511	V-BAFFLE	855
37	JKC6512	V-BAFFLE	940
37	JKC6513	V-BAFFLE	1120-1210
37	JKC6515	V-BAFFLE	1350
37	JKC6291	V-BAFFLE	1540
37	JKC6292	V-BAFFLE	1700
37	JKC6293	V-BAFFLE	2000
37	JKC6294	V-BAFFLE	2310
37	JKC6295	V-BAFFLE	2620
37	JKC6296	V-BAFFLE	3080
CONTROLS & GAUGES			
23	GTP3000	TEMPERATURE GAUGE 2"	ALL CW & CS
23	GTP2900	TEMPERATURE & PRESSURE GAUGE	ALL CB
29	TST2006	THERMOSTAT, OPERATOR	ALL CB & CW
29	TST2025	THERMOSTAT, OPERATOR	ALL CS
30	TST2014	THERMOSTAT, HI LIMIT	ALL
30	TST2005	THERMOSTAT, HI FIRE (M9 ONLY)	CS
32	RLY3006	IGNITION MODULE	ALL
33	TRF2004	TRANSFORMER 50V.A.	475-1350
33	TRF2005	TRANSFORMER 75V.A.	1540-3080
34	WTR2040	FLOW SWITCH	ALL CB & CW
FIRE BRICK			
26	COM3215	FIRE BRICK END	475-1350
26	COM3223	FIRE BRICK END	1540-3080
27	COM3217	FIRE BRICK SIDE	475
27	COM3218	FIRE BRICK SIDE	570-1120
27	COM3219	FIRE BRICK SIDE	665 & 1210
27	COM3220	FIRE BRICK SIDE	760
27	COM3221	FIRE BRICK SIDE	855 & 1350
27	COM3216	FIRE BRICK SIDE	940
27	COM3224	FIRE BRICK SIDE	1540
27	COM3225	FIRE BRICK SIDE	1700
27	COM3226	FIRE BRICK SIDE	2000
27	COM3227	FIRE BRICK SIDE	2310
27	COM3228	FIRE BRICK SIDE	2620
27	COM3229	FIRE BRICK SIDE	3080
28	COM3222	FIRE BRICK FILLER (NOT PICTURED)	940-1350
28	COM3230	FIRE BRICK FILLER (NOT PICTURED)	1540-3080
MISCELLANEOUS			
17	RLV2006	RELIEF VALVE, TEMPERATURE & PRESSURE	CW/CS 475
17	RLV2007	RELIEF VALVE, TEMPERATURE & PRESSURE	CW/CS 570-3080
17	RLV2001	RELIEF VALVE, PRESSURE ONLY	ALL CB
18	BLT2001	BOLT, HEADER	ALL
19	WTR3202**	HEADER, REAR	475-1350
19	WTR2006**	HEADER REAR (TO SERIAL #H852760)	1540-3080
19	WTR3206**	HEADER, REAR (STARTING SERIAL #H852761)	1540-3080
20	GKT2001	GASKET, HEADER	475-1350
20	GKT2002	GASKET, HEADER (TO SERIAL #H852760)	1540-3080
20	GKT2003	GASKET, HEADER (STARTING SERIAL #H852761)	1540-3080
22	WTR3201	HEADER, FRONT	475-1350
22	WTR2005	HEADER, FRONT (TO SERIAL #H852760)	1540-3080
22	WTR3205	HEADER, FRONT (STARTING SERIAL #H852761)	1540-3080
24	TST2301	BULBWELL	ALL
31	MSC2017	SWITCH, ROCKER LIGHT AMBER	ALL
35	ARM1001	SEAL KIT, PUMP	ALL CW
36	ARM3042PBF	PUMP ASSEMBLY, COMPLETE	CW 475-1350
36	ARM3032PBF	PUMP ASSEMBLY, COMPLETE	CW 1540-3080
--	PRS2406	PRESSURE SWITCH (NOT PICTURED)	ALL CS
--	TST2015	HIGH LIMIT, MANUAL RESET	OPTIONAL
COPPER-FIN TUBES			
25	TUB3201	TUBE, COPPER FIN	475
25	TUB3202	TUBE, COPPER FIN	570
25	TUB3203	TUBE, COPPER FIN	665
25	TUB3204	TUBE, COPPER FIN	760
25	TUB3205	TUBE, COPPER FIN	855
25	TUB3206	TUBE, COPPER FIN	940
25	TUB3208	TUBE, COPPER FIN	1120
25	TUB3209	TUBE, COPPER FIN	1210
25	TUB3211	TUBE, COPPER FIN	1350
25	TUB2312	TUBE, COPPER FIN	1540
25	TUB3213	TUBE, COPPER FIN	1700
25	TUB3214	TUBE, COPPER FIN	2000
25	TUB3215	TUBE, COPPER FIN	2310
25	TUB3216	TUBE, COPPER FIN	2620
25	TUB3217	TUBE, COPPER FIN	3080